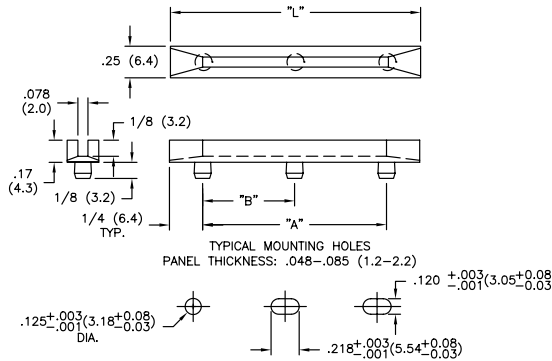
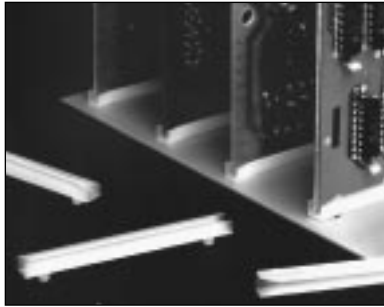


CARD GUIDES & PULLERS

RN Series Narrow Card Guide

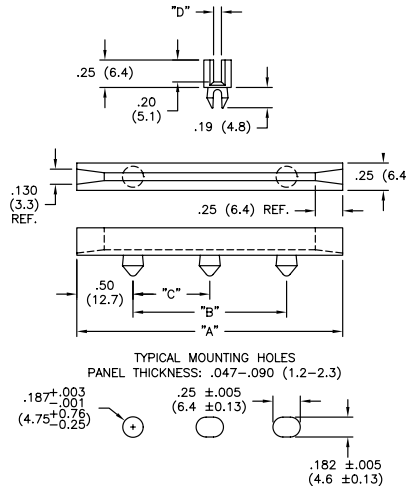


Features

- Longer lengths available with 2 or 3 pins by special order

Material: Nylon 6/6, RMS-48 Color: Natural				
Part No.	Standard Pack: 500 per bag			
	"L" ± .030 (0.8)	"A" ± .024 (0.6)	"B" ± .016 (0.4)	
RN-250-2	2.5 (63.5)	2.0 (50.8)	—	
RN-300-2	3.0 (76.2)	2.5 (63.5)	—	
RN-350-2	3.5 (88.9)	3.0 (76.2)	—	
RN-400-2	4.0 (101.6)	3.5 (88.9)	—	
RN-450-2	4.5 (114.3)	4.0 (101.6)	—	
RN-500-2	5.0 (127.0)	4.5 (114.3)	—	
RN-550-2	5.5 (139.7)	5.0 (127.0)	—	
RN-600-2	6.0 (152.4)	5.5 (139.7)	—	
RN-650-2	6.5 (165.1)	6.0 (152.4)	—	
RN-700-2	7.0 (177.8)	6.5 (165.1)	—	
RN-700-3	7.0 (177.8)	6.5 (165.1)	3.25 (82.6)	
RN-750-2	7.5 (190.5)	7.0 (177.8)	—	
RN-750-3	7.5 (190.5)	7.0 (177.8)	3.50 (88.9)	
RN-800-2	8.0 (203.2)	7.5 (190.5)	—	
RN-800-3	8.0 (203.2)	7.5 (190.5)	3.75 (95.3)	
RN-850-2	8.5 (215.9)	8.0 (203.2)	—	
RN-850-3	8.5 (215.9)	8.0 (203.2)	4.00 (101.6)	

RDC Series Deep Channel Card Guide

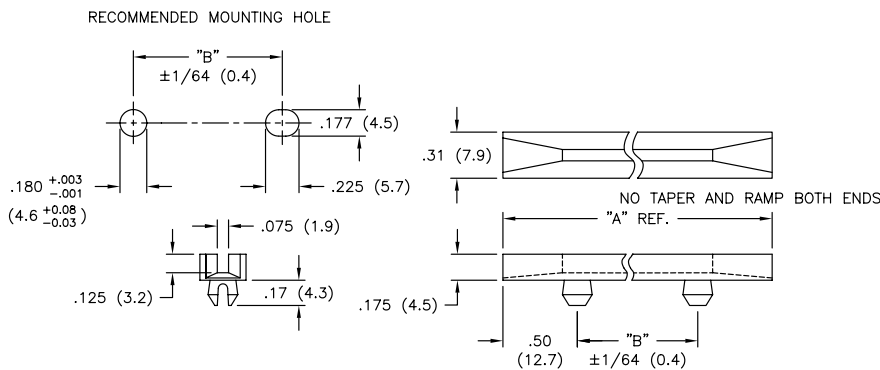


Features

- Depth of slot is .200" (5.1mm)
- Designed for mounting end to end for longer lengths

Material: Glass filled Nylon, RMS-66 with U.L. rating of 94V-0 Color: Black				
Part No.	Standard Pack: 500 per bag			
	"A" ± .062 (1.6)	"B" ± .032 (0.8)	"C" ± .015 (0.38)	
RDC-250	2.5 (63.5)	1.5 (38.1)	—	
RDC-450	4.5 (114.3)	3.5 (88.9)	—	.08 (2.0)
RDC-600	6.0 (152.4)	5.0 (127.0)	—	
RDC-800	8.0 (203.2)	7.0 (177.8)	3.50 (88.9)	
RDC-450-102	4.5 (114.3)	3.5 (88.9)	—	
RDC-600-102	6.0 (152.4)	5.0 (127.0)	—	.102 (2.6)
RDC-800-102	8.0 (203.2)	7.0 (177.8)	3.50 (88.9)	
RDC-450-130	4.5 (114.3)	3.5 (88.9)	—	
RDC-600-130	6.0 (152.4)	5.0 (127.0)	—	.132 (3.35)
RDC-800-130	8.0 (203.2)	7.0 (177.8)	3.50 (88.9)	

RSDC Series Snap-In Card Guide



Features

- Designed to hold 1/16" (16mm) thick PC boards and snap onto a plate or chassis from .047" (1.2mm) to .090" (2.3mm) thick

Material: Nylon 6/6, RMS-48 Color: Natural				
Part No.	Standard Pack: 500 per bag			Interchange with Scanbe
	"A" Ref.	"B"		
RSDC-250	2.5(63.5)	1.5 (38.1)		11633-1
RSDC-300	3.0 (76.2)	2.0 (50.8)		
RSDC-350	3.5 (88.9)	2.5 (63.5)		
RSDC-400	4.0 (101.6)	3.0 (76.2)		
RSDC-450	4.5 (114.3)	3.5 (88.9)		11633-2
RSDC-500	5.0 (127.0)	4.0 (101.6)		
RSDC-550	5.5 (139.7)	4.5 (114.3)		
RSDC-600	6.0 (152.4)	5.0 (127.0)		
RSDC-650	6.5 (165.1)	5.5 (139.7)		11633-3
RSDC-700	7.0 (177.8)	6.0 (152.4)		
RSDC-750	7.5 (190.5)	6.5 (165.1)		
RSDC-800	8.0 (203.2)	7.0 (177.8)		11633-6