



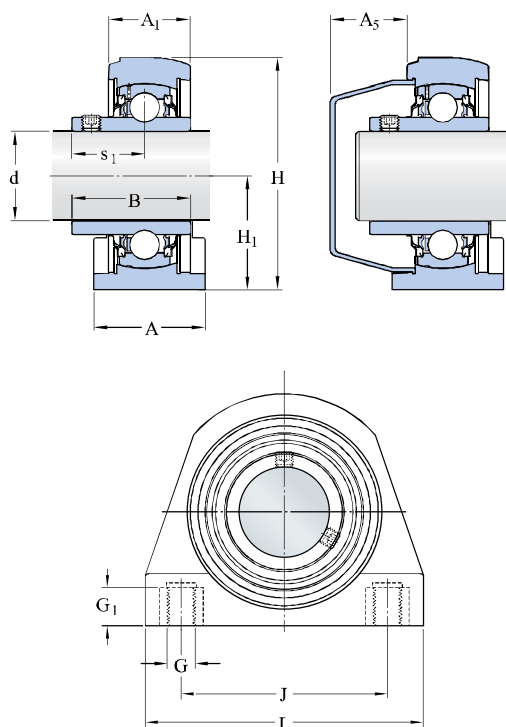

Y-bearing short base plummer block units

SYFWK 35 LTHR

Housing material

Composite for food and beverage

Dimensions



d	35	mm
A	48	mm
A ₁	32.5	mm
A ₅	28.8	mm
B	42.9	mm
H	95	mm
H ₁	47.6	mm
J	82.6	mm
L	110	mm
s ₁	25.4	mm

Calculation data

Basic dynamic load rating	C	21.6	kN
Basic static load rating	C ₀	15.3	kN
Fatigue load limit	P _u	0.65	kN
Limiting speed (with shaft tolerance h6)		3200	r/min

Mass

Mass bearing unit		0.73	kg
-------------------	--	------	----

Mounting information

Thread size attachment end	G	M10	
Thread length	G ₁	12	mm
Hexagonal key size for grub screw	N	3	mm
Recommended tightening torque for grub screw		4	N·m

Relevant products

Housing

[F 507 L](#)

Bearing

[AR 207 2RFGR/H](#)**Other products**

End cover

[CL 207](#)