



# Material Safety Data Sheet



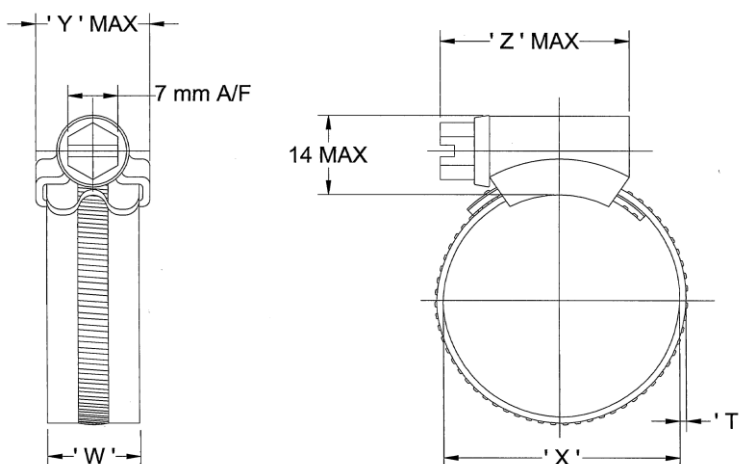
## Section 1 Company and Product Identification

L. Robinson & Company (Gillingham) Limited,  
 Incorporating Jubilee® Clips Limited  
 Owens Way, Gads Hill,  
 Gillingham,  
 Kent,  
 ME7 2RS

Tel: +44 (0)1634 281200  
 Fax: +44 (0)1634 280101

[http:// www.jubileeclips.co.uk](http://www.jubileeclips.co.uk)

Jubilee® Original Mild Steel (W1) Range,  
 manufactured to BS5315:1991



RS Part Number	Jubilee Part Number	BS No	Adjustment Range		Band Width (W)	Band Thickness (T)	(Z)	(Y)	Recommended Torque	Max Torque	Recommended Max Pressure
			mm	Inches	mm	mm	mm	mm	Nm	Nm	PSI
9088961	000MS	12	9.5 - 12	3/8 - 1/2	9.9	0.762	20.5	12.5	3.4	4.5	203
9088970	M00MS	16	11 - 16	1/2 - 5/8	9.9	0.762	20.5	12.5	3.4	4.5	203
9088973	00MS	20	13 - 20	1/2 - 3/4	9.9	0.762	20.5	12.5	3.4	4.5	203
9088977	0MS	22	16 - 22	5/8 - 3/4	13	0.914	24.5	16	4.2	5.6	203
9088986	0XMS	25	18 - 25	3/4 - 1	13	0.914	24.5	16	4.2	5.6	203
9088989	1AMS	30	22 - 30	7/8 - 1 1/8	13	0.914	24.5	16	5.1	6.8	203
9088983	1MS	35	25 - 35	1 - 1 1/8	13	0.914	24.5	16	5.1	6.8	102
9088992	1XMS	40	30 - 40	1 1/8 - 1 3/8	13	0.914	29	16	5.1	6.8	102
9088995	1MMS	45	32 - 45	1 1/4 - 1 3/4	13	0.914	29	16	5.1	6.8	102
9088999	2AMS	50	35 - 50	1 3/8 - 2	13	0.914	29	16	5.9	7.9	102
9089002	2MS	55	40 - 55	1 5/8 - 2 1/8	13	0.914	33	16	5.9	7.9	102
9089005	2XMS	60	45 - 60	1 3/4 - 2 1/4	13	0.914	33	16	5.9	7.9	102
9089009	3MS	70	55 - 70	2 1/8 - 2 3/4	13	0.914	33	16	6.7	9	102
9089018	3XMS	80	60 - 80	2 3/8 - 3 1/8	13	0.914	33	16	6.7	9	44
9089011	4MS	90	70 - 90	2 3/4 - 3 1/2	13	0.914	33	16	6.7	9	44
9089015	4XMS	100	85 - 100	3 1/4 - 4	13	0.914	33	16	6.7	9	44
9089024	5MS	120	90 - 120	3 1/2 - 4 3/4	13	0.914	33	16	6.7	9	44
9089027	6MS	140	110 - 140	4 3/8 - 5 1/2	13	0.914	33	16	6.7	9	44
9089021	6XMS	150	120 - 150	4 3/4 - 5 3/8	13	0.914	33	16	5.9	7.9	18
9089030	7MS	165	135 - 165	5 1/4 - 6 1/2	13	0.914	33	16	5.9	7.9	18
9089033	7.5MS	190	158 - 190	6 1/4 - 7 1/2	13	0.914	33	16	5.9	7.9	18
9089037	8.5MS	216	184 - 216	7 1/4 - 8 1/2	13	0.914	33	16	5.9	7.9	18

Contents								
RS Part Number	Jubilee Part Number	Description	RS Part Number	Jubilee Part Number	Qty	Adjustment Range mm	Adjustment Range Inches	
9089103	HP100MS	Handy Pack	9088961	000MS	10	9.5 - 12	3/8 - 1/2	
			9088970	M00MS	10	11 - 16	1/2 - 5/8	
			9088973	00MS	10	13 - 20	1/2 - 3/4	
			9088977	0MS	10	16 - 22	5/8 - 7/8	
			9088986	0XMS	10	18 - 25	3/4 - 1	
			9088989	1AMS	10	22 - 30	7/8 - 1 1/8	
			9088983	1MS	10	25 - 35	1 - 1 1/8	
			9088992	1XMS	10	30 - 40	1 1/8 - 1 1/2	
			9088995	1MMS	10	32 - 45	1 1/4 - 1 3/4	
			9088999	2AMS	10	35 - 50	1 1/2 - 2	
9089071	HCP143MS	Workshop Pack	9088961	000MS	24	9.5 - 12	3/8 - 1/2	
			9088970	M00MS	32	11 - 16	1/2 - 5/8	
			9088973	00MS	28	13 - 20	1/2 - 3/4	
			9088977	0MS	13	16 - 22	5/8 - 7/8	
			9088986	0XMS	13	18 - 25	3/4 - 1	
			9088989	1AMS	14	22 - 30	7/8 - 1 1/8	
			9088983	1MS	12	25 - 35	1 - 1 1/8	
			9088992	1XMS	7	30 - 40	1 1/8 - 1 1/2	
1440631	CD100MS	Clip Dispenser	9088961	000MS	10	9.5 - 12	3/8 - 1/2	
			9088970	M00MS	10	11 - 16	1/2 - 5/8	
			9088973	00MS	10	13 - 20	1/2 - 3/4	
			9088977	0MS	10	16 - 22	5/8 - 7/8	
			9088986	0XMS	10	18 - 25	3/4 - 1	
			9088989	1AMS	10	22 - 30	7/8 - 1 1/8	
			9088983	1MS	10	25 - 35	1 - 1 1/8	
			9088992	1XMS	10	30 - 40	1 1/8 - 1 1/2	
			9088995	1MMS	10	32 - 45	1 1/4 - 1 3/4	
			9088999	2AMS	10	35 - 50	1 1/2 - 2	
				N/A	FLX	3	N/A	
1440632	CD140MS	Large Clip Dispenser	9088961	000MS	10	9.5 - 12	3/8 - 1/2	
			9088970	M00MS	10	11 - 16	1/2 - 5/8	
			9088973	00MS	10	13 - 20	1/2 - 3/4	
			9088977	0MS	10	16 - 22	5/8 - 7/8	
			9088986	0XMS	10	18 - 25	3/4 - 1	
			9088989	1AMS	10	22 - 30	7/8 - 1 1/8	
			9088983	1MS	10	25 - 35	1 - 1 1/8	
			9088992	1XMS	10	30 - 40	1 1/8 - 1 1/2	
			9088995	1MMS	10	32 - 45	1 1/4 - 1 3/4	
			9088999	2AMS	10	35 - 50	1 1/2 - 2	
			9089002	2MS	10	40 - 55	1 1/2 - 2 1/8	
			9089005	2XMS	10	45 - 60	1 3/4 - 2 3/8	
			9089009	3MS	10	55 - 70	2 1/2 - 2 3/4	
			9089018	3XMS	10	60 - 80	2 3/8 - 3 1/8	
				N/A	FLX	3	N/A	
1440633	MD920MS	Mega Dispenser	9088961	000MS	100	9.5 - 12	3/8 - 1/2	
			9088970	M00MS	100	11 - 16	1/2 - 5/8	
			9088973	00MS	100	13 - 20	1/2 - 3/4	
			9088977	0MS	80	16 - 22	5/8 - 7/8	
			9088986	0XMS	80	18 - 25	3/4 - 1	
			9088989	1AMS	70	22 - 30	7/8 - 1 1/8	
			9088983	1MS	60	25 - 35	1 - 1 1/8	
			9088992	1XMS	60	30 - 40	1 1/8 - 1 1/2	
			9088995	1MMS	60	32 - 45	1 1/4 - 1 3/4	
			9088999	2AMS	60	35 - 50	1 1/2 - 2	
			9089002	2MS	50	40 - 55	1 1/2 - 2 1/8	
			9089005	2XMS	50	45 - 60	1 3/4 - 2 3/8	
			9089009	3MS	50	55 - 70	2 1/2 - 2 3/4	
				N/A	FLX	5	N/A	

## Section 2 Composition/Information on Ingredients

Composition/Information on constituents zinc coated iron alloy

Carbon	< 0.12%
Silicon	< 0.3%
Manganese	< 1.66%
Phosphorus	< 0.02%
Sulphur	< 0.004%
Chromium	< 0.5%
Aluminium	> 0.02%

Zinc coat, Coating weight < 500g/m<sup>2</sup>

Coating composition:

Zinc	> 99.6% by wt
Aluminium	< 0.4% by wt
Trace elements*	< 0.003% by wt

\*Sum of Pb and Cd

7mm AF Hex Fastening, CRVI free plating

## Section 3 First Aid Measures

Inhalation:	There are no specific symptoms associated with steel in the product forms.
Skin:	There are no specific symptoms associated with steel in the product forms.
Eyes:	Not applicable.
Ingestion:	Not applicable.

## Section 4 Fire Fighting Measures

Non flammable

## Section 5 Handling and Storage

Store in a dry area

## Section 6 Physical and Chemical Properties

Colour:	Metallic grey/silver
Smell:	None
Form/state:	Solid
Melting point:	1425 °C - 1540 °C
Max service temp:	426 °C
Min service temp:	-45 °C
Magnetism:	1500-2000 μ
Resistance:	17.2 μΩ
Density:	7.83 g/cm <sup>3</sup>

## Section 7 Stability and Reactivity

Stability:	Stable in normal condition
Reacts with:	Reacts with strong acids, and hydrogen is then one of the substances emitted. Welding/flame cutting may produce Zinc Oxide fumes.
Corrosion Resistance:	NSS (Neutral Salt Spray tests) 240hours

## Section 8 Toxicological Information

Not applicable to steel in the product forms.

## Section 9 Ecological Information

No ecological effects are known for the product as a whole.

## Section 10 Disposal Considerations

Disposal method: Recyclable, Jubilee® clips' Original Mild Steel Range are made from key raw material for the production of new steel. Steel is the world's most recycled construction material and can be recycled with retained material properties.

## Section 11 Transport Information

No special requirements are necessary in transporting these products.

## Section 12 Regulatory Information

This product conforms to EU Regulation 1097/2006 (REACH)  
This product is compliant with EU directive 2011/65/EU (ROHS2)  
BS EN ISO 9001:2008 FM00547  
BS EN ISO 14001:2004 EMS573195  
BS OHSAS 18001:2007 OHS601983  
Manufactured to BS5315:1991

Quality Assurance:



## Section 13 Other Information

The information above is believed to be accurate and represents the best information currently available to L. Robinson & Co Ltd. However, L. Robinson & Co Ltd make no warranty of merchantability or any other warranty, expressed or implied, with respect to such information, and we assume no liability resulting from its use. Users should make their own investigations to determine the suitability of the information for their particular purposes. In no event shall L. Robinson & Co Ltd be liable for any claims, losses, or damages of any third party or for lost profits or any special, indirect, incidental, consequential or exemplary damages, howsoever arising, even if L. Robinson & Co Ltd has been advised of the possibility of such damages.

**Document Issue Date: 10th July 2017**

**Revision Number: 2**