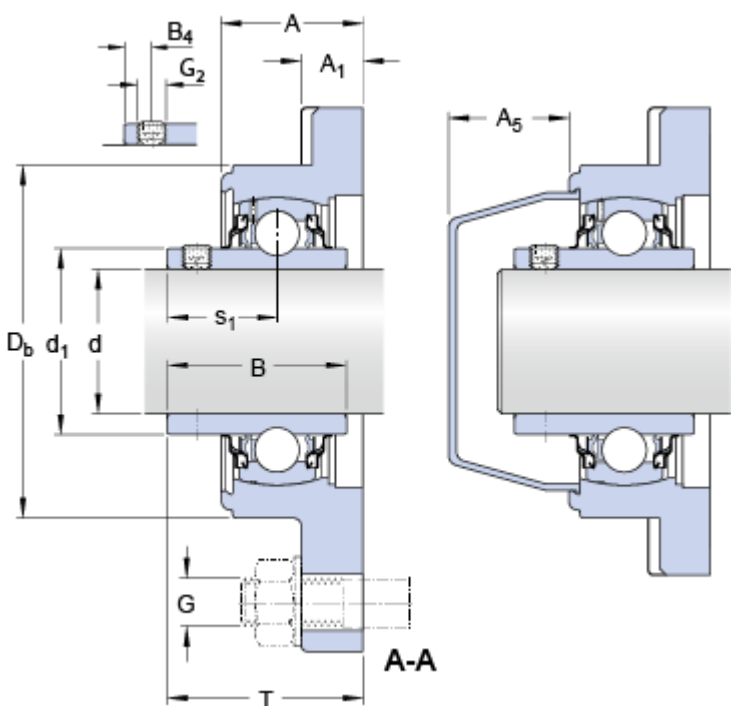


# FYWK 50 LTHR

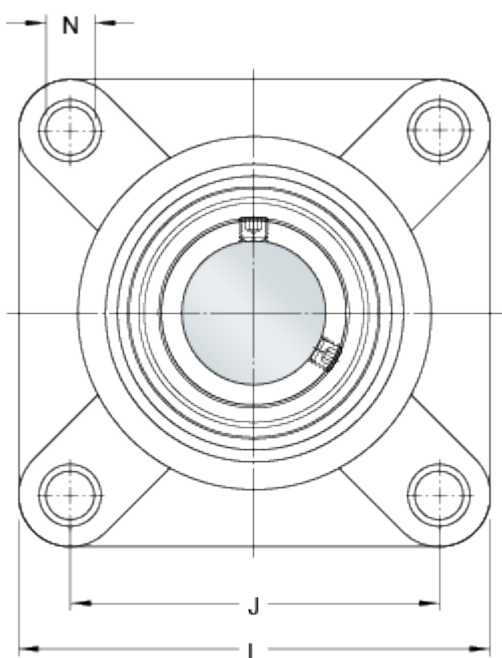
This bearing unit will be discontinued at the end of 2019, and new unit series F4BC is already available as its replacement.

Compliance with standard	ISO
Housing material	Composite for the SKF Food Line
Sealing solution	Multiple seals

## Dimensions



d	50	mm
d <sub>1</sub>	≈ 62.51	mm
A	43	mm
A <sub>1</sub>	21	mm
A <sub>5</sub>	42.7	mm
B	51.6	mm
B <sub>4</sub>	9	mm
D <sub>b</sub>	114	mm
J	111	mm
L	143	mm
N	17	mm
s <sub>1</sub>	32.6	mm
T	57.6	mm



## Calculation data

Basic dynamic load rating	C	29.6	kN
Basic static load rating	C <sub>0</sub>	23.2	kN
Fatigue load limit	P <sub>u</sub>	0.98	kN
Limiting speed		2200	r/min

with shaft tolerance h6

## Mass

---

Mass bearing unit	1.3	kg
-------------------	-----	----

## Mounting information

---

Thread grub screw	G <sub>2</sub>	M10x1	
Hexagonal key size for grub screw	N	5	mm
Recommended tightening torque for grub screw		16.5	N·m
Recommended diameter for attachment bolts, mm	G	16	mm
Recommended diameter for attachment bolts, inch	G	0.625	in

## Included products

---

Housing	FYWK 510 L
Bearing	YAR 210-2RFGR/HV

## Associated products

---

End cover	ECL 210
-----------	---------

---