



Auxiliary supply Us

Auxiliary rated supply voltage AC	VAC	100...440
Auxiliary rated supply voltage DC	VDC	120...250
Auxiliary operating voltage range		
AC	min VAC	90
	Max VAC	484
DC	min VDC	93.5
	Max VDC	300
Operational frequency	min Hz	45
	max Hz	66
Power consumption	Max VA	9.5
Power dissipation Max	W	3.5

Measuring voltage inputs

Rated voltage (Ue)	phase-phase VAC	600
	phase-neutral VAC	300
Operating voltage range	phase-phase VAC	50...720
	phase-neutral VAC	30...360
Voltage inputs operational frequency	min Hz	45
	max Hz	66
Voltage inputs measurement method		True RMS
Connection method		Single. two. three-phase with or without neutral. balanced three-phase system

Current inputs

Rated current (Ie)	A	1A/5A
Measurement range		0.025...6A
Measurement method		TRMS
Overload capacity		+20% Ie by external CT with 5A secondary
Overload peak	A	50A for 1s

Accuracy

Reference standards		IEC/EN/BS 61557-12
	VLN voltage	Class 0.2 (100-480V)

VLL voltage	Class 0.2 (177-830V)
Current	Class 0.2 (In 5A)
Frequency	Class 0.02
Active power	Class 0.5
Reactive power	Class 1
	Class 0.5
Active energy	Class 0.5s (IEC/EN 62053-22)
	Class 1
Reactive energy	Class 2 (IEC/EN 62053-23)

Insulations

Rated insulation voltage Ui IEC/EN	V	600
Rated impulse withstand voltage Uimp	kV	9.5
Operating frequency withstand voltage	kV	5.2

Functions

Harmonic analysis	15th order
PLC logic	No
Type of communication port	Ethernet
Ethernet-RS485 gateway function	No

Mechanical features

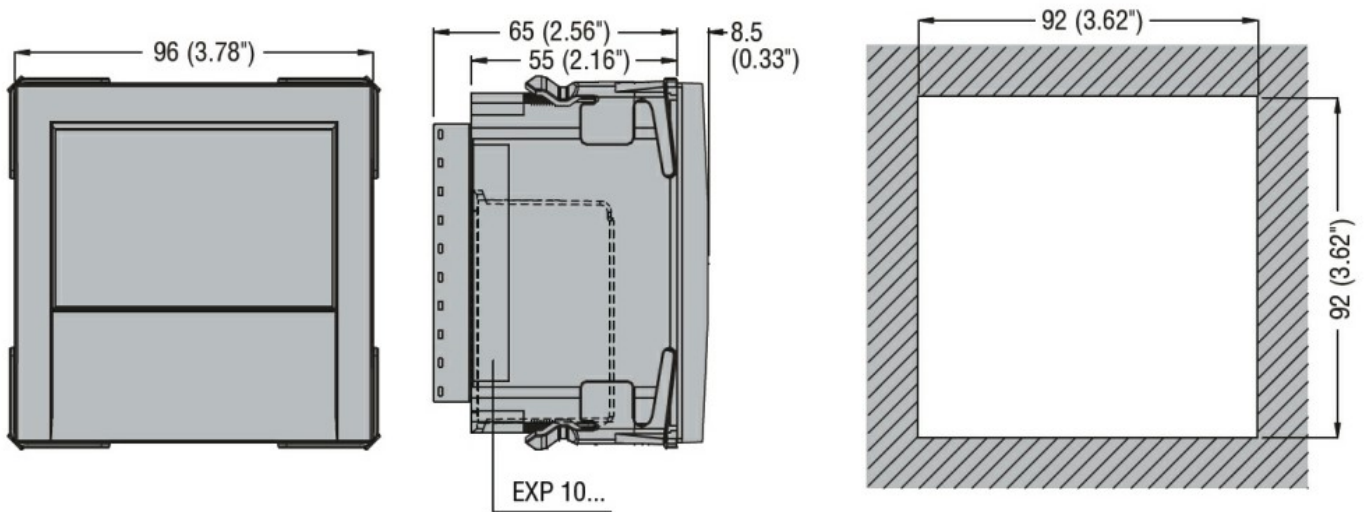
Housing type	Plyamide	
Terminals type	Removable	
Conductor cross section		
	min mm ²	0.2
	Max mm ²	2.5
	min AWG	24
	Max AWG	12

Tightening torque (Max)	
	Nm 0.5
	lbin 4.5
Fixing	Flush-mounting
Weight	g 350

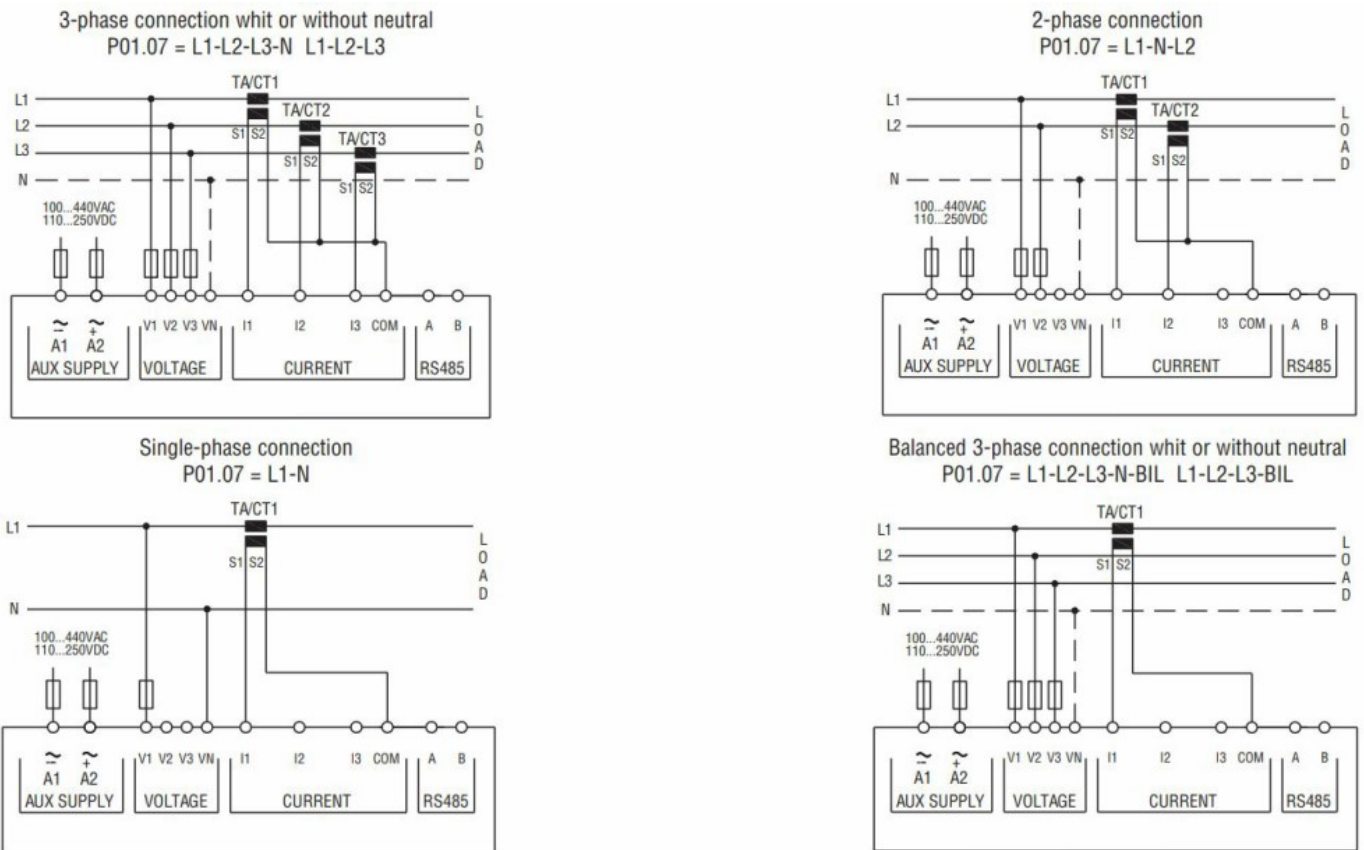
Ambient conditions

Temperature	
Operating temperature	
	min °C -20
	max °C +60
Storage temperature	
	min °C -30
	max °C +80
Relative humidity	% <90
Maximum Pollution degree	2
Protection degree	IP54 on front - IP20 terminals

Dimensions



Wiring diagrams



Certifications and compliance

Compliance

- IEC/EN 61000-6-2
- IEC/EN 61000-6-3
- IEC/EN 61010-1
- IEC/EN 61010-2-030

Certificates

- EAC
- RCM

ETIM classification



DMG620
FLUSH-MOUNT LCD MULTIMETER, EXPANDABLE. HIGH ACCURACY MEASURING OF ACTIVE ENERGY WITH CLASS 0.5S. BACKLIGHT ICON LCD, 72X46MM/2.8X1.8", HARMONIC ANALYSIS, AUXILIARY SUPPLY 100-440VAC/120-250VDC, FRONT OPTICAL PORT AND ETHERNET PORT

ETIM 8.0

EC002301 -
Multifunction
measuring
instrument