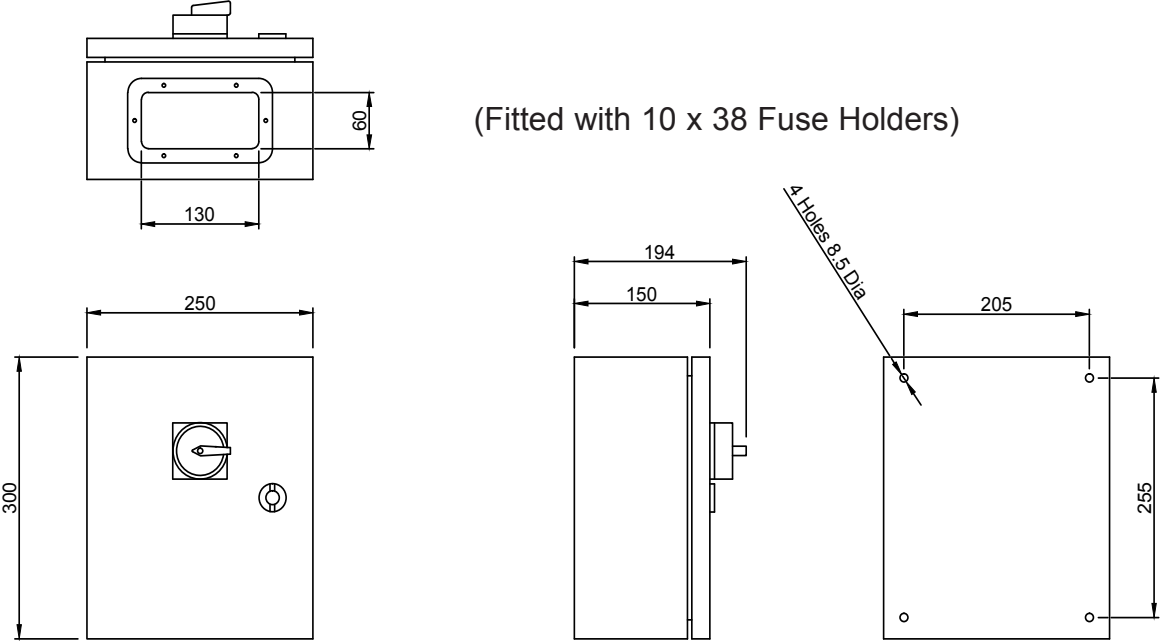


Stock No: 136-5292, 136-5293, 136-5294
RS Pro Enclosed 3P+N Switch
Disconnecter



	Load Break Switch			Fuse Holder		
Certification/ Approvals	CB, CE & SEMKO			CE, TUV		
Standards	IEC & EN 60947-3			EN60269-1/HD60269-2		
Switch Specifications 32-100A AC-22						
Data	Range	Units	136-5292 32A	136-5293 63A	136-5294 80A	
Rated operational voltage Ue						
IEC & EN	Volts	V	690	690	690	
Rated impulse withstand voltage Uimp	Volts	kV	6	6	6	
Rated uninterrupted current Iu	Amps	A	32	80	80	
Rated operational current Ie						
IEC & EN	AC-22A	Up to 690V	A	32	80	80
	AC-21A	Up to 690V	A	40	80	80
	AC-1	Up to 690V	A	40	80	80
Rated operational power AC-23A (50-60Hz)						
IEC & EN	3 Phase	230 (240V)	kW	15	37	37
		400 (415)	kW	18.5	45	45
		690V	kW	22	90	90
Rated operational power AC-3 (50-60Hz)						
IEC & EN	3 Phase	230 (240V)	kW	11	30	30
		400 (415)	kW	11	37	37
		690V	kW	15	55	55
Short Circuit Capacity (IEC)						
Max fuse size (Type gl)	Amps	A	32	80	80	
Rated Fused short circuit current	Amps	kA	30	30	30	
Terminal Specification						
Single/ Multiple strand wire	Min-mm2		2.5	2.5	2.5	
	Max-mm2		10	35	35	
Fine strand with sleeve	Min-mm2		0.75	4	4	
	Max-mm2		6	35	35	
Recommended Tightening Torque		Nm	1.7	2.5	2.5	

Dimensions - 32A



Dimensions - 63A / 80A

