

TENSATOR®

889 Advance

The 889 Advance is a clean and sleek version of the original Tensabarrier®; this contemporary design has become a classic.

Features

- Post available in the full range of colours & finishes from powder coated to chrome and stainless steel
- Mild steel posts, making them more robust than aluminium alternatives
- 36° displacement angle, preventing the post from easily toppling over
- Standard 6.3kg base weight that can be upgraded to 13kgs
- Modular cassette design offering four-point anti-tamper connection as standard
- Constant torque webbing retraction
- Originally patented Tensator centrifugal braking system
- Three tape ends for user specified applications: Anti-tamper, Panic Break, Magnetic
- 2.3m and 3.65m webbing options
- Choice of 4 base options
- Accommodates the full range of sign holders



Benefits

- The clean lines of the 889 Advance provide a stylish queuing solution
- The ultimate in flexibility, the Tensabarrier™ is easy to set up
- Guide & inform your customers & employees
- Easily achieve the optimum queue layout for your floor space with 4-way connectivity
- The Universal base has the lowest leading edge on the market* allowing you to create a more accessible environment for people with mobility issues
- Reduces customer stress by removing ambiguity as to where the customer should queue and by providing separation between individuals and queue lines
- Durable & hardwearing dye print that does not scratch or deteriorate
- Digitally printed webbing offers branding opportunities

*please be aware that the new low profile Universal base is only available in black, brushed stainless steel and polished chrome finishes. All other colours are sold with the old design. For more information contact your account manager.

MILTON KEYNES

+44 1908 684600

NEW YORK

+1 631 666 0300

DUBAI

+971 4 2997228

PARIS

+33 1 43 09 85 00

FRANKFURT

+49 69 3003 890-0

WROCLAW

+48 71 359 3800

www.tensatorgroup.com

TENSATOR®

Base Options

➤ Universal Base (889U)

With the lowest leading edge on the market* this cast iron base has a pressed steel cover, which is available in all metals & finishes. A super heavyweight option is standard and optional rubber floor protectors can be purchased.

height	970mm	tube O.D.	63.50mm
base dia.	345mm	weight	9kg

➤ Basics Base (889B)

Cast iron base covered by a highly durable NoScuff™ ABS plastic cover, the base is available in Black. Further colours are available on request.

height	970mm	tube O.D.	63.50mm
base dia.	345mm	weight	11kg

➤ Sport Base (889S)

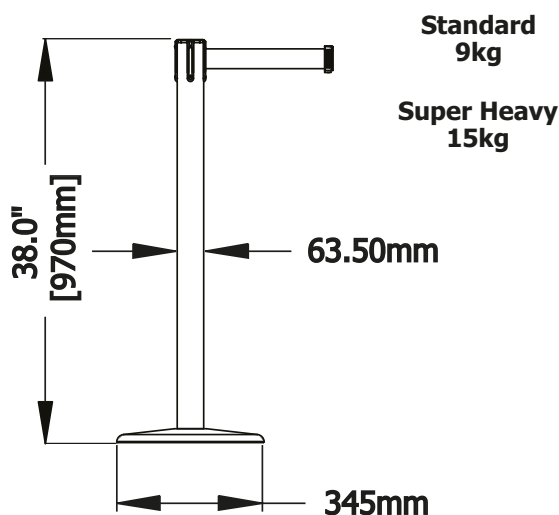
Ultra low profile base made of turned steel, available in the full range of colours & finishes.

height	942mm	tube O.D.	63.50mm
base dia.	345mm	weight	11kg

➤ Fixed (889F) & Removable (889R)

Provides added stability in applications with established traffic patterns and ensures that the post location is always correct with minimum footprint. Post can be surface fixed or socket mounted, so drilling of floors is required.

height	950mm (889F) 955mm (889R)	tube O.D.	63.50mm
base dia.	140mm	weight	5kg



*please be aware that the new low profile Universal base is only available in black, brushed stainless steel and polished chrome finishes. All other colours are sold with the old design. For more information contact your account manager.

MILTON KEYNES

+44 1908 684600

NEW YORK

+1 631 666 0300

DUBAI

+971 4 2997228

PARIS

+33 1 43 09 85 00

FRANKFURT

+49 69 3003 890-0

WROCLAW

+48 71 359 3800

www.tensatorgroup.com

DATA_TB_889_VI_MK

Owing to the dynamic nature of our business, specifications are constantly being changed and therefore this literature is for informational purposes only. For the most up to date information, please visit our website www.tensatorgroup.com. Tensator makes no warranties, express or implied, in this document. E&OE.