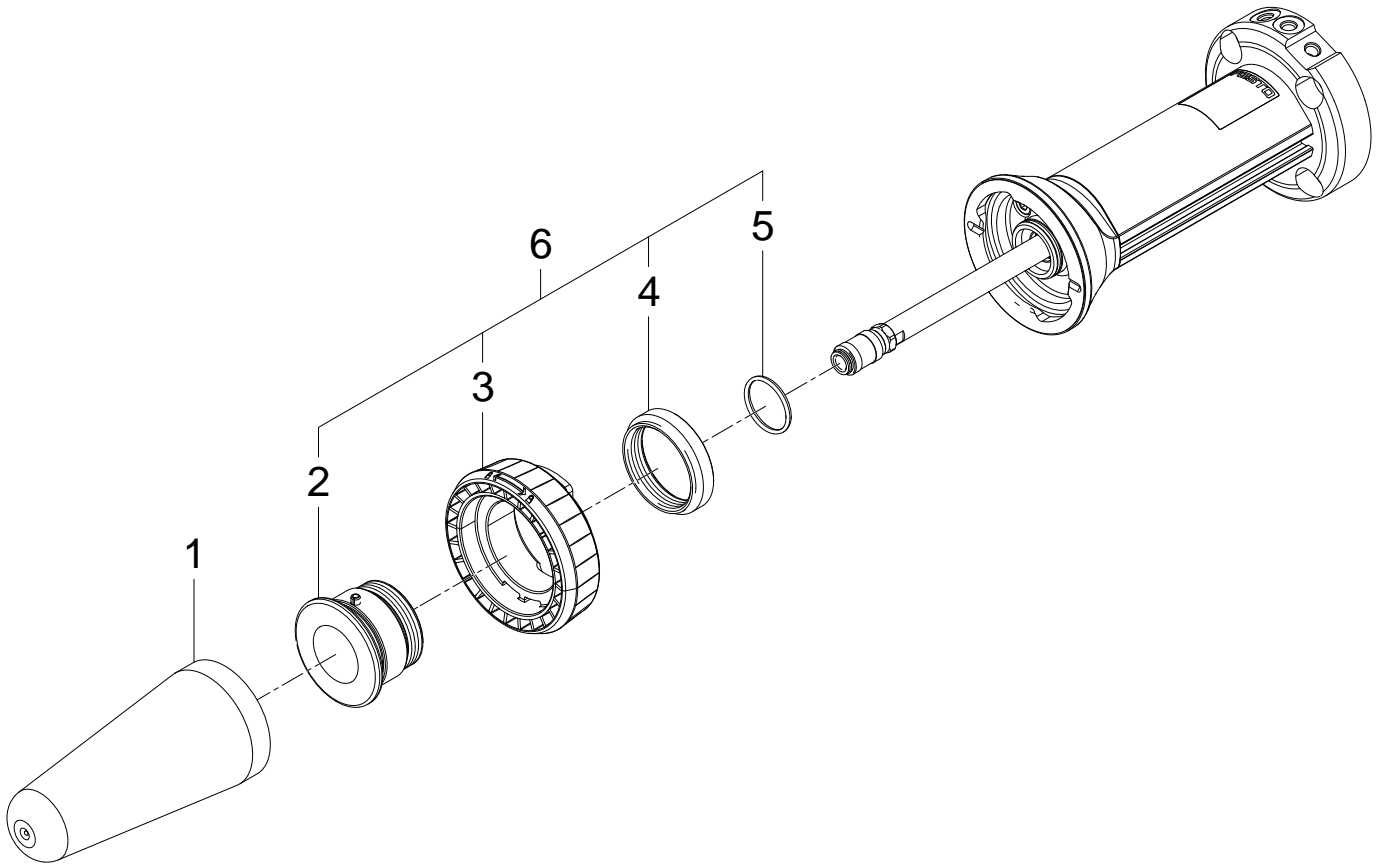


8092533 DHEF-20-A adaptive shape gripper - Series: All



8092533 DHEF-20-A adaptive shape gripper - Series: All

Pos.	Part no.	Type	Note	Qty.	Unit
1	8097634	DHAS-GA-B22-S inverting cap		1	PC
2		DHEF-20-A bushing module	Not available separately, see position 6	1	PC
3		DHEF-20-A Cover module	Not available separately, see position 6 Tightening torque 0.5 Nm / 0.4 lbf ft	1	PC
4	3343943	LRP-...-6 Knurled nut		1	PC
5	200131	B-17X1,5-N-NBR70 O-ring ISO3601		2	PC
6	8097714	DHEF-20-A-ET Cover module		1	PC