

## TECHNICAL DATA SHEET

This range of Incandescent & Halogen type beacons is a cost effective solution for signalling applications where a more robust & powerful signal is required. These beacons are of the static mode type (single stage alarm) and once the unit is energised lamp will stay permanently on. An advantage of this type of beacon is that it can be controlled via a remote source (ie. control panel / plc etc) giving the beacon greater flexibility and offering a (flashing) second stage alarm. The design allows for termination inside the enclosure through the base aperture. The lower wattage units incorporate a Fresnel lens to maximise light intensity.

Part Code:	Voltage:	Light Source:	Current:
SF201-26	12v Ac/Dc ~-	Ba15d x 5 W	0.42 A
SF201-27	24v Ac/Dc ~-	Ba15d x 5 W	0.21 A
SF201-28	12v Ac/Dc ~-	Ba15d x 10 W	0.84 A
SF201-29	24v Ac/Dc ~-	Ba15d x 10 W	0.42 A
#-62	12v Ac/Dc ~-	H1 x 55 W	4.60 A
#-63	24v Ac/Dc ~-	H1 x 70 W	2.90 A
#-05	12v Ac/Dc ~-	Ba15d x 48 W	4.00 A
#-06	24v Ac/Dc ~-	Ba15d x 48 W	2.00 A
#-07	48v Dc ---	Ba15d x 35 W	0.65 A
-\$-08	115v Ac ~	Ba15d x 60 W	0.55 A
-\$-09	230v Ac ~	Ba15d x 60 W	0.29 A
FL-09	230v Ac ~	E27 x 8 W	0.06 A

# code = SF201/SF401, \$ code = SF200/SF400, FL code = FL200/FL400

### **Lens Colour Selection**

**01** = Amber, **02** = Red, **03** = Blue, **04** = Green, **05** = Clear.

### **Key Features**

- Terminals except up to 2.5mm<sup>2</sup> cable
- Ingress Protection: Weatherproof to IP65
- Case Material: UV Stable Polycarbonate Lens, UV Stable ABS Base
- Operating Temperature: -25<sup>o</sup>c to +55<sup>o</sup>c
- Continuously Rated
- AC Supply: 50/60Hz as standard

### **Optional Equipment**

- 50001 Mounting Bracket (SF201/200 series only)
- 50004 Mounting Bracket (SF401/400 series only)
- 50010 Cage Guard (cannot be used in conjunction with wall brackets)
- 50158 IP66 Weatherproof Band (SF201/200 series only)
- 50080 Anti Vibration Mount (SF201/200 series only)
- Magnetic mount versions available (SF201/200 series only)

Moflash part code S00577 Issue 2

**MOFLASH**  
SIGNALLING

## **INSTALLATION & TECHNICAL INFORMATION**

PLEASE READ PRIOR TO INSTALLATION



### **SF201/200 & SF401/400 Series - (Static Filament) and FL200/400 Series - (Fluorescent)**

VISUAL SIGNALLING DEVICES

APPROVALS AND  
CONFORMITIES



Website: [www.moflash.com](http://www.moflash.com)

Email: [technical@moflash.co.uk](mailto:technical@moflash.co.uk)

## INSTALLATION DATA SHEET

### SF201/200 Series

Carefully twist lens firmly one turn clockwise to remove from base. Remove the inner lamp assembly from the base of the unit. Fix base to the required surface, utilising rubber gasket, with 2 x M4 screws (not supplied). Insert power cable through aperture in base & connect to terminal block on underside of lamp assembly.

The termination is not polarity conscious (see picture 1).

To Re-assemble, position the lamp assembly in the base noting the position of the three internal mounting lugs. Fix the assembly onto the lugs using the 3 x No.4 screws supplied. Replace lens onto base ensuring that the base spigot 'O' ring is in place. Twist lens one turn anti-clockwise to lock and check that the 'O' ring is positioned correctly and not caught or snagged.

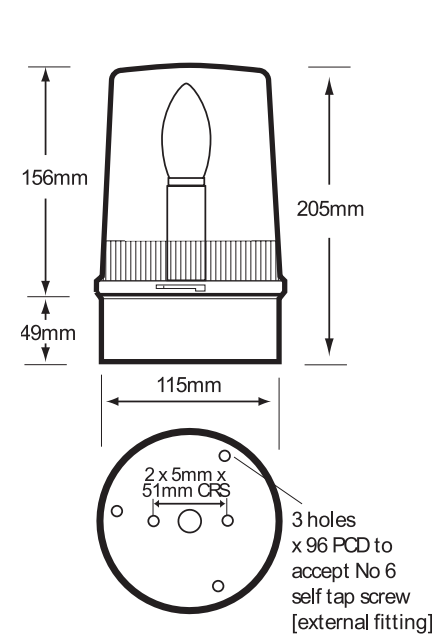
### SF401/400 Series

Connection to this type of unit is either into the three way barrier strip situated in the base of the unit (standard connection) or via the M20 side conduit entry. If M20 is the preferred method then the two wires in the barrier strip in the base need to be unscrewed and freed from the barrier strip. Un-screw 3xNo.4 screws that retain the base plate & carefully remove, threading the wires through the aperture. Un-screw the same two wires from the internal terminal block. Carefully drill out the M20 entry & using the appropriate cable gland, insert power cable into unit connecting to the internal terminal block. Screw base plate back into position. Fix base to the required surface using the supplied gasket with 3 x M6 Hex set screws and nuts (not supplied).

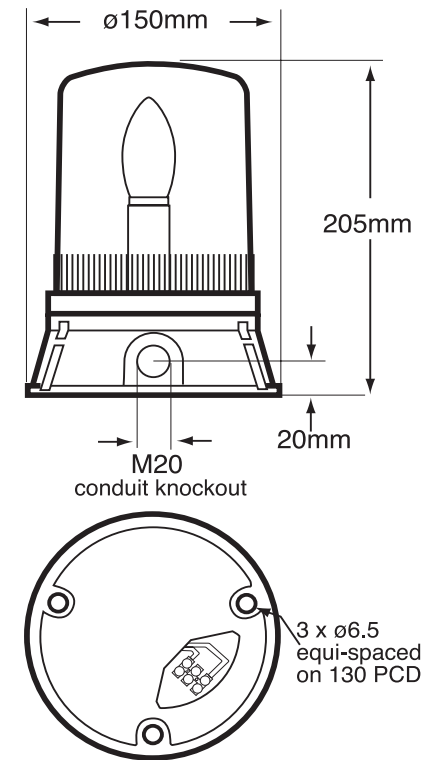
### General Installation Notes

- Installation must be carried out in accordance with the latest codes and regulations by a qualified electrician.
- Ensure power is disconnected prior to installation or maintenance.
- Environmental exposure conditions during installation should be dry, not moist or wet.
- The lens of the unit is Polycarbonate Plastic. Do not clean with petroleum based cleaners.
- For all installations, mount the beacon with the lens above the base. Any other mounting position will impair the IP rating (Ingress Protection) of the unit.
- Avoid mounting the beacon where it will be subject to excessive vibration.

### SF201/200 Series



### SF401/400 Series



Picture 1

