

Vacuum interrupters for 3TF69 consists of 3 vacuum interrupters with add-on parts

product category	Contact pieces and vacuum interrupters
product designation	3TF6 vacuum interrupters
product type designation	3TY7
suitability for use	for 3TF69

General technical data	
Substance Prohibitation (Date)	03/01/2017
SVHC substance name	Lead - 7439-92-1
Net Weight	3.667 kg

Approvals Certificates		
General Product Approval	other	Environment



[Confirmation](#)

[Environmental Conformations](#)

Further information

Information on the packaging

<https://support.industry.siemens.com/cs/ww/en/view/109813875>

Information for data generation and storage

<https://support.industry.siemens.com/cs/ww/en/view/109995012>

Information- and Downloadcenter (Catalogs, Brochures,...)

<https://www.siemens.com/ic10>

Industry Mall (Online ordering system)

<https://mall.industry.siemens.com/mall/en/en/Catalog/product?mlfb=3TY7690-0B>

Cax online generator

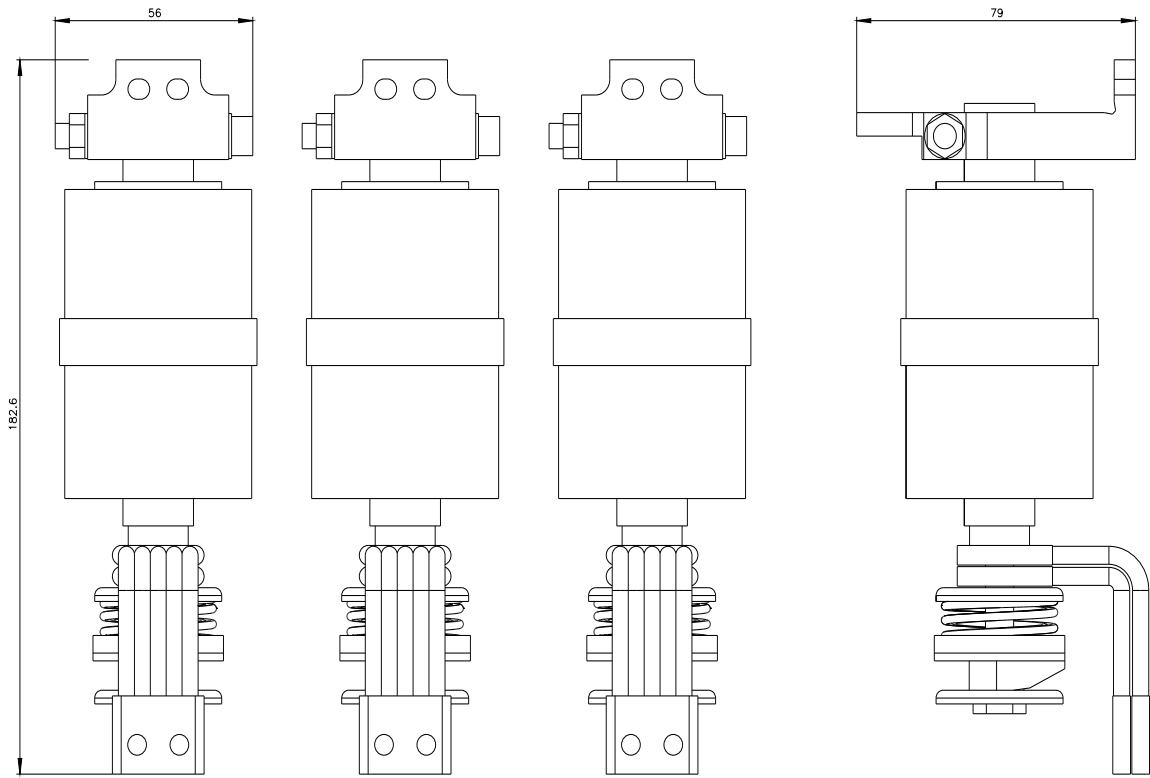
<https://support.automation.siemens.com/WW/CAXorder/default.aspx?lang=en&mlfb=3TY7690-0B>

Service&Support (Manuals, Certificates, Characteristics, FAQs,...)

<https://support.industry.siemens.com/cs/ww/en/ps/3TY7690-0B>

Image database (product images, 2D dimension drawings, 3D models, device circuit diagrams, EPLAN macros, ...)

https://www.automation.siemens.com/bilddb/cax_de.aspx?mlfb=3TY7690-0B&lang=en



last modified:

4/2/2025 