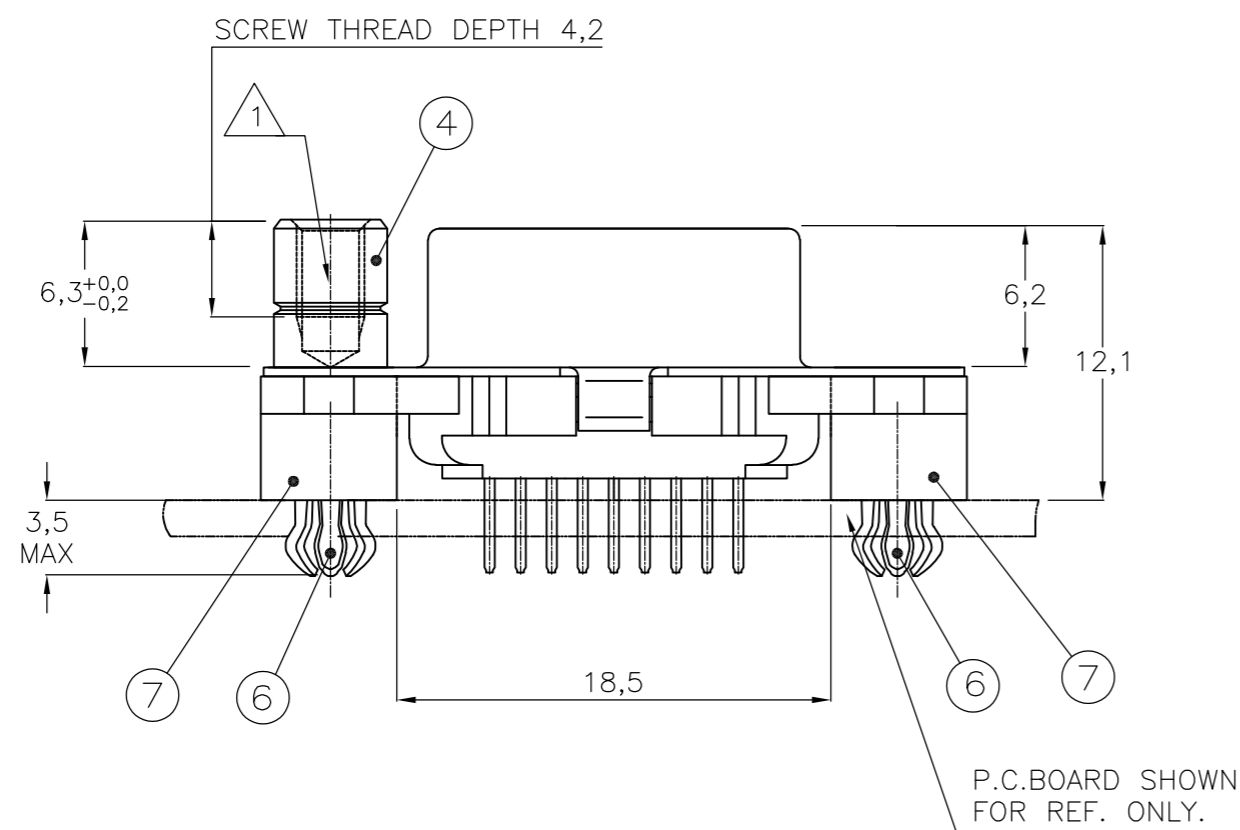
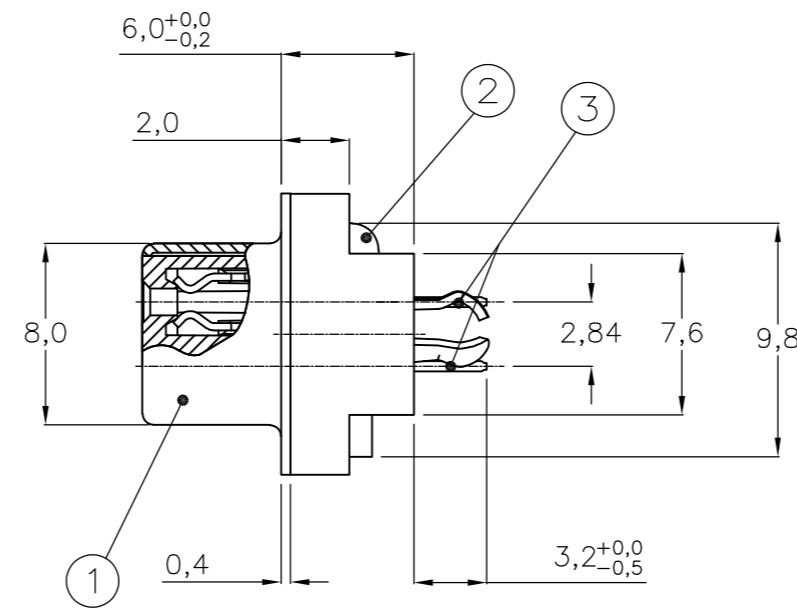
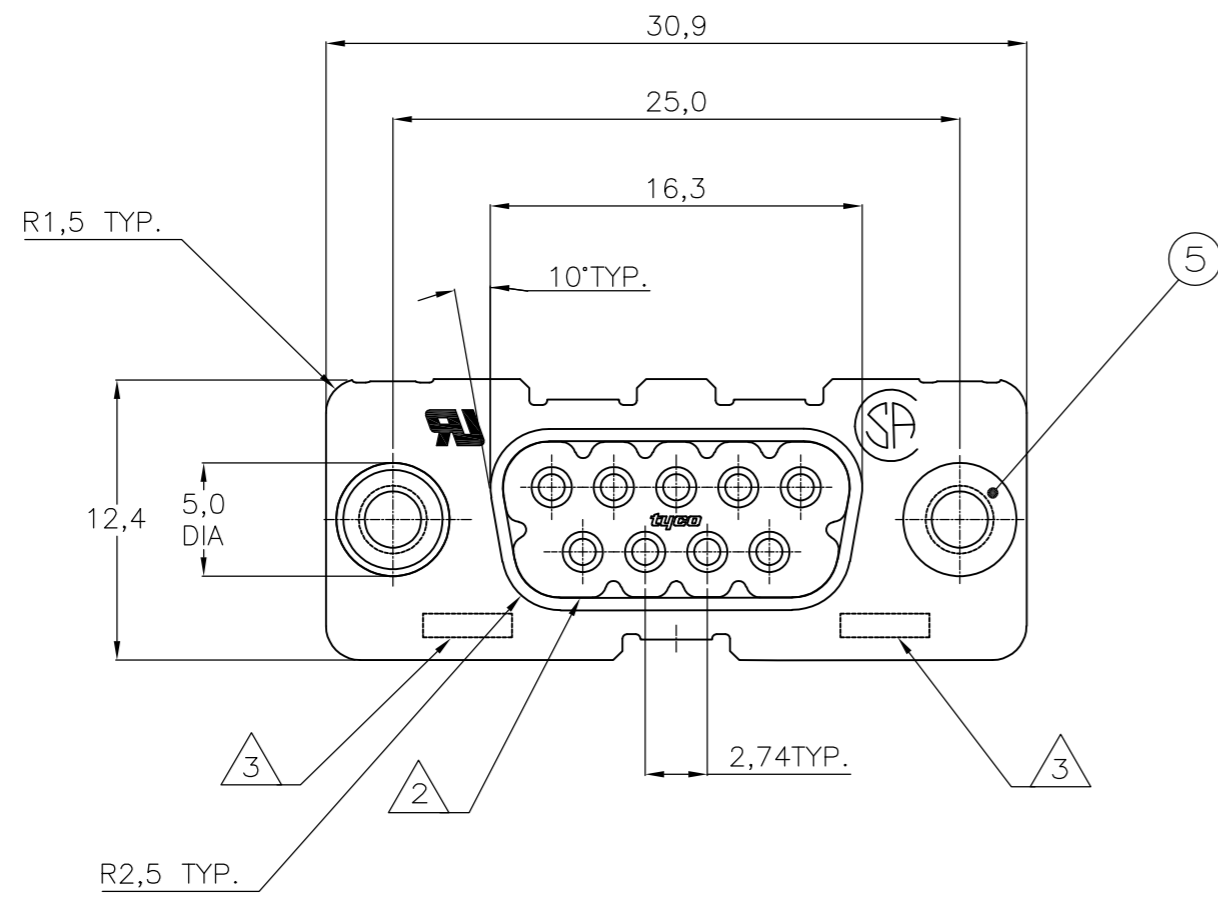


THIS DRAWING IS UNPUBLISHED. RELEASED FOR PUBLICATION  
 © COPYRIGHT - By - ALL RIGHTS RESERVED.

| LOC | DIST | REVISIONS   |                           |         |        |
|-----|------|-------------|---------------------------|---------|--------|
| P   | LTR  | DESCRIPTION | DATE                      | DWN     | APVD   |
| H   | -    | F2          | REVISED PER ECO-11-005294 | 05APR11 | RK HMR |



| ITEM NRS. | DESCRIPTION OF ACCESSORY              | 1 | 2 | 3 | 4 | 5 | 6 | 7 | 8 | 9 |
|-----------|---------------------------------------|---|---|---|---|---|---|---|---|---|
| 5         | BUSHING WITH THROUGHHOLE 3,1 DIA.     |   |   |   |   |   |   |   |   |   |
| 5         | BUSHING WITH THREAD 4-40 UNC          |   | 2 |   |   |   |   |   | 2 |   |
| 5         | BUSHING WITH THREAD M3                |   |   | 2 |   |   |   |   |   | 2 |
| 4         | FEMALE SCREWLOCK WITH THREAD 4-40 UNC |   |   |   | 2 |   |   |   |   | 2 |
| 4         | FEMALE SCREWLOCK WITH THREAD M3       |   |   |   |   | 2 |   |   |   | 2 |
| 6         | BOARDLOCK                             | 2 | 2 | 2 | 2 |   |   |   |   |   |

**HOW TO ORDER:**

9 POS. -----> Z-338313-Y

PREFIX FOR ACCESSORIES }  
 BASIC PARTNR. }  
 SUFFIX FOR PLATING }

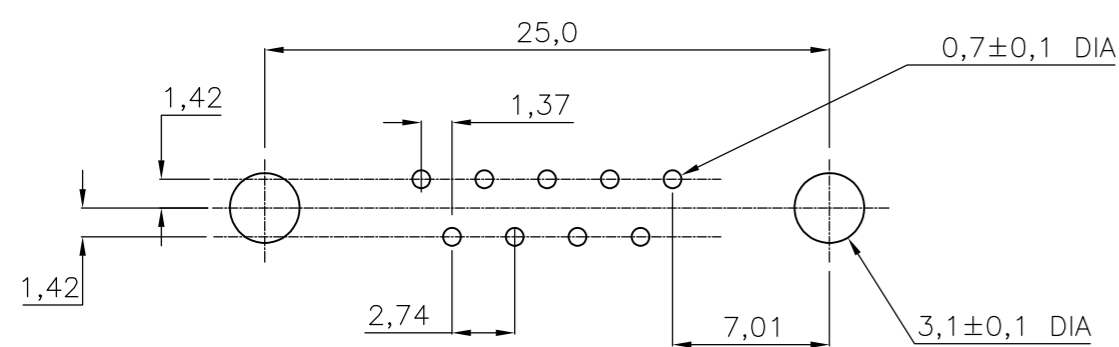
**PLATING SUFFIX "Y"**

GOLD OVER NICKEL AS PER PERFORMANCE LEVEL 2 (DIN 41652) } -Y = -2  
 SOLDER-PART :TIN-PLATING 3µm }

- ① GROOVE INDICATES VERSION WITH 4-40 UNC INNER THREAD; WITHOUT GROOVE INDICATES VERSION WITH M3 INNER THREAD.
- ② CAVITY IDENTIFICATION AT FRONT SIDE ONLY.
- ③ PARTNUMBER AND DATE CODE.
- 4. WHEN BOARDLOCKS ARE USED, CONNECTOR CAN BE USED FOR PCB THICKNESS OF 1,6 mm ONLY.
- 5. AIR AND CREEPAGE DISTANCES ACCORDING TO DIN 41652

- ITEM NRS./MATERIAL :**
- ① SHELL = BRIGHT TINPLATED STEEL
  - ② HOUSING = GLASSFILLED POLYESTER, COLOR : BLACK
  - ③ CONTACTS = PHOSPHORBRONZE (PLATING : SEE TABLE ABOVE)
  - ④ FEMALE SCREWLOCK = TINPLATED STEEL (INNER THREAD 4-40 UNC OR M3)
  - ⑤ BUSHING = TINPLATED STEEL (INNER THREAD 4-40 UNC OR M3 OR 3,1 DIA. THROUGHHOLE)
  - ⑥ BOARDLOCK = TINPLATED PHOSPHORBRONZE
  - ⑦ STAND OFF = ULTRAMID VO COLOR : BLACK

RECOMMENDED P.C. BOARD HOLE-LAYOUT



|  |            |                         |   |                 |
|--|------------|-------------------------|---|-----------------|
| THIS DRAWING IS A CONTROLLED DOCUMENT. |            | DWN J.V.LIEMPT 01JUL97  | <b>STE</b> TE Connectivity                        |                 |
| DIMENSIONS: mm                         |            | CHK C.SOUISA 09SEP97    |   |                 |
| TOLERANCES UNLESS OTHERWISE SPECIFIED: |            | APVD E.LEIJTENS 09SEP97 | NAME  |                 |
| 0 PLC ± -                              | 1 PLC ± -  | PRODUCT SPEC            | HD-20 SIZE 1                                      |                 |
| 2 PLC ± -                              | 3 PLC ± -  | APPLICATION SPEC        | VERTICAL+ RECEPTACLE HEADER; WITH SOLDER CONTACTS |                 |
| 4 PLC ± -                              | ANGLES ± - | WEIGHT -                | SIZE A2   | CAGE CODE 00779 |
| MATERIAL -                             | FINISH -   | CUSTOMER DRAWING        | DRAWING NO. C=338313                              | RESTRICTED TO - |
|  |            |                         | SCALE NTS   | SHEET 1 OF 1    |
|  |            |                         | REV F2  |                 |