

SO SERIES

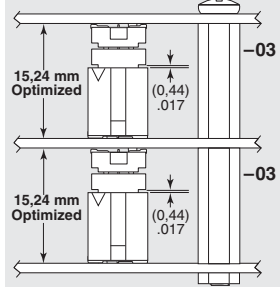
PRECISION BOARD STACKING STANDOFF

SPECIFICATIONS

For complete specifications and recommended PCB layouts see www.samtec.com?SO

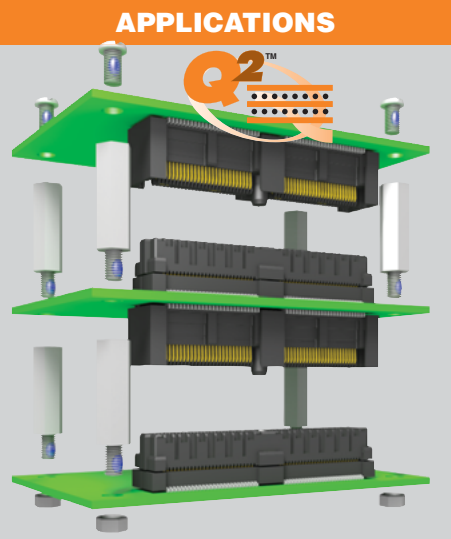
Material: Aluminum
Locking Compound: Nylon

APPLICATIONS



See QMS/QFS Series SUMIT™ & PCI/104-Express™ connectors

Requires Standoff SO-1524-03-01-02-L 15.24mm board spacing. Connectors designed to not fully seat when mated.



Ideal for use with all Samtec SI connectors

Precision machined tolerances (± .002" (0,05 mm))

RUGGEDIZED by SAMTEC

- Precision machined
- Locking compound

Stack heights from 5 mm to 25 mm

ALSO AVAILABLE (MOQ Required)

- Other heights
- Stainless Steel
- Locking compound removed
- Other materials and threading
- No Hardware

Contact Samtec.

#4-40 Thread

Standard Nylon thread locking compound

SO — **BOARD STACKER** — **LEAD STYLE** — **THREAD STYLE** — **01** — **L**

Specify BOARD STACKER from chart

-01 = Female Thread/Press-In (-0515 thru -0865 only)

-02 = Male/Male Thread (-0515 and -1115 thru -2515 only)

-03 = Male/Female Thread (-0815 thru -2515 only)

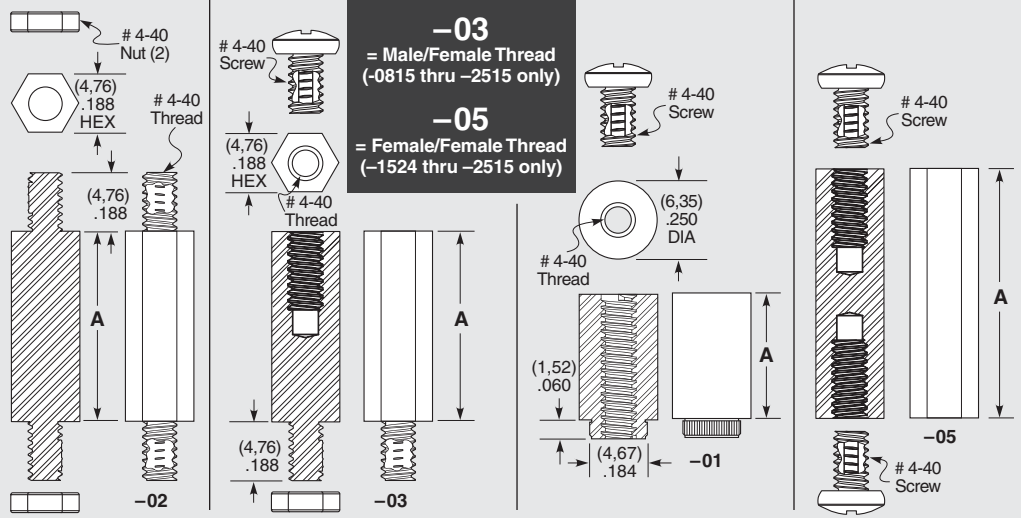
-05 = Female/Female Thread (-1524 thru -2515 only)

-01 = #4-40 Thread

-02 = M3 x 0.5 Thread

-L = -02 & -03 Lead Style thread locking compound (Leave blank for -01 Lead Style)

BOARD STACKER	A	BOARD STACK HEIGHT
-0515	(5,15) .203	5 mm
-0715	(7,15) .282	7 mm
-0815	(8,15) .321	8 mm
-0865	(8,65) .341	8,5 mm
-1115	(11,15) .439	11 mm
-1215	(12,15) .478	12 mm
-1524	(15,24) .600	15,24 mm
-1615	(16,15) .636	16 mm
-1890	(18,90) .744	18,75 mm
-1915	(19,15) .754	19 mm
-2515	(25,15) .990	25 mm



Notes:
 Standoffs are designed, 0,15 mm longer than connector stack heights to allow for processing variables.

Some sizes, styles and options are non-standard, non-returnable.

Components are to be packaged in separate bags unassembled.