

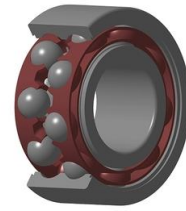


Brand of NTN corporation

## Technical data

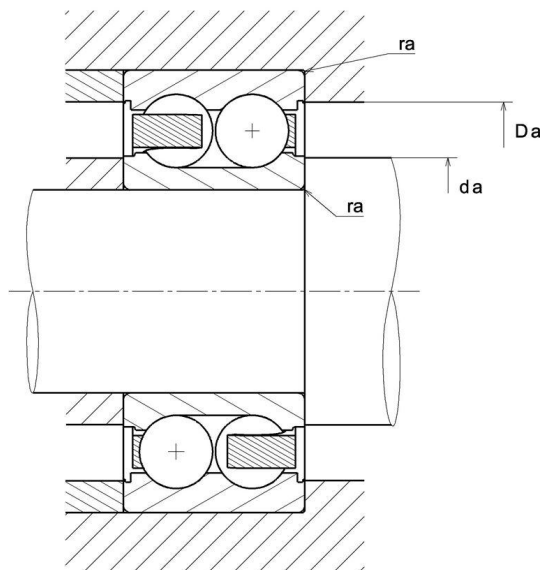
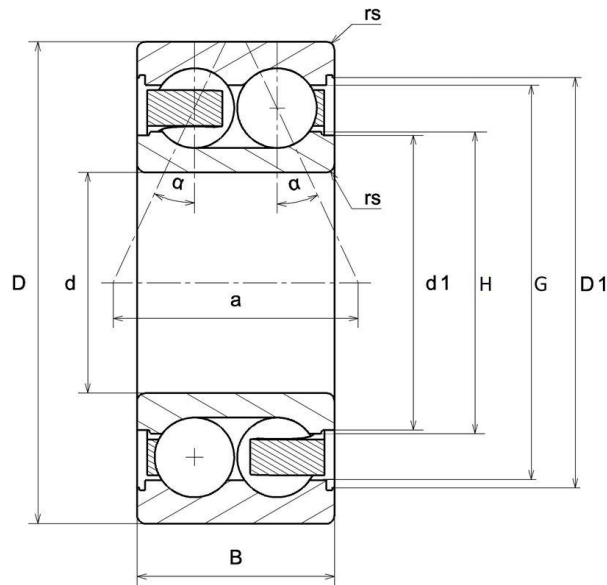
### 3308AC3

Double row angular contact ball bearings



Double row angular contact ball bearing, polyamide cage, open

### VISUAL (S)



**NTN Europe**

1 rue des Usines · BP 2017 · 74010 Annecy Cedex · France · Tel. +33 (0)4 50 65 30 00  
S.A. au capital de 322 639 919 € · RCS ANNECY B 325 821 072 · Id. Fiscale : FR 48 325 821 072  
SIRET 325 821 072 00015 · Code APE 2815 Z · Code NACE 28.15

# 3308AC3

Double row angular contact ball bearings

## PRODUCT DEFINITION

<b>Brand</b>	SNR
<b>d - Internal diameter</b>	40 mm
<b>D - External diameter</b>	90 mm
<b>B - Bearing/Inner ring width</b>	36,5 mm
<b>d1 - External diameter inner ring</b>	51,4 mm
<b>D1 - Inner diameter outer ring</b>	77 mm
<b>a - Charge load application point</b>	46,4 mm
<b>- Contact angle</b>	25 °
<b>rs - Min fillet radius</b>	1,5 mm
<b>Radial clearance class</b>	C3
<b>Precision class</b>	P0
<b>Mass</b>	0,95 kg

## PRODUCT PERFORMANCE

<b>C - Dynamic load</b>	61200000 mN
<b>C0 - Static load</b>	45200000 mN
<b>Cu - Fatigue limit load</b>	2800000 mN
<b>f0 - Coefficient</b>	13.7
<b>N ref - Reference thermal speed</b>	36000 °/s
<b>N lim - Mechanical Limit Speed</b>	43800 °/s
<b>Tmin - Min operating temperature</b>	253,15 °K
<b>Tmax - Max operating temperature</b>	393,15 °K

## BEARING FREQUENCIES

<b>BPFO - Over rolling frequency on outer ring (60 rpm)</b>	3.159 Hz
---	----------



**NTN Europe**

1 rue des Usines · BP 2017 · 74010 Annecy Cedex · France · Tel. +33 (0)4 50 65 30 00  
S.A. au capital de 322 639 919 € · RCS ANNECY B 325 821 072 · Id. Fiscale : FR 48 325 821 072  
SIRET 325 821 072 00015 · Code APE 2815 Z · Code NACE 28.15

# 3308AC3

Double row angular contact ball bearings

## BEARING FREQUENCIES

<b>BPFI - Over rolling frequency on inner (60 rpm)</b>	4.841 Hz
<b>BSF - Over rolling frequency on rolling element (60 rpm)</b>	4.119 Hz
<b>BRF - Rotational frequency - rolling element (60 rpm)</b>	2.06 Hz
<b>FTF - Rotational frequency - cage (60 rpm)</b>	0.395 Hz

## ABUTMENT

<b>da min - Min shoulder diameter IR</b>	48 mm
<b>Da max - Max shoulder diameter OR</b>	82 mm
<b>ra max - Max shaft &amp; housing fillet radius</b>	1,5 mm



**NTN Europe**

1 rue des Usines · BP 2017 · 74010 Annecy Cedex · France · Tel. +33 (0)4 50 65 30 00  
S.A. au capital de 322 639 919 € · RCS ANNECY B 325 821 072 · Id. Fiscale : FR 48 325 821 072  
SIRET 325 821 072 00015 · Code APE 2815 Z · Code NACE 28.15