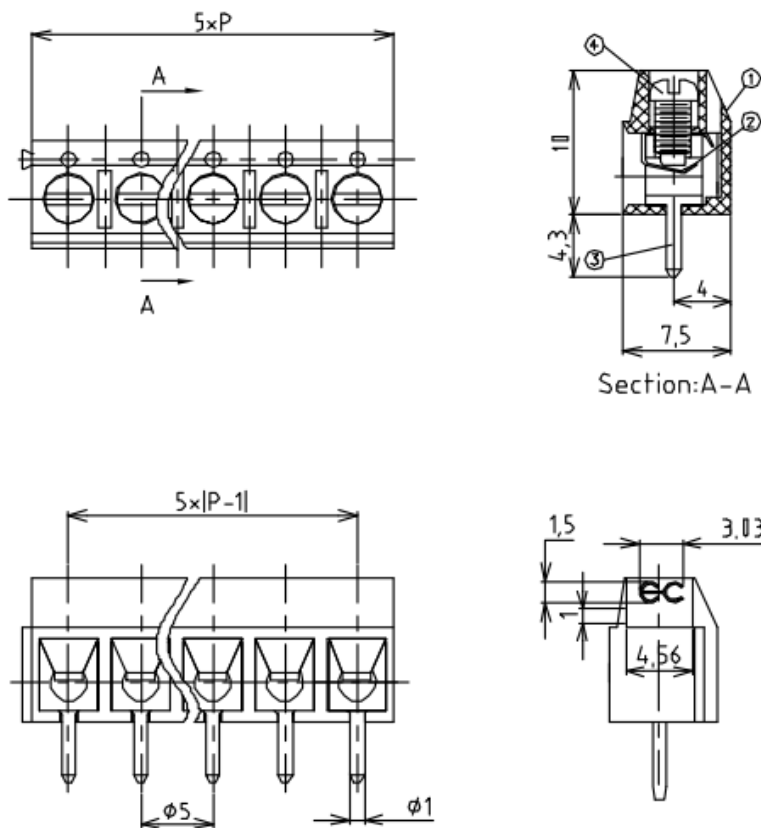


# Datasheet

## 2way Vertical Std PCB Screw Terminal

RS Stock number [494-8906](#)

### Drawing (mm):



### Specifications:

Rating:	310V 16A
Pitch:	5mm
Insulation withstands voltage:	AC1001V/Min
Insulation resistance:	1100mΩ or more at DC511V
Using temperature range:	-40°C ~ +105°C
Screw torque value:	0.4N
Suitable electric wire:	14 – 21 AWG