

WHEEL E 125X50/50 RB FIXED FORK M40

Wheel series E

Wheels with elastic solid rubber tyre bonded to die-cast aluminum centre.
 Available with ball bearings or roller bearings.
 Wheel fitted with standard roller bearing.
 Steel Hub.

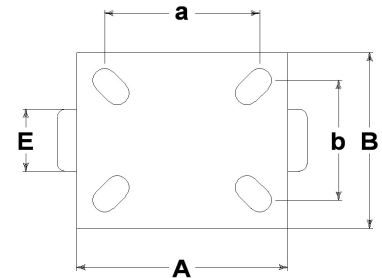
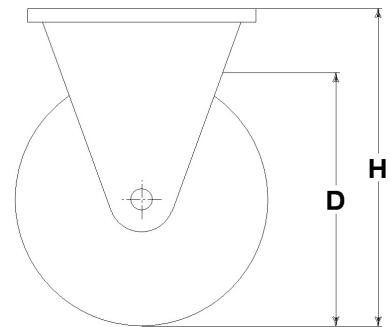


Castor series M40

M40 series, medium-heavy duty pressed steel forks, swivel with double ball races & 'water resistant' protections. Zincplated.

Technical data

Wheel diameter	D	125 mm
Tyre width	E	50,0 mm
Bore diameter	d	20 mm
Weight article		1,880 kg
Hub width	L	50 mm
Overall height	H	162 mm
Top plate outer dimensions	AxB	135x110 mm
Bolt hole spacing	axb	96x56 mm
Bolt hole spacing	axb	105x75 mm
Bolt hole spacing	axb	105x80 mm
Fixing bolt diameter	g	M10
Fork width	U	50 mm
Load Capacity		220 kg



Related Articles

Spare part wheel: [2052](#)
 Version with footguard: [16711PP](#)

GENERAL INFORMATION / RECOMMENDATIONS AND WARNINGS

The cited text and the complete catalogue in their most up-dated versions are available in the OEM's website page www.lagspa.it/downloads. The dimensions, descriptions, specifications and illustrations herein are indicative and subject to variations without notice. The fact that products are illustrated herein does not necessarily imply they are available from stock nor does it place us under any obligation to supply them. Tests carried out refer to the original products with original accessories: the replacement of one of the components with others of different manufacture might prevent the same results from being achieved and will automatically invalidate any guarantee. Please contact our technical service concerning any special application.