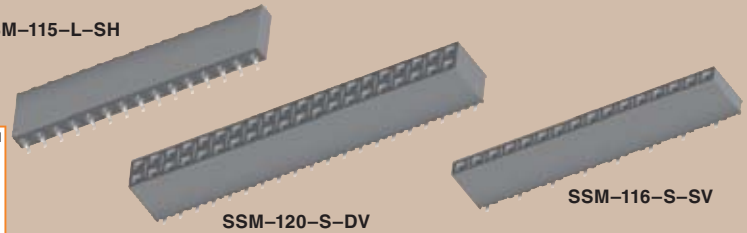




SSM-115-L-SH



SSM-120-S-DV

SSM-116-S-SV

(2,54mm) .100"

SSM SERIES

SMT .025" SQ BOX SOCKET

Mates with:

TSW, MTSW, TST, TSS, ZST, ZSS, DW, EW, ZW, TSM, HMTSW, HTSW, TSSH, BST, HTSS, TLW, MTLW

SPECIFICATIONS

For complete specifications and recommended PCB layouts see www.samtec.com?SSM

Insulator Material:

Black Liquid Crystal Polymer
Contact Material:
 Phosphor Bronze



Plating:

Au or Sn over 50µ" (1,27µm) Ni

Voltage Rating:

475 VAC (-SV/-DV mated with TSW)

450 VAC (-SH/-DH mated with TSM)

Operating Temp Range:

-55°C to +125°C with Gold

-55°C to +105°C with Tin

Contact Resistance:

10 mΩ max

Insertion Depth:

SV/DV is (4,34mm) .171" to (7,24mm) .285" or pass-through from top; (5,56mm) .219" plus board thickness minimum from bottom; SH/DH is (4,34mm) .171" to (6,35mm) .250"

Insertion Force:

(Single contact only)

5oz (1,39N) average

Normal Force:

125 grams (1,21N) average

Withdrawal Force:

(Single contact only)

2oz (0,56N) average

RoHS Compliant: Yes

CURRENT RATING	
AMBIENT TEMP	SSM mated with TSW
20°C	6.9A
40°C	6A
60°C	5.3A
95°C	3.5A

6 POSITIONS (2x3) POWERED

Processing:

Lead-Free Solderable:

Yes

-DH Coplanarity:

Less than 28 positions (0,15mm) .006" max

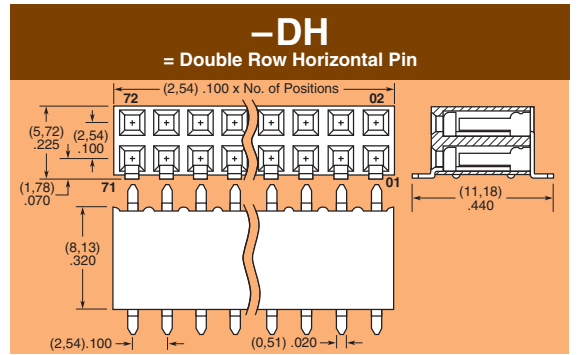
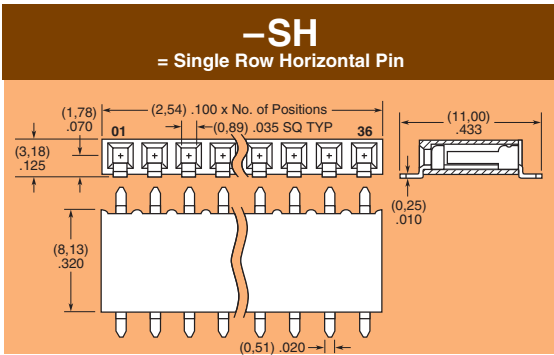
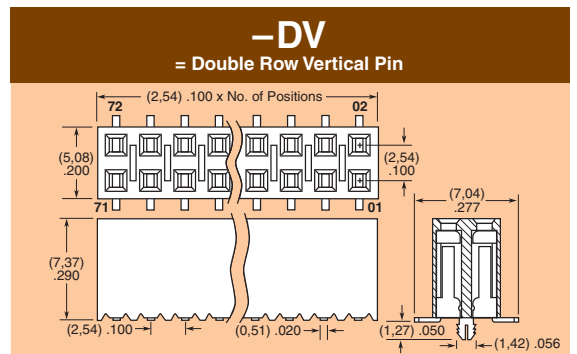
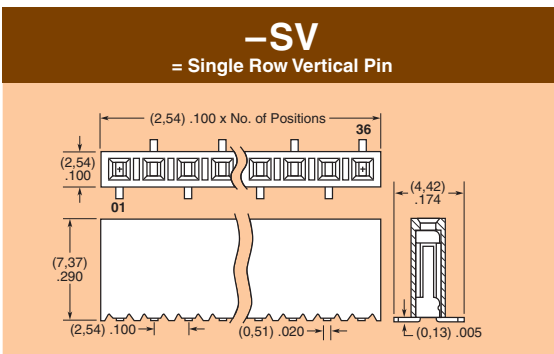
More than 27 positions (0,20mm) .008" max

-SH, -SV, -DV Coplanarity:

(0,15mm) .006" max

Note: Some lengths, styles and options are non-standard, non-returnable.

SSM	1	NO. PINS PER ROW	PLATING OPTION	ROW OPTION	OTHER OPTION
02 thru 36 (-SV, -SH, -DH)			-F = Gold flash on contact, Matte Tin on tail		-BE = Bottom Entry (-DV & -SV only)
02 thru 40 (-DV)			-L = 10µ" (0,25µm) Gold on contact, Matte Tin on tail		-LC = Locking Clip (-DV & -SV only) Contact Samtec for -DH & -SH
APPLICATION			-S = 30µ" (0,76µm) Gold on contact, Matte Tin on tail		-K = (6,50mm) .256" DIA Polyimide film Pick & Place Pad (2 positions min.) -DV & -SV only
					-M = Metal Pick & Place Pad (5 positions min.) -DV only
APPLICATION SPECIFIC OPTION					-P = Plastic Pick & Place Pad (-DV & -SV only) (6 pos. minimum, contact Samtec for availability on smaller positions)
Alignment Pin available. Call Samtec.					-"XXX" = Polarized Position (-BE not available)
					-TR = Tape & Reel Packaging (29 positions max.)



Due to technical progress, all designs, specifications and components are subject to change without notice.

WWW.SAMTEC.COM