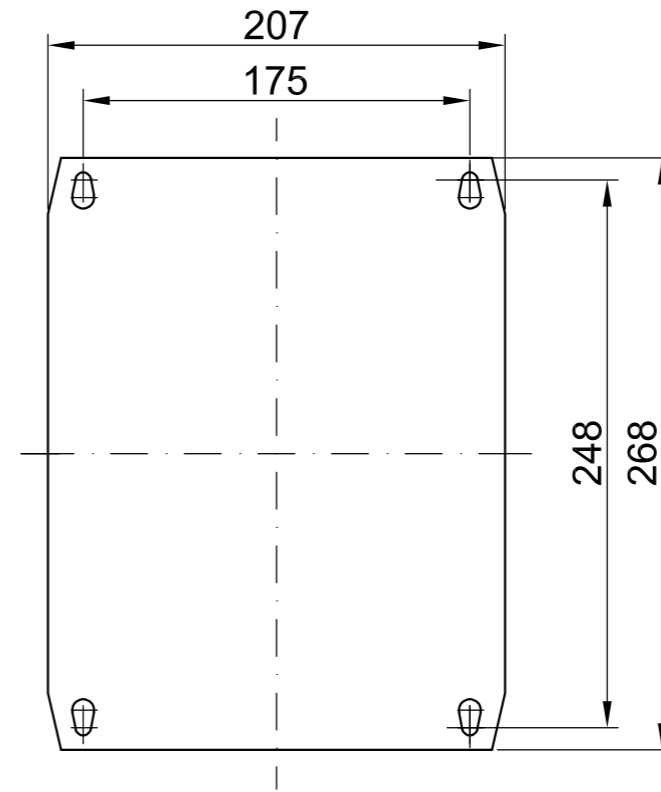


Base Plate



Gland Plate

