



# IDEALPOWER

experts in power conversion

Ideal Power Ltd Product Specification Document

<b>Description</b>	Ext. PSU
<b>Model Number</b>	25HK-U-090A066-CP-3A
<b>Revision</b>	A0
<b>Notes</b>	-

CUSTOMER APPROVED SIGNATURES			VENDOR APPROVED SIGNATURES		
					

**Ideal Power Ltd**

Ideal Power, Ideal House, Tree Beech Enterprise Park, Gunn, Barnstaple, Devon, EX32 7NZ, England, UK

**Tel:** +44 (0) 845 260 3400

**Email:** sales@idealpower.co.uk

**Web:** www.idealpower.co.uk



## CONTENTS

1. INTRODUCTION
2. INPUT REQUIREMENTS
3. OUTPUT REQUIREMENTS
4. EFFICIENCY
5. LINE REGULATION
6. HOLD UP TIME
7. TURN ON TIME
8. TEMPERATURE COEFFICIENT
9. DIELECTRIC STRENGTH (Hi-Pot) TEST
10. INSULATION RESISTANCE
11. PROTECTION
12. ENVIRONMENTAL CONDITIONS
13. EMI/ EMC
14. RELIABILITY AND QUALITY CONTROL
15. SAFETY
16. OVERALL DRAWING
17. USE SPECIFICATION
18. PACKING
19. MARKING

## 1.0 INTRODUCTION

This document specifies a switching power supply with a output of +9V, and electronic process. The switching power supply will provide power for technology equipments including electrical business equipment. The adaptor meets the requirement of lead free and RoHS.

## 2.0 INPUT REQUIREMENTS

2.1 Input Voltage Range: 100(-10%)VAC to 240(+10%)VAC

2.2 Input Frequency Range: 47 Hz to 63 Hz

2.3 Input Power Consumption at no-load : 0.3W Max

2.4 Input In-rush Current: 50A Max

2.5 Input Current: 0.2A Max

## 3.0 OUTPUT REQUIREMENTS

3.1 Output Voltage: +9V

3.2 Output Regulation: 8.55-9.45V

3.3 Output Load Range: 0-0.66A

3.4 Output Ripple & Noise: 300mV Max @20MHz bandwidth with 10UF/50V capacitance and 104/50V ceramic capacitor.

4.0 EFFICIENCY:  $\geq 73.42\%$  @ average of 25/50/75/100% loads 115V&230VAC input

5.0 LINE REGULATION:  $\pm 2\%$  maximum

6.0 HOLD UP TIME: 10ms Min at 110VAC full load.

7.0 TURN ON TIME: 2S Max at 110VAC full load.

8.0 TEMPERATURE COEFFICIENT: 0.05%/°C

9.0 DIELECTRIC STRENGTH (Hi-Pot) TEST

9.1 Primary to Secondary :AC 3000 Vrms ,4mA,1minute for type test,  
2 second for production test.

10.0 INSULATION RESISTANCE

Primary to secondary: 50M OHM to 500VDC.

11.0 PROTECTION

11.1 Input Protection

The switching power supply has a 10 ohm resistance current fuse to protect itself.

11.2 Output Protection

11.2.1 Output Current:

Overload conditions shall decrease the output voltage. Removal of an  
output overload shall provide automatic recovery for the output voltage.

11.2.2 Short Circuit Protection: Auto Recovery.

## 12.0 ENVIRONMENTAL CONDITIONS

The switching power supply can withstand the following environmental conditions:

12.1 Storage Temperature:  $-20^{\circ}\text{C} \sim +70^{\circ}\text{C}$

Relative Humidity: 10% ~ 95%

12.2 Operation Temperature:  $0^{\circ}\text{C} \sim 40^{\circ}\text{C}$

Relative Humidity: 10%~95%

## 13.0 EMI / EMC

The switching power supply has approved by the following standards:

FCC PART 15 Class B      AS/NZS CISPR 22:2009 Class B      J55022(H22)  
EN55022:2010/AC:2011  
EN61000-3-2:2006/A2:2009    EN61000-3-3:2008  
EN55024:2010/AC:2011  
IEC61000-4-2:2008    IEC61000-4-3:2006/A1:2007/A2:2010    IEC61000-4-4:2012  
IEC61000-4-5:2005    IEC61000-4-6:2008    IEC61000-4-8:2009  
IEC61000-4-11:2004

## 14.0 RELIABILITY AND QUALITY CONTROL

### 14.1 Burn-in

The burn-in test will be performed at least 2 hours at 40 centigrade degrees under full load condition.

### 14.2 MTBF

When the operation is complying with this specification, the switching power supply's MTBF will be 50,000 hours at 25 centigrade degrees.

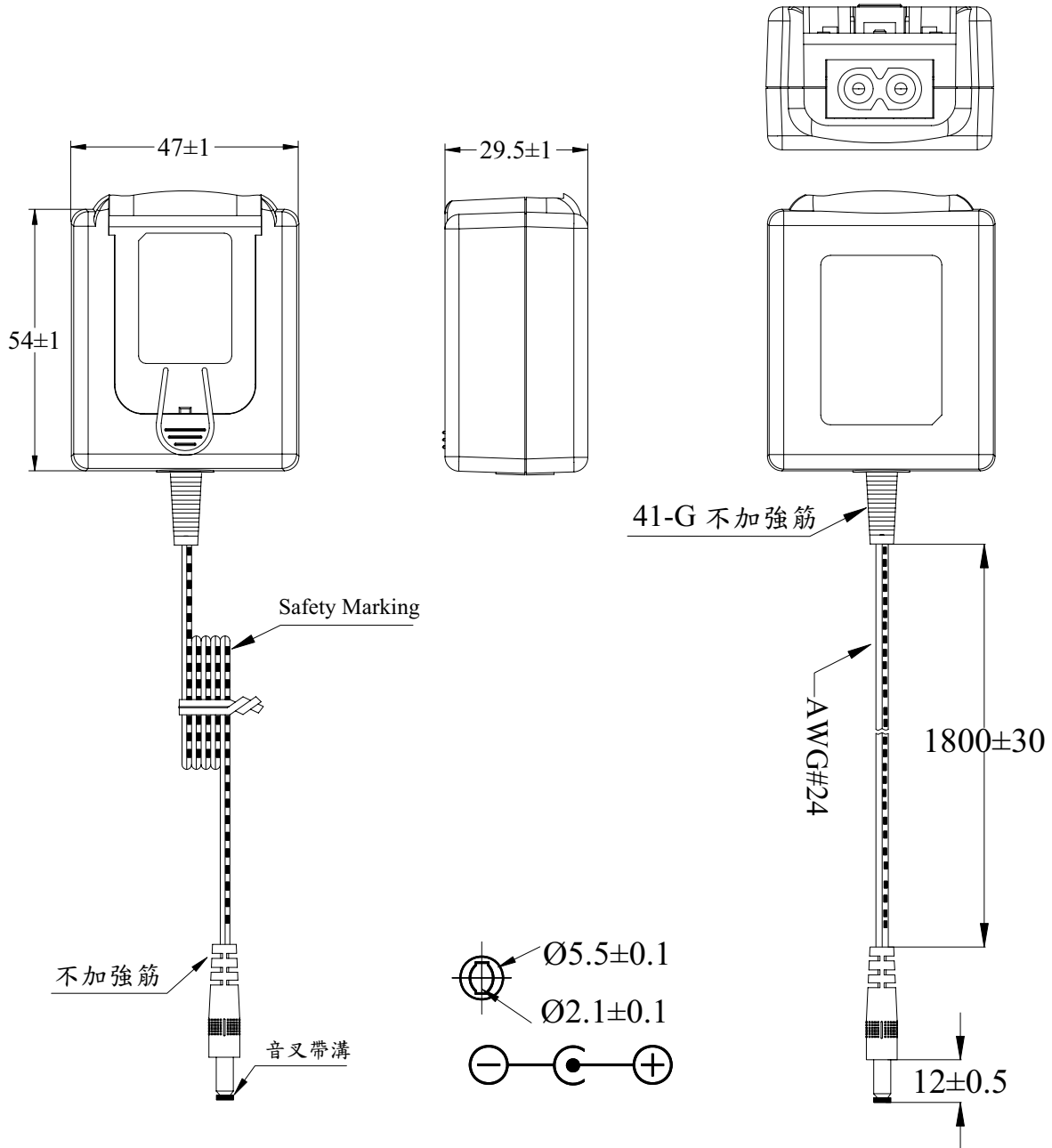
## 15.0 SAFETY

The switching power supply has approved by the following standards:

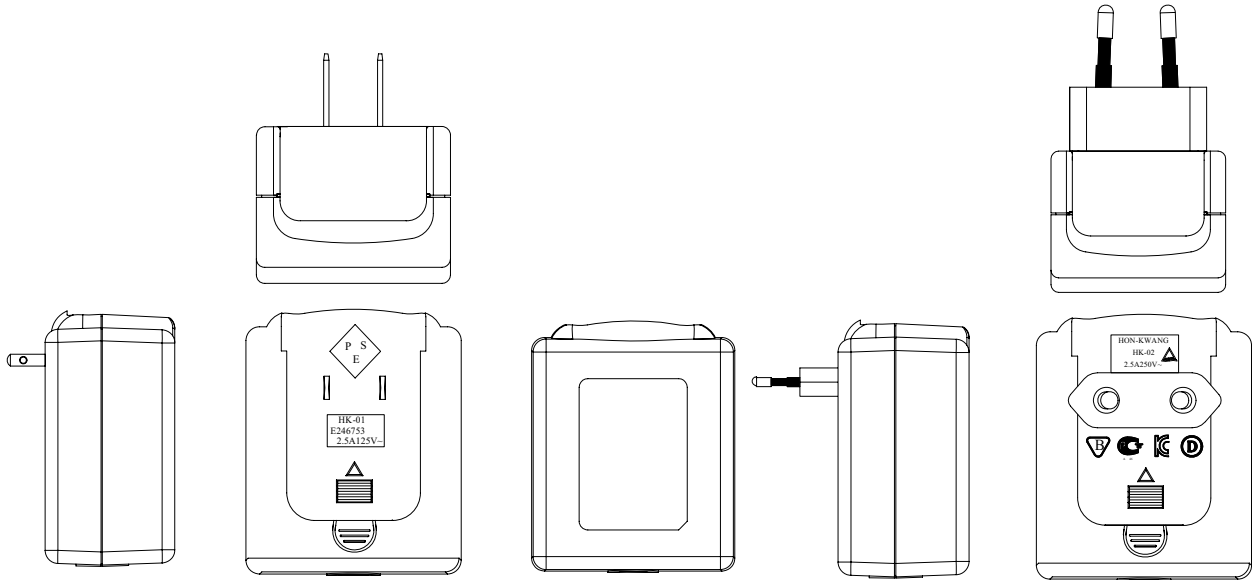
UL 60950-1, 2nd Edition,2011-12-19    CSA C22.2 NO.60950-1-07, 2nd Edition,2011-12  
EN60950-1:2006+A11+A1+A12      AS/NZS 60950.1:2011+A1  
BS EN60950-1:2006+A1+A12      J60950-1(H22)

## 16. OVERALL DRAWING

UNIT: mm

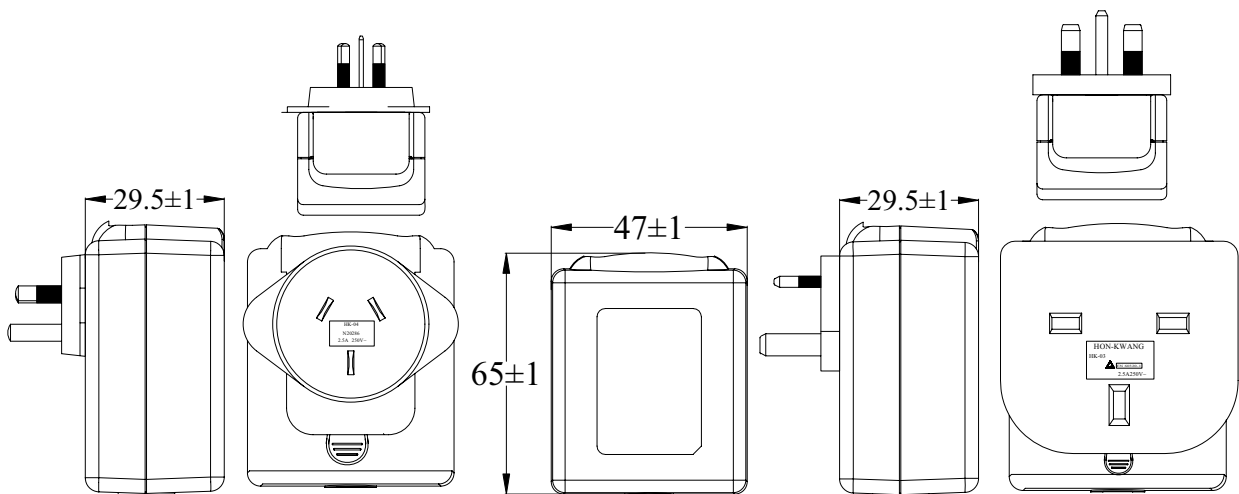


UNIT: mm



UL/PSE

TUV

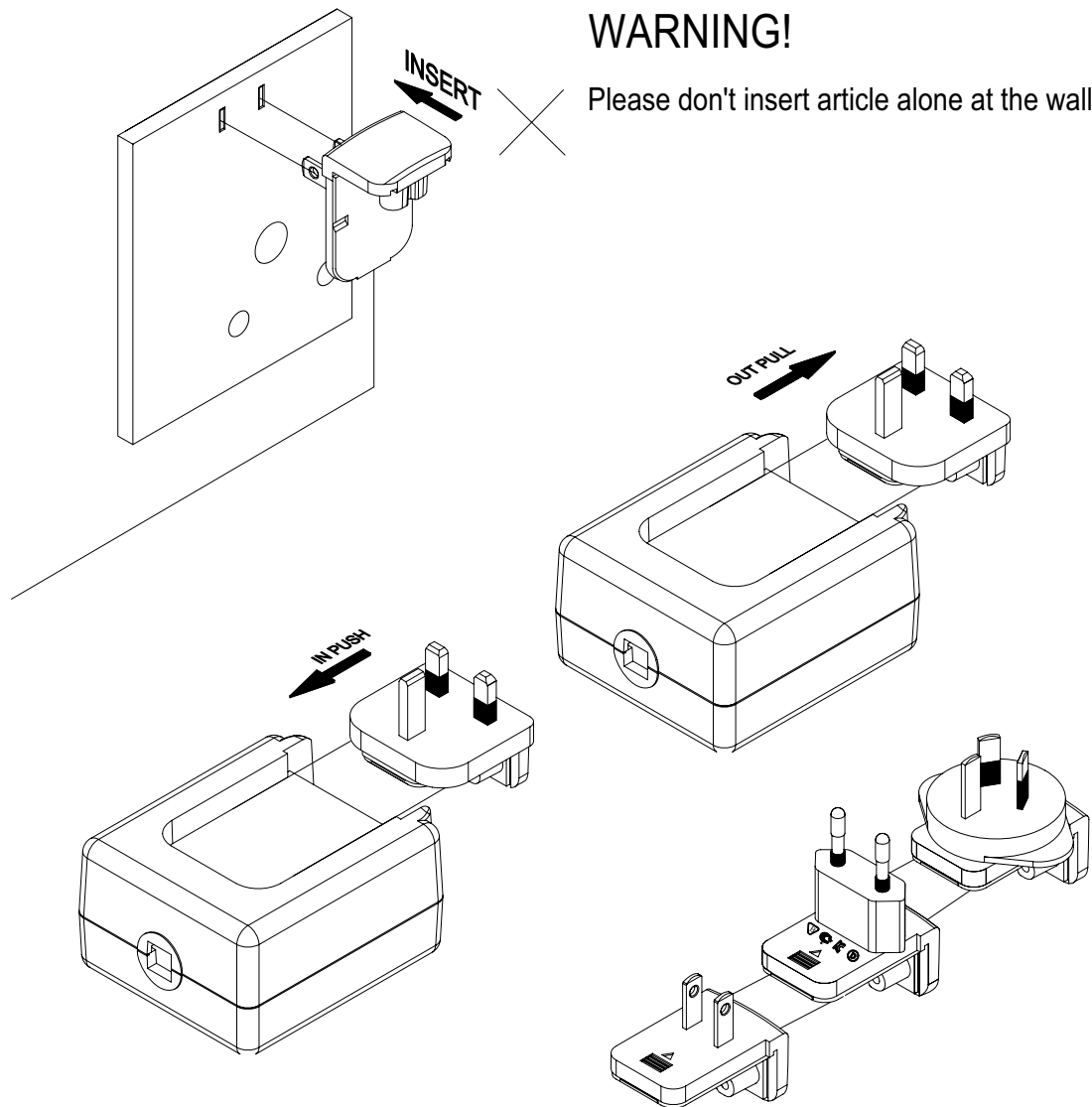


SAA

UK



17. USE SPECIFICATION



## 18. PACKING

### 18.1 Inner Box

UNIT: mm

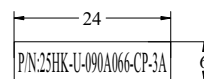
BOX (
  Normal BOX
  Corrugated BOX)

Length: 130

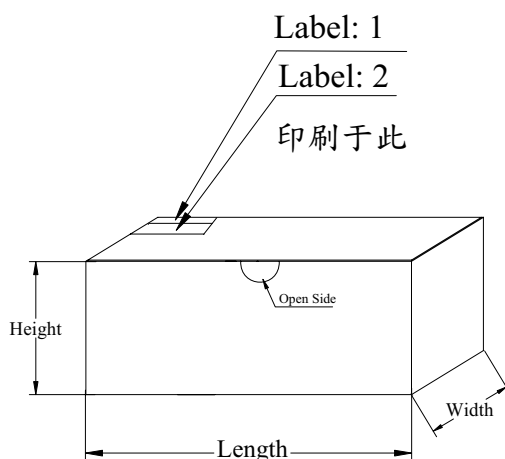
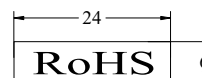
Width: 70

Height: 50

Label: 1



Label: 2



Material:A 卡400磅(0.53t)White

#### NOTICE:

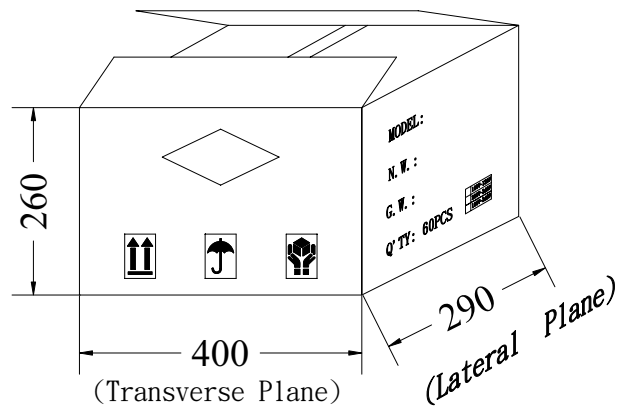
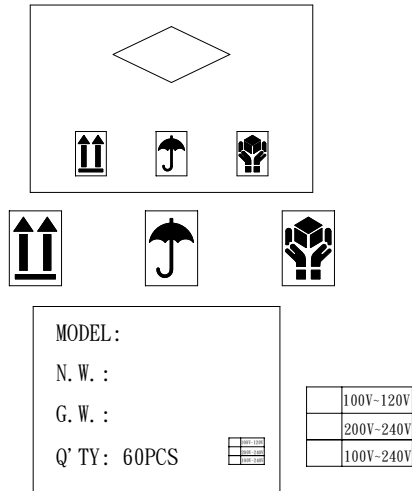
Its probably different from the white box of the sample and the figure dimension. The white box is used to pack during product.

注意: 樣品使用的小白盒尺寸可能與此圖面尺寸不同, 此圖面尺寸是用于生產時的包裝.

18. PACKING

18.2 Carton

UNIT: mm



## 19. MARKING

200# CPC 合成紙+上光 NAME-PLATE:WHITE CHARACTERS BLACK BACKGROUND.

UNIT: mm MMYC  
 month | year  
 made in China  
 by Hon-kwang

