

RPC-M12-5MS-1.0SH-M12-5FR-PVC ✓ ACTIVE

TE Part # T4162114005-002

TE Internal #: T4162114005-002

M12 A-CODE MS-FR DOUBLE ENDED CABLE

[View on TE.com >](#)



Cable Assemblies > Copper Cable Assemblies > M8/M12 Sensor Cable Assemblies > M12 A-CODE MS-FR DOUBLE ENDED CABLE



Connector Type: **Plug/Receptacle**

Number of Positions: 5

Keying: **A**

Housing Material: **GF Nylon**

Cable Assembly Type: **M12 to M12**

[All M12 A-CODE MS-FR DOUBLE ENDED CABLE \(112\)](#)

Features

Product Type Features

Assembly Type	Pigtail
Connector Type	Plug/Receptacle
Cable Assembly Type	M12 to M12
Shielded	Yes

Configuration Features

Number of Positions	5
Keying	A
Configuration	Double Ended

Body Features

Cable Jacket Color	Black
--------------------	-------

Mechanical Attachment

Screw & Hole Thread Size	M12 x M12
--------------------------	-----------

Housing Features



Housing Material	GF Nylon
------------------	----------

Dimensions

Wire Size	.34 mm ²
Cable Assembly Length	1000 mm

Product Compliance

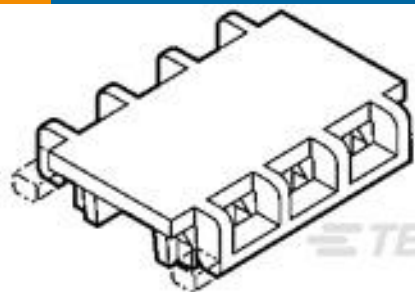
[For compliance documentation, visit the product page on TE.com>](#)

EU RoHS Directive 2011/65/EU	Not Yet Reviewed
EU ELV Directive 2000/53/EC	Not Yet Reviewed
China RoHS 2 Directive MIIT Order No 32, 2016	Restricted Materials Above Threshold
EU REACH Regulation (EC) No. 1907/2006	Current ECHA Candidate List: JAN 2019 (197) Not Yet Reviewed
Halogen Content	Not Yet Reviewed for halogen content
Solder Process Capability	Not applicable for solder process capability

Product Compliance Disclaimer

This information is provided based on reasonable inquiry of our suppliers and represents our current actual knowledge based on the information they provided. This information is subject to change. The part numbers that TE has identified as EU RoHS compliant have a maximum concentration of 0.1% by weight in homogenous materials for lead, hexavalent chromium, mercury, PBB, PBDE, DBP, BBP, DEHP, DIBP, and 0.01% for cadmium, or qualify for an exemption to these limits as defined in the Annexes of Directive 2011/65/EU (RoHS2). Finished electrical and electronic equipment products will be CE marked as required by Directive 2011/65/EU. Components may not be CE marked. Additionally, the part numbers that TE has identified as EU ELV compliant have a maximum concentration of 0.1% by weight in homogenous materials for lead, hexavalent chromium, and mercury, and 0.01% for cadmium, or qualify for an exemption to these limits as defined in the Annexes of Directive 2000/53/EC (ELV). Regarding the REACH Regulations, TE's information on SVHC in articles for this part number is still based on the European Chemical Agency (ECHA) 'Guidance on requirements for substances in articles' (Version: 2, April 2011), applying the 0.1% weight on weight concentration threshold at the finished product level. TE is aware of the European Court of Justice ruling of September 10th, 2015 also known as O5A (Once An Article Always An Article) stating that, in case of 'complex object', the threshold for a SVHC must be applied to both the product as a whole and simultaneously to each of the articles forming part of its composition. TE has evaluated this ruling based on the new ECHA "Guidance on requirements for substances in articles" (June 2017, version 4.0) and will be updating its statements accordingly.

Customers Also Bought



TE Part #1-643077-0
10P MTA100 MOLDED
COVER F/T



TE Part #9-520272-2
ULTRA-FAST .110/.125
ASY REC 22-18 TPBR



TE Part #5211508-1
4 CIRC DIN RCPT GRND
CLIP



TE Part #2-34067-1
PG BUTT SPLC 22-
16COMM22-18MIL



Documents

Product Drawings

[RPC-M12-5MS-1.0SH-M12-5FR-PVC](#)

English

CAD Files

[3D PDF](#)

3D

Customer View Model

[ENG_CVM_CVM_T4162114005-002_A.2d_dxf.zip](#)

English

Customer View Model

[ENG_CVM_CVM_T4162114005-002_A.3d_igs.zip](#)

English

Customer View Model

[ENG_CVM_CVM_T4162114005-002_A.3d_stp.zip](#)

English

Datasheets & Catalog Pages

[M8/M12 Sensor Actuator Cable Assemblies Datasheet](#)

English

Product Specifications

[Product Specification](#)

English

[M12 screw connection application specification](#)

English