

BAR Ex type GB 5103 - 1221/2090



(NEW SHORTFORM ORDER REFERENCE GB-122)

Explosion Protection: EExe II T6, Increased Safety

BASEEFA Certificate of Conformity: Ex 90C3070X
BS5501 Parts 1 & 6
EN50014 and EN50019

Ingress Protection: IP66 BS5420, IEC144

Materials: Black glass filled polyester enclosure
flame retardant to IEC92.1, UL94VO
Anti static < 10⁹ Ohm
Impact resistant > 2 x 7 Nm, BS5501 Part 1
Lid screws, captive stainless steel slot head
Lid gasket, captive silicone 'O' ring

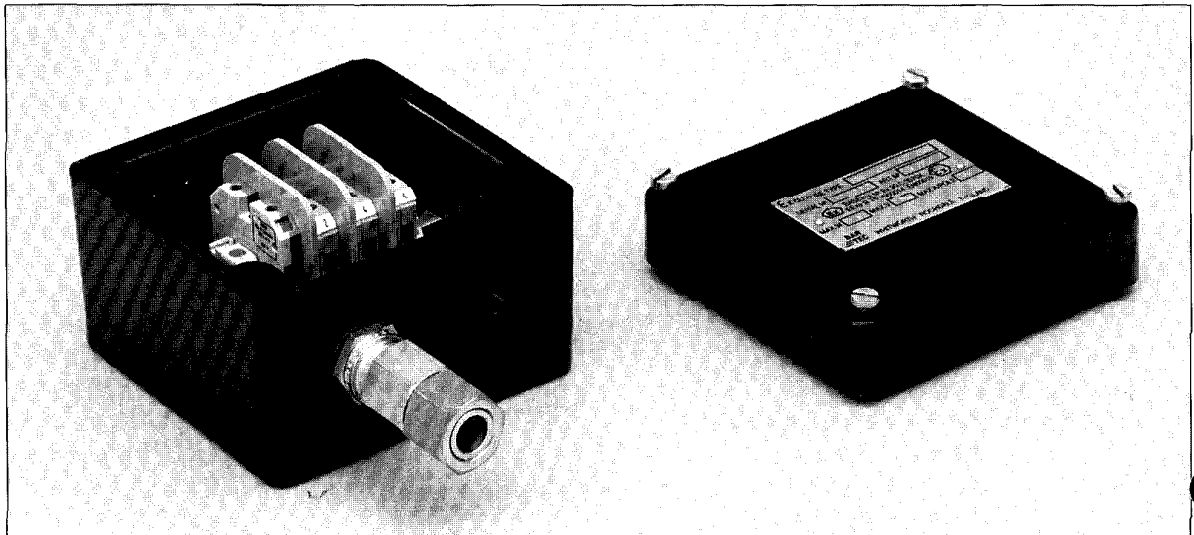
Optional Extras: External Hinges
Socket head lid screws
External fixing brackets
Additional labels
Brass continuity plate
External earth

Technical Information

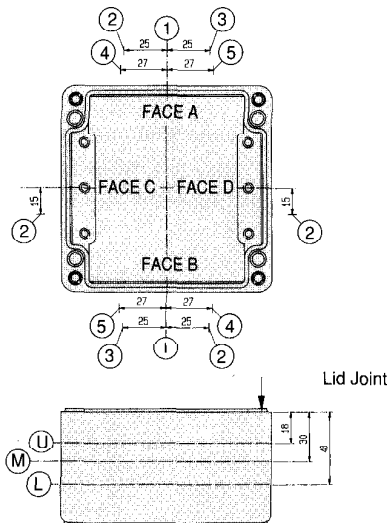
Please refer to pages 18 & 19 or ask our technical sales office for help and advice if assistance is required. The enclosures are also available as component approved empty enclosures and additional approval is required prior to fitting in a hazardous area.

ERA/SHELL WATER DELUGE TESTED

NOW AVAILABLE IN A RANGE OF COLOURS



OVERALL DIMENSIONS 122 x 120 x 90mm.



Thread Size	Face Ref.	Tappings Per Face	Tapping Positions
16/20mm 3/4" ET PG 13.5 PG 11	A & B	2	2M, 3M
	A & B	1	1M
	C & D	1	2M
25mm 1" ET PG 16	A & B	2	2M, 3M
	A & B	1	1M <small>Please note: Maximum Locknut A/C=40mm</small>
16/20mm (Special)	A & B	3*	1U, 4L, 5L

- * Not possible when continuity plate is fitted.
- 1. When mixed tapping sizes are required on a face, they must occupy the positions shown for the largest entry size on the face.
- 2. Special entry positions such as rear entries, and sizes are available, please ask for further information.
- 3. Entries only permitted in Faces A & B when the BK 12 terminal is fitted.

Terminal Type	Max Volts	Max Current Column 1		Conductor Size Stranded & Solid		Continuity Plate Fitted	
		Max No of Terminals	Max Amps	Min	Max	YES	NO
SAK 2.5	550	10+EK4	15	0.5 mm ²	2.5 mm ²	ART N° E1000	ART N° E1001
SAK 4	550	8+EK4	21	0.5 mm ²	4 mm ²	ART N° E1002	ART N° E1003
SAK 6N	550	6+EK10	26	0.5 mm ²	6 mm ²	ART N° E1004	ART N° E1005
SAK 10	550	5+EK10	37	2.5 mm ²	10 mm ²	ART N° E1006	ART N° E1007
MK 6/6	418	1+BET2	26	0.5 mm ²	6 mm ²	ART N° E1008	ART N° E1009
BK 3	275	1+BET2	21	0.5 mm ²	4 mm ²	ART N° E1010	ART N° E1011
BK 4	275	1+BET2	21	0.5 mm ²	4 mm ²	ART N° E1012	ART N° E1013
BK 6	275	1+BET2	21	0.5 mm ²	4 mm ²	ART N° E1014	ART N° E1015
BK 12	275	1+BET2	20	0.5 mm ²	4 mm ²	ART N° E1016	ART N° E1017
BTB 4 (4 way)	660	1+BET2	37			ART N° E1018	ART N° E1019
BTB 6 (6 way)	660	1+BET2	37	0.5 mm ² Stranded	4 x 6 mm ² or 2 x 10 mm ² + 1 x 6 mm ²	ART N° E1020	ART N° E1021
				See page 17 for permissible conductor arrangements			
DK 4Q	275	7+EK4	16	0.5 mm ²	4 mm ²	ART N° E1022	ART N° E1023
Earth Terminal							
EK 4				0.5 mm ²	4 mm ²		
EK 10				0.5 mm ²	10 mm ²		
BET 2				0.5 mm ²	4 x 6 mm ² or 2 x 10 mm ² + 1 x 6 mm ²		
				See page 17 for permissible conductor arrangements			
DFG 2				0.5 mm ²	2 x 6 mm ²		
QS 3 Earth Bars		3 per bar 2 bars per box		0.5 mm ²	4 mm ²	These earth bars are suitable for installations where plastic cable glands are used with an individual earth in each cable	

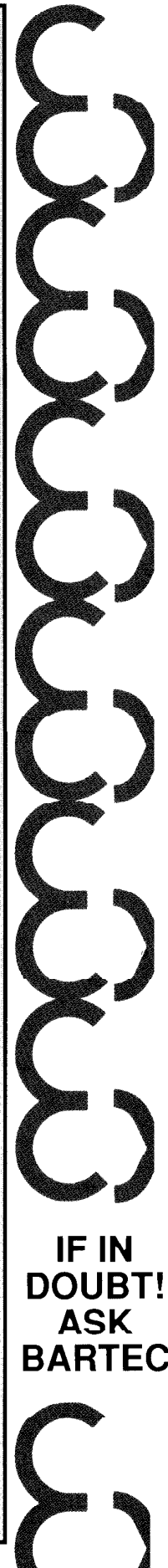
1. Not more than one single or multi-strand lead may be connected into either side of the feed-through terminals.
2. When additional rail mounted earth terminals are required, the number of feed-through terminals shall be reduced accordingly.
3. Combinations of different size terminals are permitted. Contact Bartec for further details.
4. Internal earth plates are available for providing continuity between cable entries and the internal earth terminal. The standard earth plate material is zinc plated steel.
5. Column 1 contains the maximum current values and terminal quantities permissible.
6. Bartec can supply Phoenix Ex terminals in this box if required. Contact Bartec for further details.
7. Klippon Polyamide terminals are available on request.
8. The BTB & BET2 type terminals may accept up to four conductors in each pillar terminal. See page 17 for further details.
9. The DK4Q terminals are double tiered. Each terminal has two feed-through connections.
10. Blue terminals and labels for Intrinsically Safe circuits are available if required.
11. Earth bars are also available if required.
12. When cross connections are used to join terminals, the maximum number of terminals may need to be reduced.

Typical Order Formats

(Please note that the new shortform order reference for the Ex type GB-5103-1221/2090 enclosure is **GB-122**)

(a) Enclosure
Ref. GB-122
 Art. No. E1001
 Without tappings

(b) Enclosure
Ref. GB-122
 C/W 6 x SAK 2.5 terminals
 Fitted with 3 x 2 pole jumper bars
 C/W 2 x EK4 earth terminals
 3 x M20 tappings
 Face A 2M, 3M
 Face B 3M
 C/W earth continuity plate



**IF IN
DOUBT!
ASK
BARTEC**