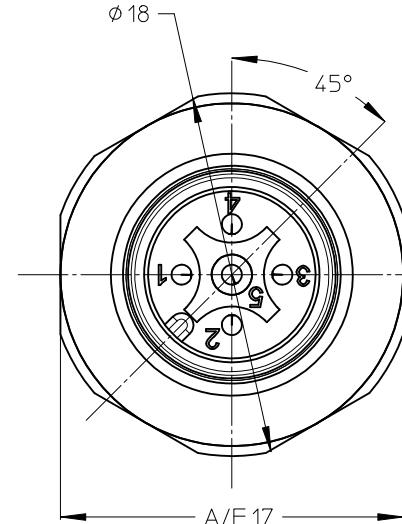
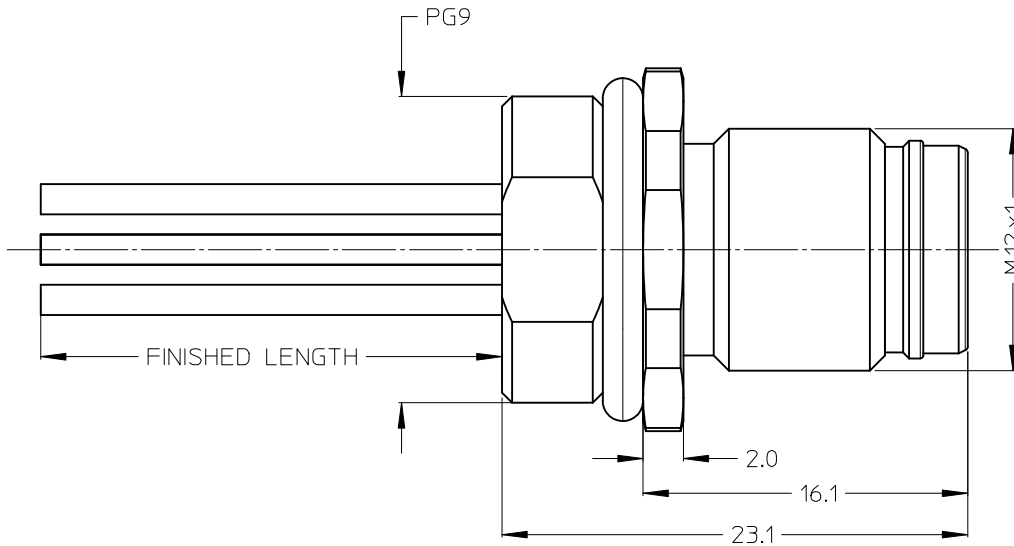
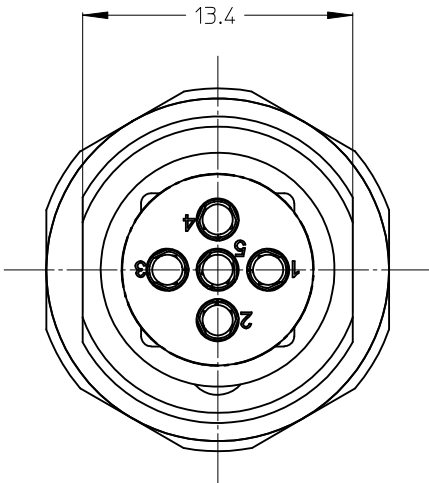
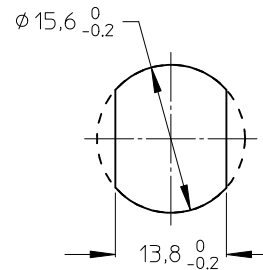
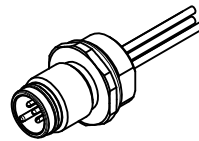


10 9 8 7 6 5 4 3 2 1



VOLTAGE RATING 250VAC/VDC
 AMPERAGE RATING 4A
 PROTECTION IP 67/68/69
 OPERATING TEMPERATURE -25°C / +90 °C
 UL CERTIFICATION FILE NO. E152210
 CAS CERTIFICATION FILE NO. LR6837



POL MATERIAL NO. ENGINEERING NO. FINISHED LENGTH
 4 1200845109 WR5J26E03C3003 300±10

Contact configuration	wire colour	wire mm ²	Part
M12 connector 	brown	0.34	1
	white	0.34	2
	blue	0.34	3
	black	0.34	4
	green/yellow	0.5	5

ITEM	COMPONENT	MATERIAL	FINISH
1	REC SHELL	BRASS	NICKEL PLATED
2	INSERT	PA 66 GF 25	BLACK
3	CONTACT	BRASS	Ni Au
4	CABEL	PVC	DIVERSE COLOR
5	O-RING	NBR70	BLACK
6	POTTING MATERIAL	EPOXY	---

ENTER DESCRIPTION
 EC NO: WEU2010-0309
 DRW: APOHL_WEU 2010/01/29
 CHKD: 2010/02/01
 APPR: FPACHER 2010/02/02

QUALITY SYMBOLS
 ▽=0
 ◻=0

GENERAL TOLERANCES (UNLESS SPECIFIED)

	mm	INCH
4 PLACES	±---	±---
3 PLACES	±---	±---
2 PLACES	±0.05	±---
1 PLACE	±0.1	±---
ANGULAR ±---°		

DRAFT WHERE APPLICABLE
 MUST REMAIN WITHIN DIMENSIONS

DIMENSION STYLE
 MM ONLY

DRAWN BY: APOHL_WEU DATE: 2010/01/29
 CHECKED BY: DATE:

APPROVED BY: FPACHER DATE: 2010/02/01

MATERIAL NO.

SCALE 4:1 DESIGN UNITS METRIC THIRD ANGLE PROJECTION

TITLE RECEPTACLE MALE M12-5P ULTRA LOCK, FRONT, PG9

MOLEX INCORPORATED

DOCUMENT NO. SD-120084-026 SHEET NO. 1 OF 1

THIS DRAWING CONTAINS INFORMATION THAT IS PROPRIETARY TO MOLEX INCORPORATED AND SHOULD NOT BE USED WITHOUT WRITTEN PERMISSION

9 8 7 6 5 4 3 2 1