

PATLITE®

Signal Beacons

SL / SK / SF

New

The Next Evolution of Beacons



Flashing Beacons **SL**

Standard light functions with flash settings

Rotating Beacons **SK**

Motorized rotation with efficient light output

Multi-Function Beacons **SF**

LED animations including simulated rotation



#1 Ranked Globally
in Signaling Devices

*1 Research Info Global, 2017

www.patlite.com

We are Dedicated to Safety



SL Series



SK Series



SF Series

Our first product innovation dates back to 1955 when we developed the micro-motor. The creation of this revolutionary product led to the development of a wide-range of warning devices including our first flagship product, the SK-12 rotating beacon light. Since then, signal beacons have been adopted worldwide as a primary device for warning and status indication applications.

Our S-Series Beacons represents our long history of engineering safety equipment and our deep commitment to creating safer, more secure environments, worldwide.

Features



Reliable

- Clearer, brighter signaling with improved reflector design
- High IP rating
- High durability and longer product life



Convenient

- Easy mounting and installation
- Maintenance-free
- Selectable wiring options

PATLITE Beacons

2020

SL / SK / SF series



1965

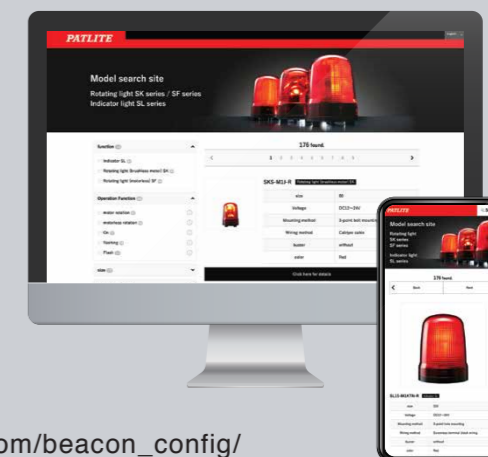
SK-12 model

Online Part Number Configurator

Visit our beacon configurator site to easily build a part number based on your requirements.



https://www.patlite.com/beacon_config/



Flashing Beacons

SL series

LED life 100,000 hours*1

Cable Type: IP23, IP65, IP66

Screwless Terminal Type: IP66

Sound Pressure: 88dB

Light Patterns: Continuous, Blinking, Triple-flash

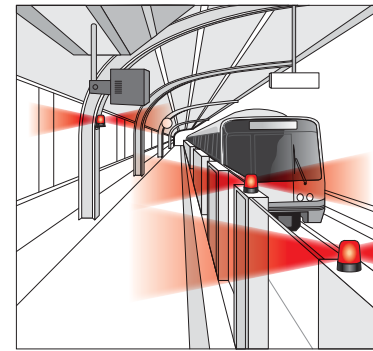
KT type, SL08: 86dB

Video of light patterns:

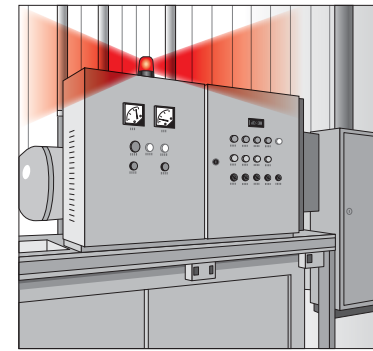


*1 Manufacturer specified value
*2 When used with rubber gasket (Sold Separately)

Application Examples



At this train station, a combination of flashing light and sound from the SL warns people at the platform of approaching trains.



The SL on this control panel alternates between continuous, blinking, and triple flashing lights to indicate normal, warning, and critical conditions respectively.



This SL is mounted on the ceiling of a store, indicating emergencies by flashing light, which is visible from a distance.

Model Number Configuration

SL10-M1KTB-R

Size	LED Color
08 : Φ80mm	R : Red
10 : Φ100mm	Y : Amber
15 : Φ150mm	G : Green
	B : Blue
Buzzer	
N : No Buzzer	
B : With Buzzer*1	
Rated Voltage	Mounting / Wiring
M1 : 12-24V DC	J : 3-Screw Mounting / Cable
M2 : 100-240V AC	KT : 2-Point Hole Type Mounting*2 / Terminal Block

*1 KT type only *2 SL15: 3-point hole type mounting

Rubber Gasket (Sold Separately) IP65

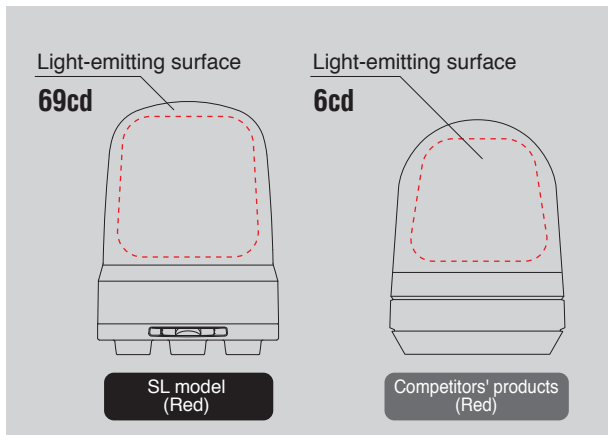


Full Visibility

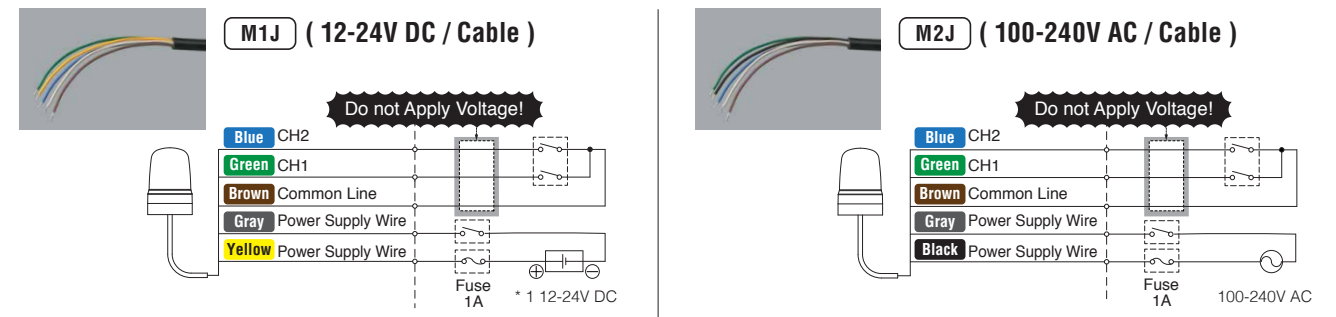
The newly developed Fresnel lens distributes ambient, uniform light from all surfaces of the globe, including the top.



Compared to competing products, the SL has a wider, light-emitting surface, with over 5 times the luminous intensity.



Wiring Diagrams

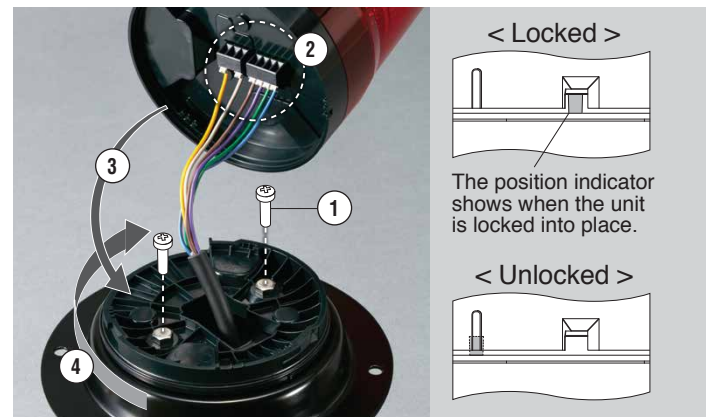


Easy Mounting

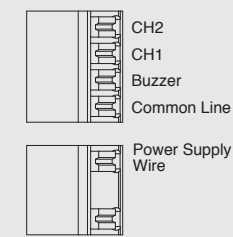
IP66 rating (KT type)

- 1 Screw in the mounting bracket
- 2 Connect wires to the push-in terminal block
- 3 Mount the body onto the mounting bracket
- 4 Lock into place

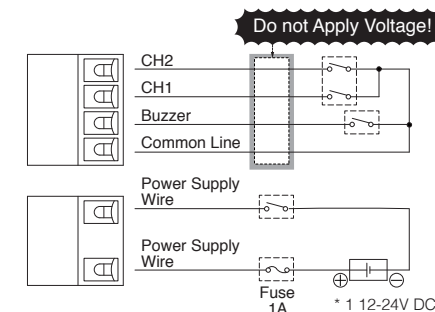
Mounting video



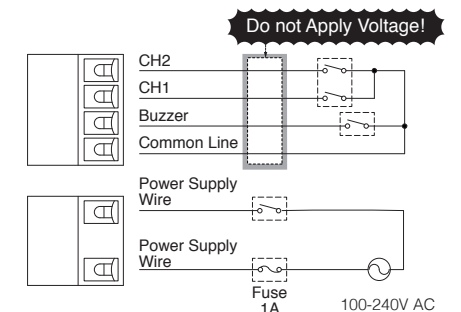
Terminal block arrangement



M1KT (12-24V DC / 2-Point Hole Type Mounting*2 - Terminal Block)



M2KT (120-240V AC / 2-Point Hole Type Mounting*2 - Terminal Block)



*1 Nonpolar. UL Class 2 specification
*2 SL15: 3-point hole type mounting

Rotating Beacons

SK series



SKS: Φ 80mm



SKH: Φ 100mm



SKP: Φ 150mm

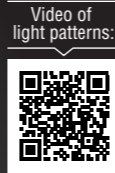
LED life
100,000
hours^{*1}

IP23

IP65^{*2}

Sound
Pressure
88dB

Rotating
(120rpm)



R : Red



Y : Amber



G : Green

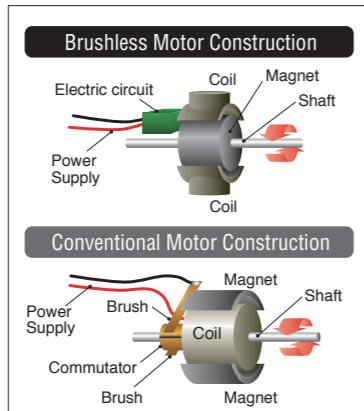
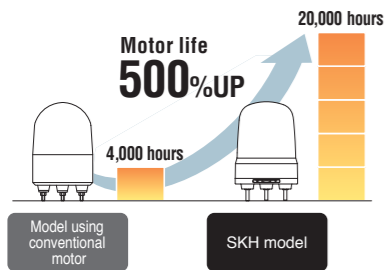


B : Blue

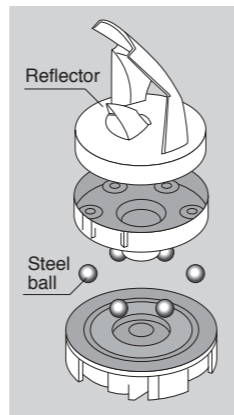
*1 Manufacturer specified value
*2 When used with rubber gasket (Sold Separately)

Durable and Reliable

The SK is equipped with a brushless motor, which produces less heating than a conventional motor, and has a longer motor life.



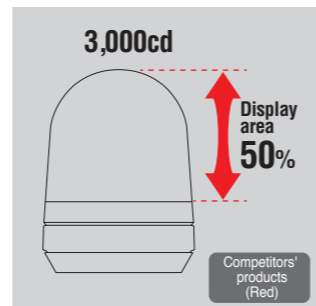
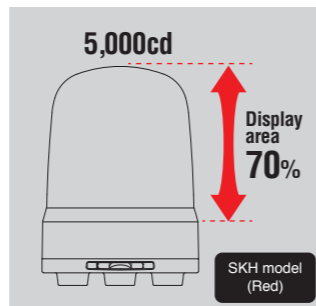
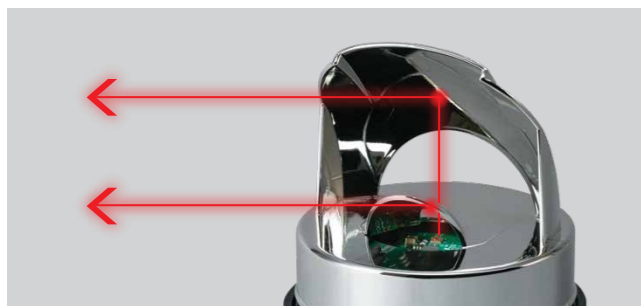
The steel ball bearings, located at the base of the reflector, are designed to greatly reduce wear over time and provides quiet reflector rotation.



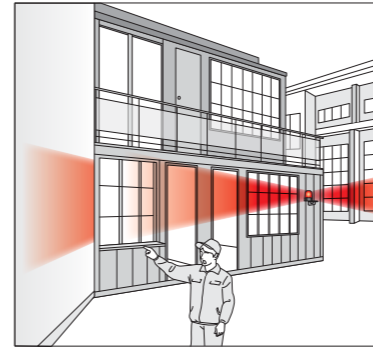
Higher Visibility

This newly developed dual-reflector efficiently distributes LED light, creating bright, even light output.

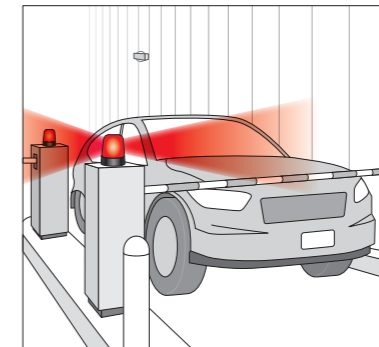
The light-emitting surface is designed to provide maximum visibility and effective visual signals.



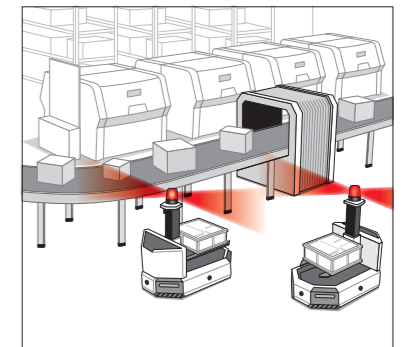
Application Examples



The distinct light rotation of the SK makes it suitable for providing efficient visual signaling in emergency situations.



Due to the long-life LEDs in the SK, it is used in 24-hour parking structures where there is an absence of parking attendants, as an "always-on" warning light.



The SK installed on this AGV gives bright, rotating indication to its surroundings while in motion, to prevent accidents in case a person is stepping in the path of the vehicle.

Model Number Configuration

SKH-M1JB-R

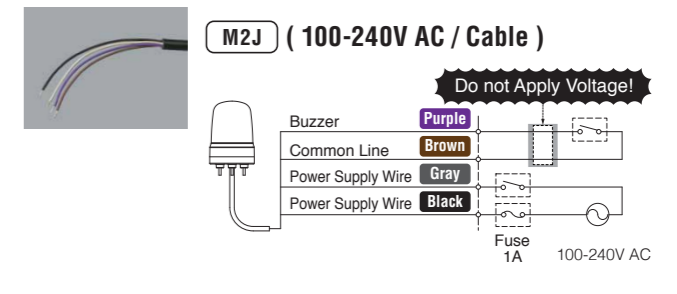
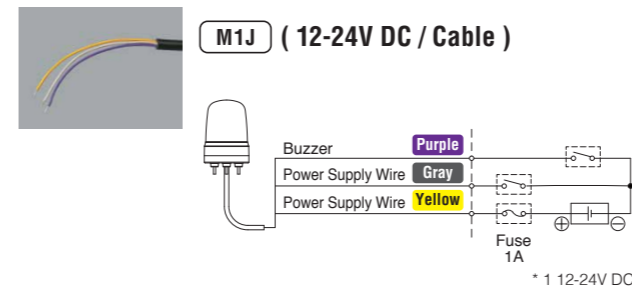
Size	LED Color
S : Φ 80mm	R : Red
H : Φ 100mm	Y : Amber
P : Φ 150mm	G : Green
	B : Blue
	Buzzer
	(None) : No Buzzer
	B : With Buzzer ^{*2}
Rated Voltage	Mounting / Wiring
M1 : 12-24V DC	J : Cable
M2 : 100-240V AC ^{*1}	T : Terminal Block ^{*2}

* 1 AC100V with AC plug only * 2 SKH type only

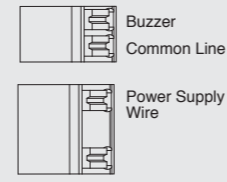
Rubber Gasket (Sold Separately) IP65



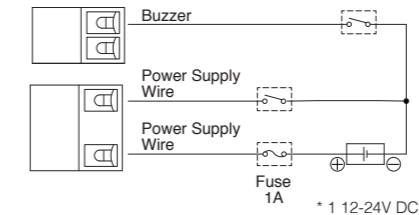
Wiring Diagrams



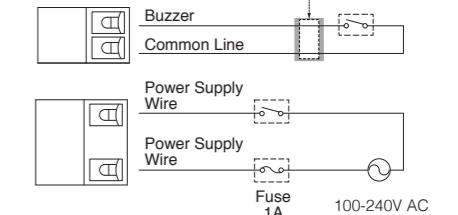
Terminal block arrangement



M1T (12-24V DC / Terminal Block)



M2T (120-240V AC / Terminal Block)



*1 Nonpolar. UL Class 2 specification

Multi-function Beacons

SF series

LED life 100,000 hours*1

Cable Type: IP23, IP65, IP66

Screwless Terminal Type: Sound Pressure 88dB, SF08: 86dB

22 Light Patterns: Rotating, Flash, Pulse

Video of light patterns:



SF08: Φ80mm



SF10: Φ100mm

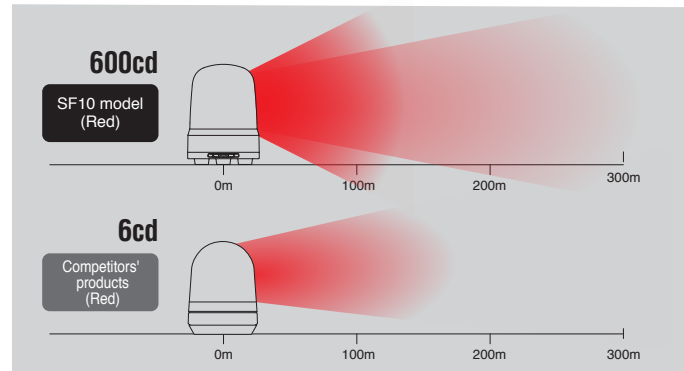


*1 Manufacturer specified value
*2 When used with rubber gasket (Sold Separately)

High Efficiency

This motorless, maintenance-free design produces LED animations including simulated rotation, flashing, and pulsing effects.

The SF is designed with PATLITE's newly developed multi-fresnel lens. This thin, rigid lens is capable of collecting and diffusing light more effectively than a conventional lens.



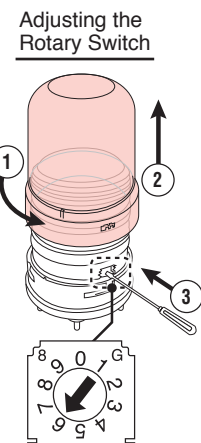
Wide Selection of Light Patterns

Select from 22 light patterns to indicate various statuses at your work field. The light pattern can easily be configured by adjusting the rotary switch and wiring channels.

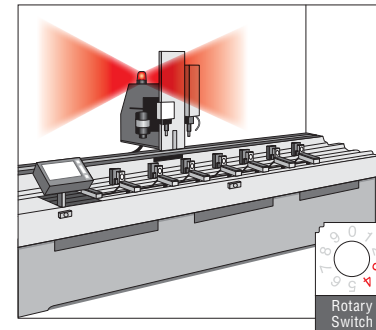
- [Examples of Usage]
- Reduce brightness during night time
 - Adjust flash speeds depending on urgency
 - Adjust rotation speeds depending on level of danger

Rotary switch	wiring		CH1	CH2	CH1	CH2	CH1	CH2
	OFF	OFF	ON	OFF	OFF	ON	ON	ON
0	Off	Rotating (120 rpm)	Triple-flash		Rotating (120 rpm)			
1	Off	Rotating (180 rpm)	Triple-flash		Rotating (180 rpm)			
2	Off	Triple-flash	Pulse pattern		Triple-flash			
3	Off	Rotating (60 rpm)	Rotation (120 rpm)		Rotating (180 rpm)			
4	Off	Single-flash	Double-flash		Triple-flash			
5	Triple-flash							
6	Pulse pattern							
7	Rotating (60 rpm)							
8	Rotating (120 rpm)							
9	Rotating (180 rpm)							

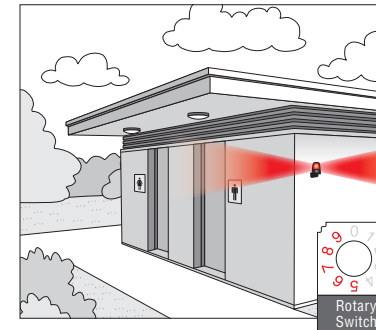
= Dimmed = Half-side emitted



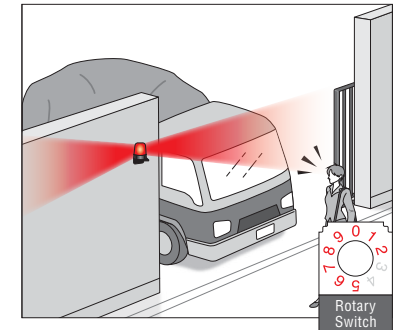
Application Examples



The SF is mounted on a fill machine to indicate multiple operation statuses using different rotation and flash settings. Select from 22 light patterns to provide unambiguous visual signals.



As the SF is powered on, visual signals will immediately begin to operate. This eliminates the need for a device to trigger operating functions for this type of application.



The SF is installed at a gate to warn pedestrians of large vehicles passing through. A timer switch is used to dim the light during dark hours to avoid blinding drivers.

Model Number Configuration

SF10-M1KTB-R

Size: 08 : Φ80mm, 10 : Φ100mm

Rated Voltage: M1 : 12-24V DC, M2 : 100-240V AC

Buzzer: N : No Buzzer, B : With Buzzer*1

Mounting / Wiring: J : 3-Screw Mounting / Cable, KT : 2-Point Hole Type Mounting / Terminal Block

LED Color: R : Red, Y : Amber, G : Green, B : Blue

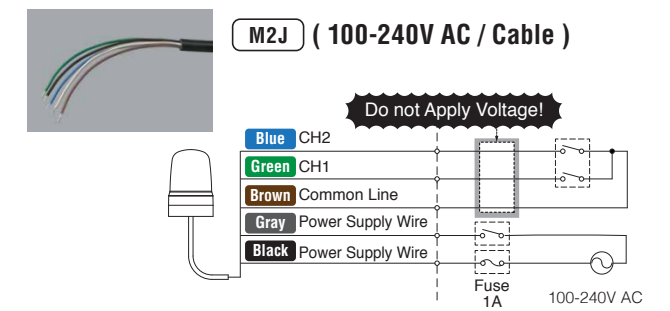
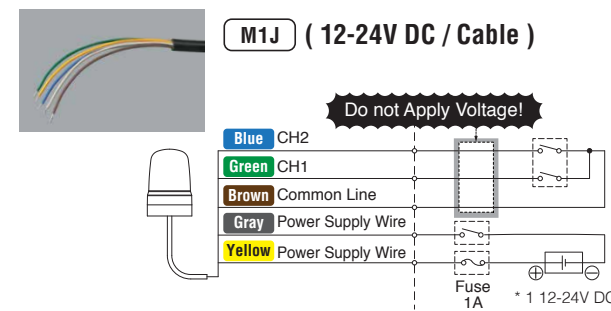
* KT type only

Rubber Gasket (Sold Separately) IP65

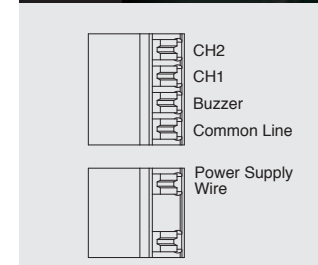


For 3-Screw Mounting / Cable type

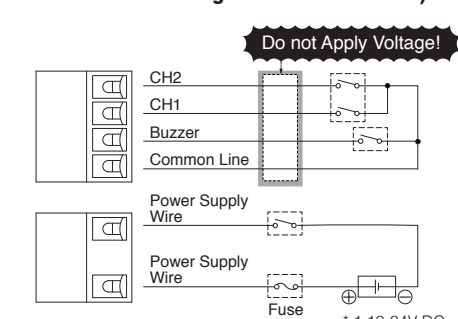
Wiring Diagrams



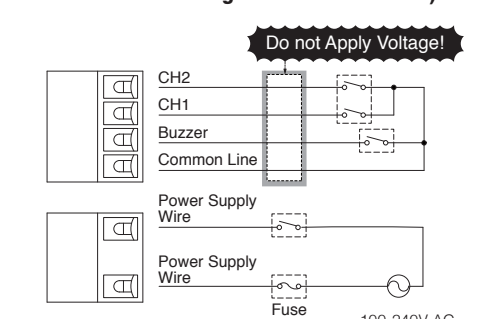
Terminal block arrangement



M1KT (12-24V DC / 2-Point Hole Type Mounting - Terminal Block)



M2KT (120-240V AC / 2-Point Hole Type Mounting - Terminal Block)



*1 Nonpolar. UL Class 2 Specification

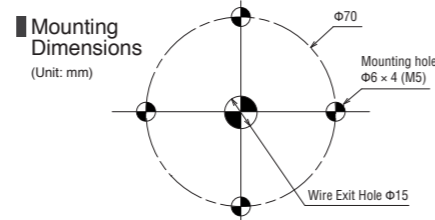
Optional Parts

For Wall Mounting



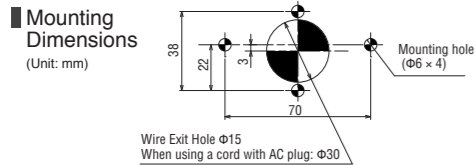
Wall Mount Bracket
(For $\Phi 80\text{mm}$ / $\Phi 100\text{mm}$)
SZK-101

Material: PC
Compatible models: SKS * / SKH * / SL08-SL10 / SF08-SF10
* 3-screw types require rubber gasket.
Not compatible with AC plugs.



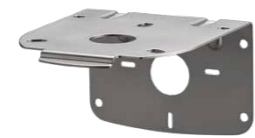
Wall Mount Bracket
(For $\Phi 80\text{mm}$ / $\Phi 100\text{mm}$)
SZK-102 **Resistant to Rust**

Material: SUS
Compatible models: SKS-SKH / SL08-SL10 / SF08-SF10



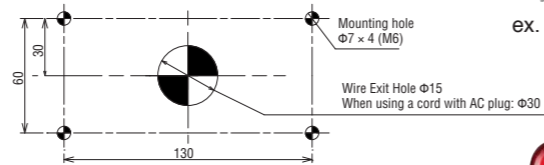
Wall Mount Bracket Cover
SZK-104

Material: PC
Compatible models: SZK-102



Wall Mount Bracket
(For $\Phi 150\text{mm}$)
SZK-103 **Resistant to Rust**

Material: SUS
Compatible models: SKP / SL15



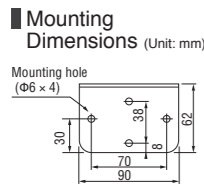
Wall Mount Bracket Cover
SZK-105

Material: PC
Compatible models: SZK-103



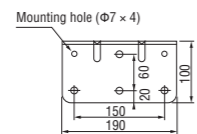
Wall Mount Bracket
SZ-007

Material: SECC
Compatible models: SKS-SKH / SF08-J / SF10-J / SL08-J / SL10-J



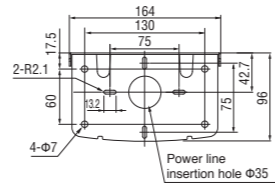
Wall Mount Bracket
SZ-008

Material: SECC
Compatible models: SKS-SKH-SKP / SF08-J / SF10-J / SL08-J / SL10-J / SL15-J



Wall Mount Bracket
SZ-023

Material: Bracket...SECC / Bracket Cover...AES
Compatible models: SKS-SKH-SKP / SF08-J / SF10-J / SL08-J / SL10-J / SL15-J

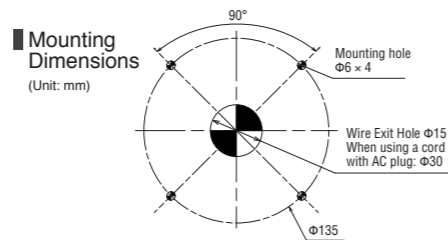


For Ceiling Mounting



Ceiling Mount Bracket
(For $\Phi 100\text{mm}$)
SZW-101

Material: SPCE
Compatible models: SKH / SL10 / SF10



Rubber Gasket

Using this rubber gasket, IP23 models become IP65.



Rubber Gasket
(For $\Phi 80\text{mm}$)
SZW-102

Material: Silicone
Compatible models: SKS / SL08-J / SF08-J
3-Screw Mounting Type



Rubber Gasket
(For $\Phi 100\text{mm}$)
SZW-103

Material: Silicone
Compatible models: SKH / SL10-J / SF10-J
3-Screw Mounting Type



For Pole Mounting

Upper Bracket
(For $\Phi 100\text{mm}$)
SZP-101

Material: PC
Compatible models*: SKH / SL10 / SF10

*1 3-screw types require rubber gasket.
Not compatible with AC plugs.



Aluminum Pole N type (non-threaded)

100mm	POLE22-0100AN
300mm	POLE22-0300AN
500mm*2	POLE22-0500AN
800mm*2	POLE22-0800AN
1000mm*2	POLE22-1000AN

*2 Compatible brackets: SZK-001U, SZP-002U, SZ-010

Aluminum Pole T type (threaded)

100mm	POLE22-0100AT
300mm	POLE22-0300AT
500mm	POLE22-0500AT
800mm	POLE22-0800AT
1000mm	POLE22-1000AT



Aluminum Pole Bracket
(Compatible with N type)



Aluminum Pole Bracket
(Compatible with T type)



Aluminum Pole Bracket
(Compatible with N and T types)



NPT Bracket
(1/2" NPT Internal Threads)



Replacement Parts

Compatible with all SL, SK, and SF Models

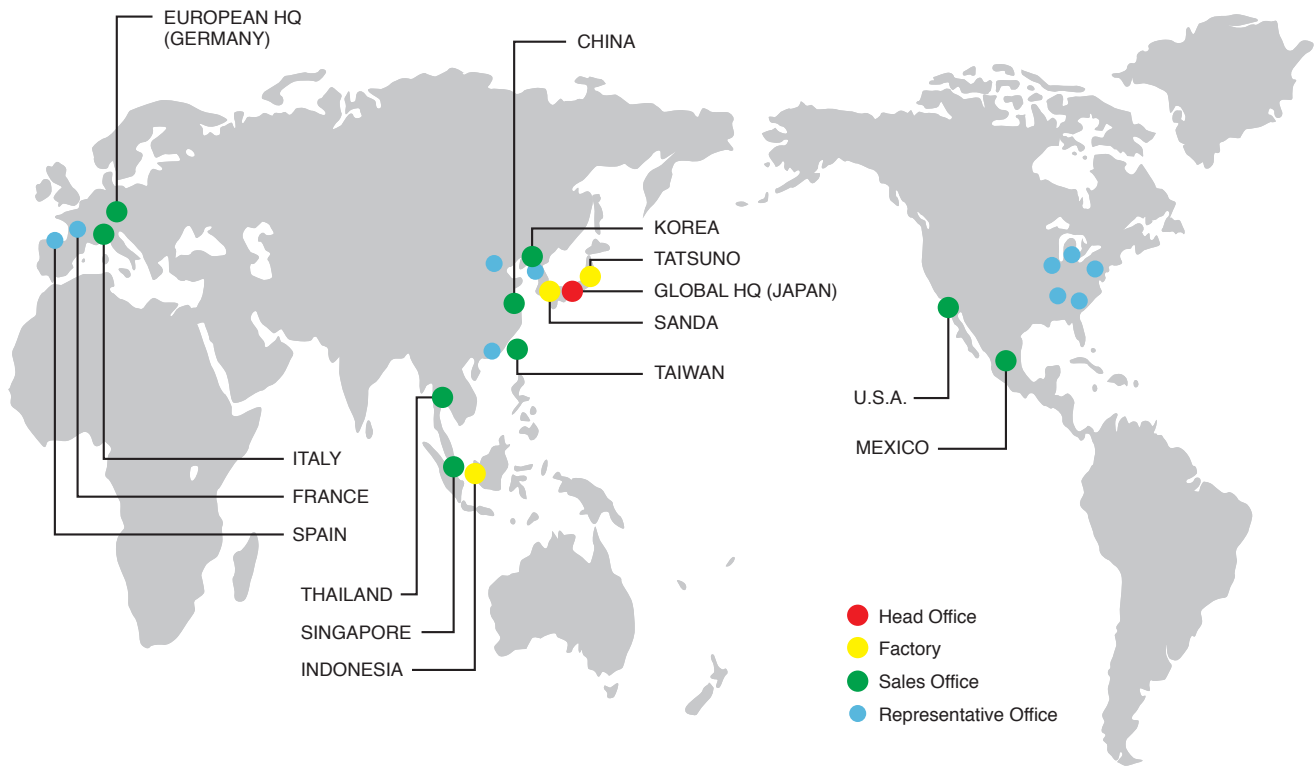
	SKS/SF08/SL08 $\Phi 80\text{mm}$	SKH*3/SF10/SL10 $\Phi 100\text{mm}$	SKP*4/SL15 $\Phi 150\text{mm}$		
Globe	Red	GA0000029-F1	GA0000033-F1	Red	GA0000037-F1
	Amber	GA0000030-F1	GA0000034-F1	Amber	GA0000038-F1
	Green	GA0000031-F1	GA0000035-F1	Green	GA0000039-F1
	Blue	GA0000032-F1	GA0000036-F1	Blue	GA0000040-F1
Waterproof ring	GA0000794-F1		GA0000795-F1	GA0000796-F1	

For KT Type (2-point or 3-point hole type mounting / terminal block)

	SF08/SL08 $\Phi 80\text{mm}$	SF10/SL10 $\Phi 100\text{mm}$	SL15 $\Phi 150\text{mm}$
Mounting bracket (With waterproof ring and waterproof sheet)	GA0000512-F1	GA0000513-F1	GA0000514-F1
Waterproof sheet	GA0000498-F1	GA0000499-F1	GA0000500-F1

* 3 Not compatible with SKH-A / SKH-EA. * 4 Not compatible with SKP-A.

PATLITE Global Network



PATLITE Corporation

4-1-3, Kyutaramachi, Chuo-ku, Osaka 541-0056 Japan
 International Sales Division
 TEL.+81-6-7711-8953 FAX.+81-6-7711-8961 E-mail: overseas@patlite.co.jp

PATLITE (U.S.A.) Corporation

20130 S. Western Ave. Torrance, CA 90501, U.S.A.
 TEL.+1-310-328-3222 FAX.+1-310-328-2676 E-mail: sales@patlite.com

PATLITE (SINGAPORE) PTE LTD

No.2 Leng Kee Road, #05-01 Thye Hong Centre, Singapore 159086
 TEL.+65-6226-1111 FAX.+65-6324-1411 E-mail: sales@patlite.com.sg

PATLITE (CHINA) Corporation

Room 1102-1103, No.55, Lane 777, Guangzhong Road (West), Zhabei District, Shanghai, China 200072
 TEL.+86-21-6630-8969 FAX.+86-21-6630-8938 E-mail: sales@patlite.cn

PATLITE Europe GmbH

Am Soeldnermoos 8, D-85399 Hallbergmoos, Germany
 TEL.+49-811-9981-9770-0 FAX.+49-811-9981-9770-90 E-mail: info@patlite.eu

PATLITE KOREA CO., LTD.

A-2603, Daesung D-POLIS, 606, Seobusaet-gil, Geumcheon-gu, Seoul, 08504, Korea
 TEL.+82-2-523-6636 FAX.+82-2-861-9919 E-mail: sales@patlite.co.kr

PATLITE TAIWAN CO., LTD.

2F-1, No.215, Sec. 2, Chengde Rd., Datong Dist., Taipei City 10364, Taiwan (R.O.C.)
 TEL.+886-2-2555-1611 FAX.+886-2-2555-1621 E-mail: info@patlite.tw

PATLITE (THAILAND) CO., LTD.

Olympia Thai Tower, 15th Floor 444 Ratchadapisek Road Samsennok, Huay Kwang Bangkok 10310, Thailand
 TEL.+66-2-541-5431 FAX.+66-2-541-5429 E-mail: sales_150716@patlite.co.th

PATLITE MEXICO S.A. de C.V.

Plaza de La Paz No. 102, int. 712 Guanajuato Puerto Interior, Silao, Gto, C.P.36275, Mexico
 TEL.+52-472-748-9124 E-mail: ventas@patlite.com.mx

www.patlite.com

CAUTION

To ensure correct use of these products, read the "Instruction Manual" prior to use. Failure to follow all safeguards can result in fire, electric shock, or other accidents. Specifications are subject to change without notice.

●PATLITE, the PATLITE logo are either registered trademarks or trademarks of PATLITE Corporation in JAPAN and/or other countries.
 ●The names of other companies and products are trademarks or registered trademarks of their respective companies.