



LEADING CHANGEOVER SWITCH CHANGEOVER CONTACTS Type HQ (7mm)
ACCESSORY FOR 3VA1 and 3VA20 up to 3VA25

Model	
product brand name	SETRON
product designation	Leading auxiliary switch
design of the product	Accessories for 3VA circuit breakers
accessories	Leading auxiliary switch
General technical data	
degree of pollution	3
overvoltage category	III
lead time / relating to main contacts	20 ms
Voltage	
surge voltage resistance	4 kV
operating voltage / at AC / at 50 Hz / rated value / minimum	240 V
operating voltage / at DC / rated value / minimum	250 V
Current	
thermal current	6 A
operational current	
• at AC-12 / at 12 V	6 A
• at AC-12 / at 24 V	6 A
• at AC-12 / at 48 V	6 A
• at AC-12 / at 125 V	6 A
• at AC-12 / at 220/240 V	6 A
• at DC-12 / at 12 V	6 A
• at DC-12 / at 24 V	4 A
• at DC-12 / at 48 V	2 A
• at DC-12 / at 110 V	0.5 A
• at DC-12 / at 250 V	0.25 A
• at DC-13 / at 12 V	1 A
• at DC-13 / at 24 V	0.8 A
• at DC-13 / at 48 V	0.4 A
• at DC-13 / at 110 V	0.2 A
• at DC-13 / at 250 V	0.1 A
• at AC-15 / at 12 V	3 A
• at AC-15 / at 24 V	3 A
• at AC-15 / at 48 V	3 A
• at AC-15 / at 125 V	3 A
• at AC-15 / at 220/240 V	3 A
Mechanical Design	
height	56 mm
width	7 mm
depth	30 mm

tightening torque / with screw-type terminals / minimum	0.4 N·m
tightening torque / with screw-type terminals / maximum	0.5 N·m
Connections according IEC	
stripped length	15 mm
AWG number / as coded connectable conductor cross section / for auxiliary contacts	
• minimum	20
• maximum	16
Connections according UL	
stripped length [in]	0.6 in
tightening torque [lbf·in] / with screw-type terminals / minimum	3.5 lbf·in
tightening torque [lbf·in] / with screw-type terminals / maximum	4.4 lbf·in
Certificates	
General Product Approval	EMC



[Miscellaneous](#)

[KC](#)



Declaration of Conformity	Test Certificates	Marine / Shipping	other
	Type Test Certificates/Test Report	Confirmation	Miscellaneous
other	Environment		
Miscellaneous	Environmental Conformations		

Further information

Siemens has decided to exit the Russian market (see here).
<https://press.siemens.com/global/en/pressrelease/siemens-wind-down-russian-business>

Siemens is working on the renewal of the current EAC certificates.
Please contact your local Siemens office on the status of validity of the EAC certification if you intend to import or offer to supply these products to an EAC relevant market (other than the sanctioned EAEU member states Russia or Belarus).

Information on the packaging
<https://support.industry.siemens.com/cs/ww/en/view/109813875>

Information- and Downloadcenter (Catalogs, Brochures,...)
<http://www.siemens.com/lowvoltage/catalogs>

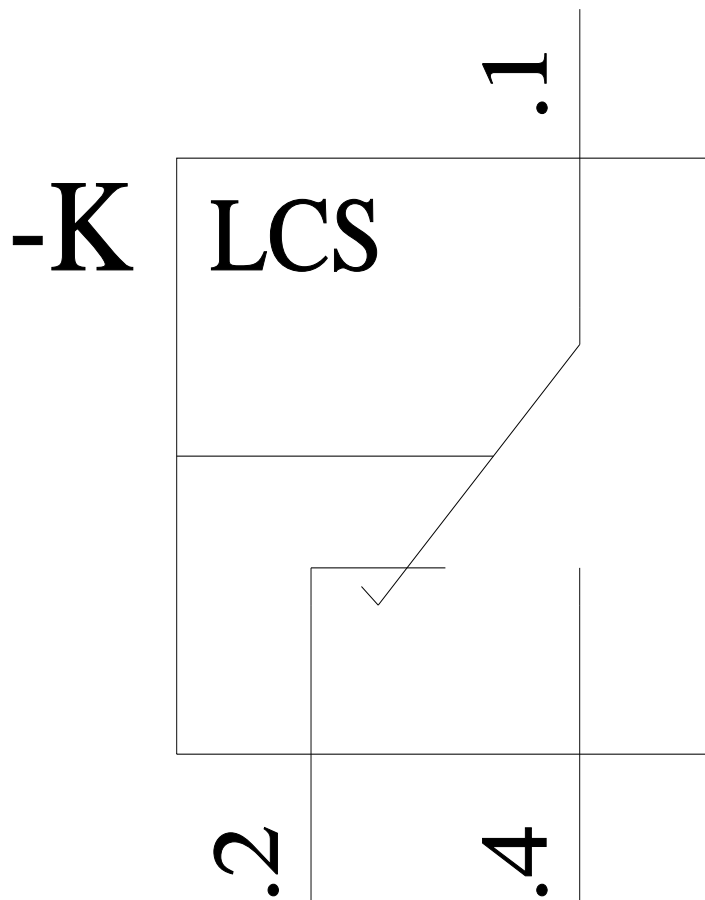
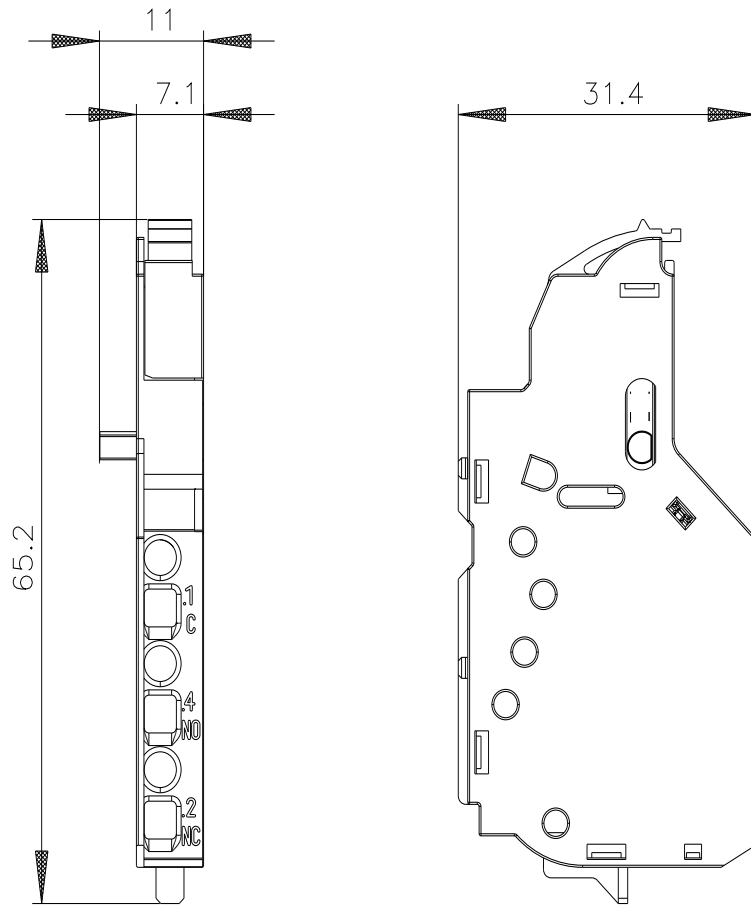
Industry Mall (Online ordering system)
<https://mall.industry.siemens.com/mall/en/en/Catalog/product?mlfb=3VA9988-0AA22>

Service&Support (Manuals, Certificates, Characteristics, FAQs,...)
<https://support.industry.siemens.com/cs/ww/en/ps/3VA9988-0AA22>

Image database (product images, 2D dimension drawings, 3D models, device circuit diagrams, ...)
http://www.automation.siemens.com/bilddb/cax_en.aspx?mlfb=3VA9988-0AA22

CAX-Online-Generator
<http://www.siemens.com/cax>

Tender specifications
<http://www.siemens.com/specifications>



last modified:

12/20/2020

