

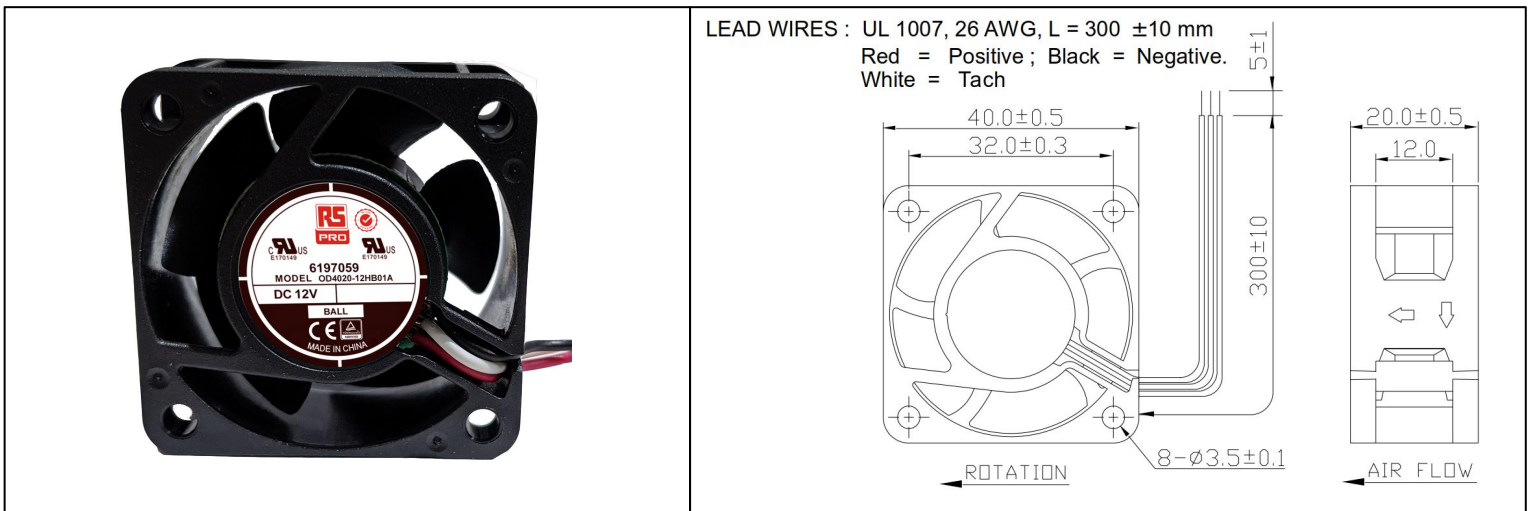


Datasheet

RS PRO DC FAN 40x20mm

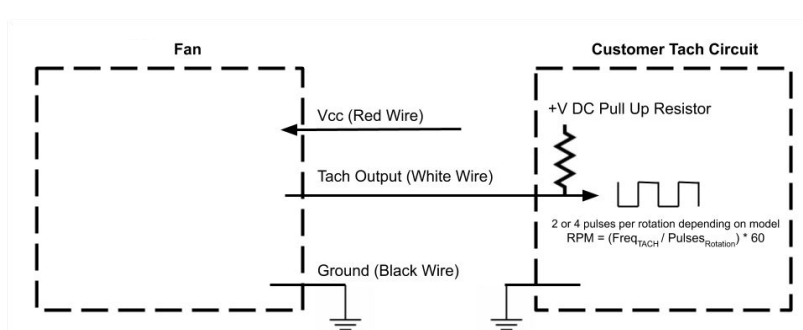
Stock Number: 619-7059

EN



Frame	PBT UL94 V-0 Plastic	<p><u>Operating Temperature</u> -10°C ~ +70°C</p> <p><u>Storage Temperature</u> -40°C ~ +70°C</p> <p><u>Life Expectancy</u> 70,000 hours (L10 at 40°C)</p> <p>Weight: 0.028Kgs (0.06 lbs)</p>	
Impeller	PBT UL94 V-0 Plastic		
Connection	3x Wire Leads, 26 AWG		
Motor	Brushless DC Motor, Polarity Protected		
Bearing System	Dual Ball Bearings		
Dielectric Strength	500 VAC/min < 1mA		
Insulation Resistance	10M ohm between leadwire and frame (500VDC)		

Model Number	619-7059
Rated Voltage	12 VDC
Voltage Range	10.8 ~ 13.2 VDC
Rated Current	0.15 A
Rated Speed (RPM)	7800
Airflow (CFM)	8.4
Noise Level (dB)	34
Max. Static Pressure	0.29" H ₂ O



Tach Max Voltage = 12V
 Tach Max Current = 5mA
 Tach Low Voltage ≤ 1.0V
 Tach Pulses per rotation = 2