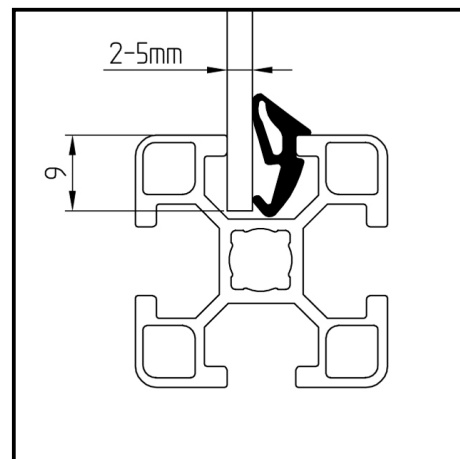
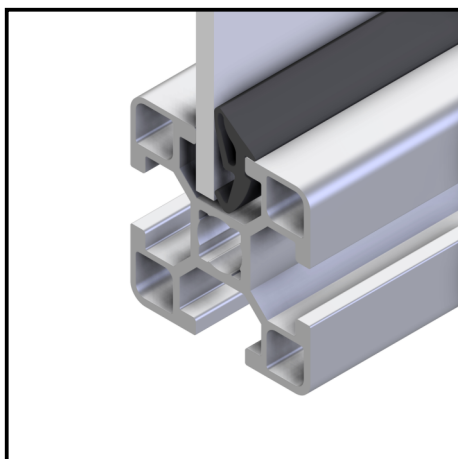
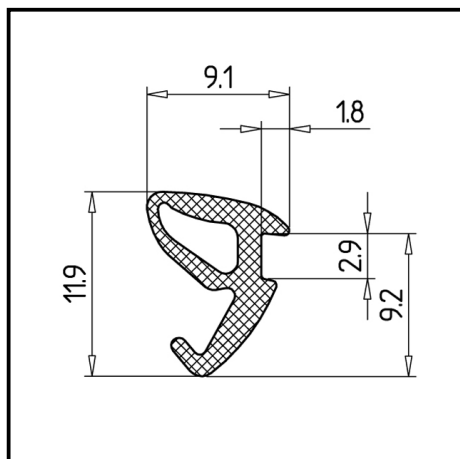


## INSERT SEAL 30

Article Nr. 22.1174/0

[See the product on the website](#) →

[Download CAD Files](#) →



### TECHN. DATA / ITEMS SUPPLIED

- EPDM, black
- Roll length 100 m
- Weight = 0.050 kg/m

### APPLICATIONS

- Fastening and sealing of panels directly in the profile groove, for panels 2-5 mm thick

### ASSEMBLY

- Insert panel into profile groove, next push gasket in manually or with an appropriate, wooden or plastic tool