

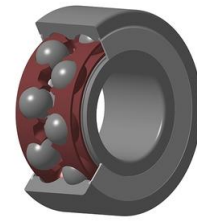


Brand of NTN corporation

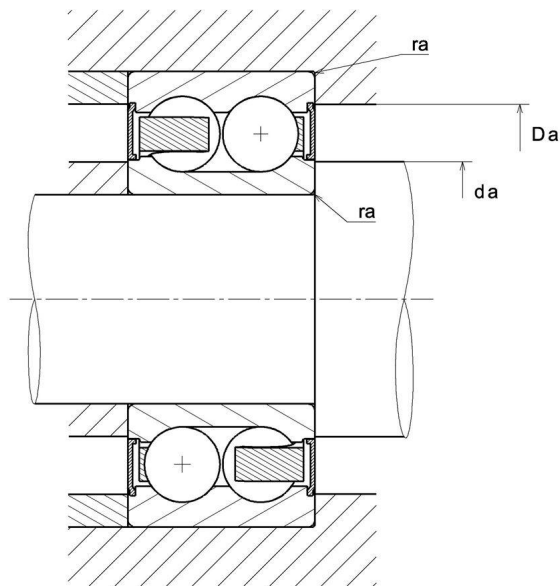
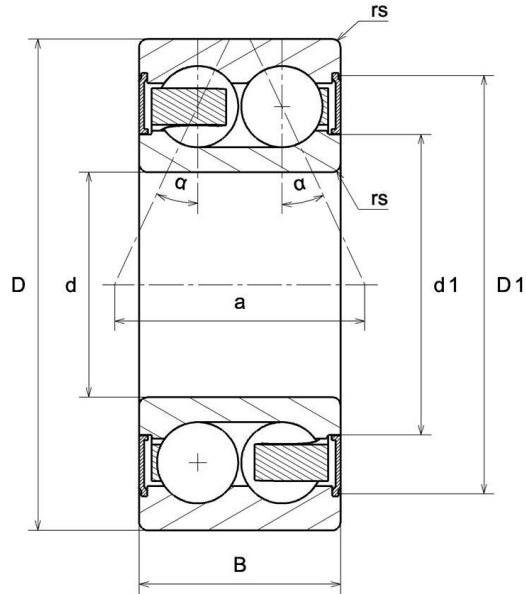
Technical data

5313ZZG15

Double row angular contact ball bearings



VISUAL (S)



NTN Europe

1 rue des Usines · BP 2017 · 74010 Annecy Cedex · France · Tel. +33 (0)4 50 65 30 00
S.A. au capital de 322 639 919 € · RCS ANNECY B 325 821 072 · Id. Fiscale : FR 48 325 821 072
SIRET 325 821 072 00015 · Code APE 2815 Z · Code NACE 28.15

5313ZZG15

Double row angular contact ball bearings

PRODUCT DEFINITION

Brand	SNR
d - Internal diameter	65 mm
D - External diameter	140 mm
B - Bearing/Inner ring width	58,7 mm
d1 - External diameter inner ring	88,25 mm
D1 - Inner diameter outer ring	122,7 mm
a - Charge load application point	73,3 mm
- Contact angle	25 °
rs - Min fillet radius	2,1 mm
Radial clearance class	CN
Precision class	P0
Mass	3,39 kg

PRODUCT PERFORMANCE

C - Dynamic load	145000000 mN
C0 - Static load	118000000 mN
Cu - Fatigue limit load	7300000 mN
f0 - Coefficient	13.6
N ref - Reference thermal speed	27000 °/s
N lim - Mechanical Limit Speed	22200 °/s
Tmin - Min operating temperature	253,15 °K
Tmax - Max operating temperature	393,15 °K

BEARING FREQUENCIES

BPFO - Over rolling frequency on outer ring (60 rpm)	3.138 Hz
---	----------



NTN Europe

1 rue des Usines · BP 2017 · 74010 Annecy Cedex · France · Tel. +33 (0)4 50 65 30 00
S.A. au capital de 322 639 919 € · RCS ANNECY B 325 821 072 · Id. Fiscale : FR 48 325 821 072
SIRET 325 821 072 00015 · Code APE 2815 Z · Code NACE 28.15

5313ZZG15

Double row angular contact ball bearings

BEARING FREQUENCIES

BPFI - Over rolling frequency on inner (60 rpm)	4.862 Hz
BSF - Over rolling frequency on rolling element (60 rpm)	4.009 Hz
BRF - Rotational frequency - rolling element (60 rpm)	2.005 Hz
FTF - Rotational frequency - cage (60 rpm)	0.392 Hz

ABUTMENT

da min - Min shoulder diameter IR	76 mm
da max - Max shoulder diameter IR	88,25 mm
Da max - Max shoulder diameter OR	129 mm
ra max - Max shaft & housing fillet radius	2 mm



NTN Europe

1 rue des Usines · BP 2017 · 74010 Annecy Cedex · France · Tel. +33 (0)4 50 65 30 00
S.A. au capital de 322 639 919 € · RCS ANNECY B 325 821 072 · Id. Fiscale : FR 48 325 821 072
SIRET 325 821 072 00015 · Code APE 2815 Z · Code NACE 28.15