



Instruction Manual

Panel Kit for 871-8308 MID Meter (96mm)

Panel Mounting Kit For DIN Rail Power Meter.

UK



UK

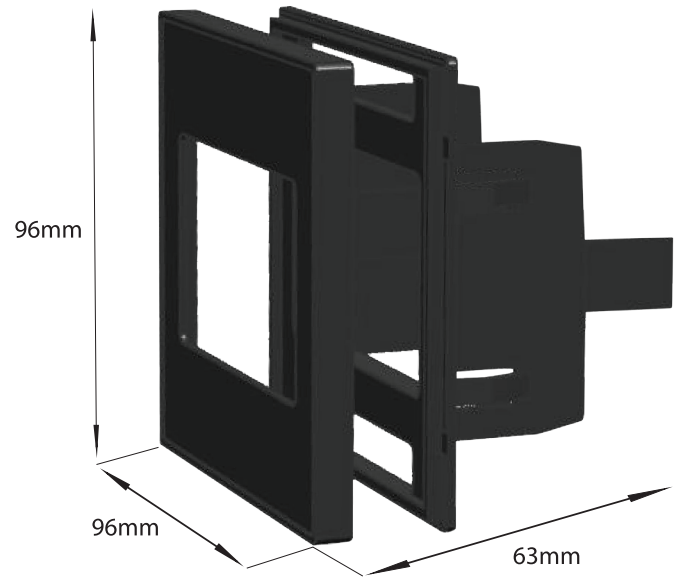
The 871-8311 Panel Kit provides a solution to a MID approved multifunction meter. This Panel Kit works in comparison with the 871-8308 3 Phase Power Meter 1/5A MID which comes as a Dinrail mounted meter. The Panel Kit acts as a cradle which holds the Dinrail meter securely in place, the fascia of the Panel Kit creates a 96mm² fascia. The 871-8311 Panel Kit consists of two separate components making it practical, fast and easy to install.

When installing the 871-8308 meter using the Panel Kit, you will notice clips on either side, this is so that once the Panel Kit is pushed into the 92mm² cut out, the clips hold the cradle in place securely.

The reason for the separate front plate is so that when the meter is held securely within the cradle, the terminal screws are still accessible at the front of the meter without having to remove it from the Panel Kit. This allows for an easier wiring solution for setup and any adjustments.

Once the meter has been wired in place, the front plate can be clipped on, allowing the screen of the meter to be visible within the 96mm² square panel enclosure. Due to the 871-8308 meter featuring touch-screen buttons, the user can cycle through all parameter options whilst the meter is secured within the Panel Kit.

Dimensions



Panel Kit:
Height: 96mm
Length: 96mm
Depth: 63mm
Face Hole:
Height: 41mm
Length: 71mm

