

Connecting piece M25/M25 for connection of 2 enclosures, Metal, with hexagon nut



Product brand name	SIRIUS ACT
Product designation	Connection piece
Design of the product	M25/M25 for connecting 2 enclosures
Product type designation	3SU1

General technical data	
Protection class IP	IP66, IP67, IP69(IP69K)

Installation/ mounting/ dimensions	
Mounting height	3.6 mm

Accessories	
Material of accessory	Metal
Color of accessory	Silver

Certificates/approvals	
------------------------	--

General Product Approval	Declaration of Conformity	Test Certificates
--------------------------	---------------------------	-------------------



[Miscellaneous](#)

[Type Test Certificates/Test Report](#)

Marine / Shipping



other

[Confirmation](#)

Further information

Information- and Downloadcenter (Catalogs, Brochures,...)

<http://www.siemens.com/industrial-controls/catalogs>

Industry Mall (Online ordering system)

<https://mall.industry.siemens.com/mall/en/en/Catalog/product?mlfb=3SU1950-0HL10-0AA0>

Cax online generator

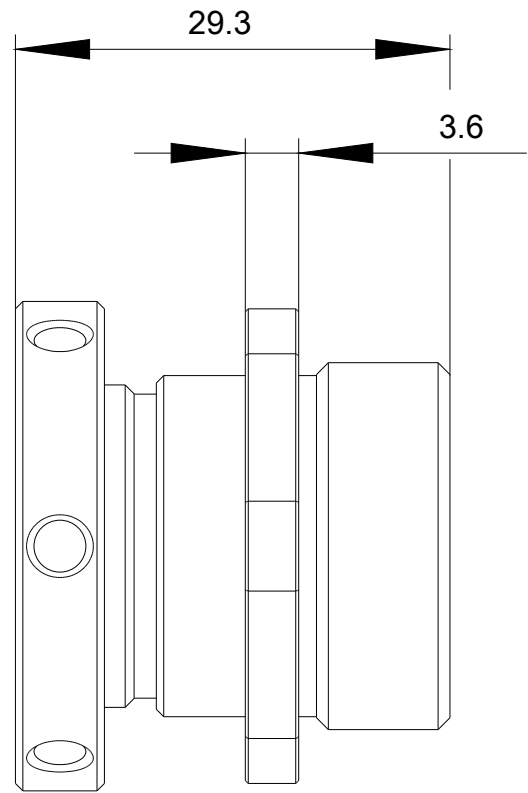
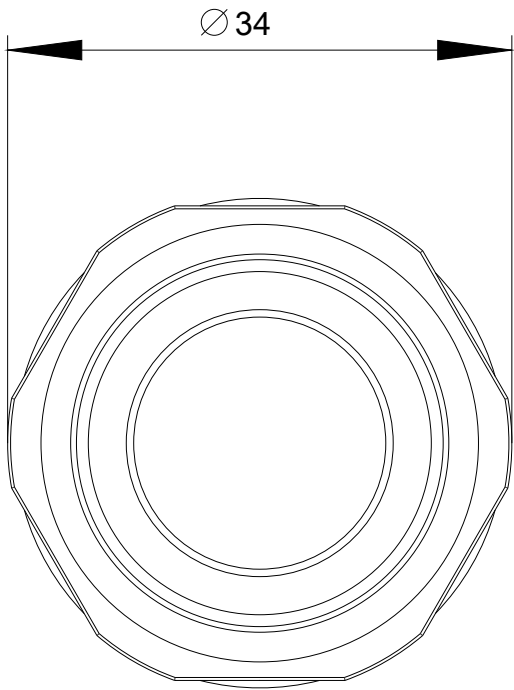
<http://support.automation.siemens.com/WW/CAXorder/default.aspx?lang=en&mlfb=3SU1950-0HL10-0AA0>

Service&Support (Manuals, Certificates, Characteristics, FAQs,...)

<https://support.industry.siemens.com/cs/ww/en/ps/3SU1950-0HL10-0AA0>

Image database (product images, 2D dimension drawings, 3D models, device circuit diagrams, EPLAN macros, ...)

http://www.automation.siemens.com/bilddb/cax_de.aspx?mlfb=3SU1950-0HL10-0AA0&lang=en



last modified:

09/12/2019