



Test report included!
Prüfbericht inklusive!



- Capacity 10 - 530 l/min
- 2" connections
- High suction lift (8,5 Mtr)
- Standard equipped with Santoprene diaphragms & valves
- Suitable for high Viscous liquids
- Low noise (75 dBA)
- Pump body: Alu. (Komaxit coated)
- Suitable for abrasive liquids
- Low air-consumption !
- Dry running capability
- Low maintenance and parts costs
- Bolted (SST) leakage free design
- No Air leakage at liquid stop
- Made in EU

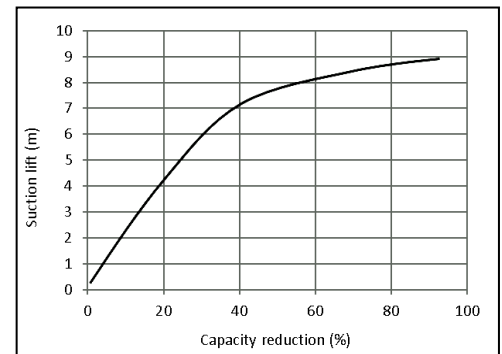
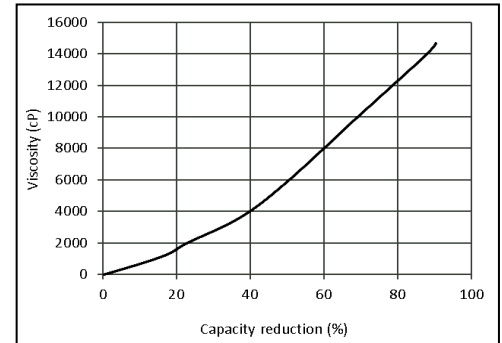
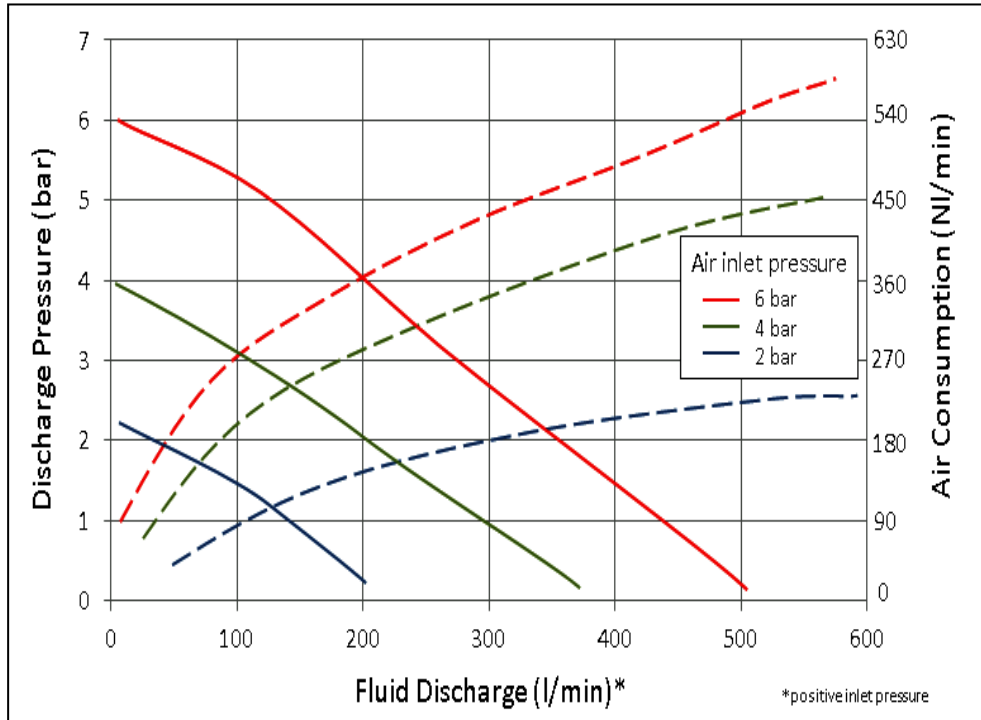
- Kapazität 10 - 530 l/min
- Variable 2" Anschlüsse
- Hohe Saugleistung (8,5 Mtr)
- Standardmässig mit Santoprene Membranen und Ventilen ausgestattet
- Geeignet für hochviskose Medien
- Äusserst leise (75 dBA)
- Pumpengehäuse: Alu.(Komaxit beschichtet)
- Beständig gegen abrasive Flüssigkeiten
- Geringer Luftverbrauch
- Trockenlauf geeignet
- Niedrige Wartungs- und Ersatzteilkosten
- Bolzen (SST) leckagefreie Ausführung
- Bei Betriebsstopp kein Druckluftverlust
- Made in EU

APPLICATIONS

CHEMICALS • SOLVENTS • PLATING • ACIDS • OILS • INKS • GLUES • ALKALIES • ENAMEL
POLYESTER PAINT • WASTE WATER • COOLING LIQUIDS • FOAMS • HYDRAULIC OILS

xylem
Let's Solve Water

Flowchart 2" Series / Flussdiagramm 2" Series

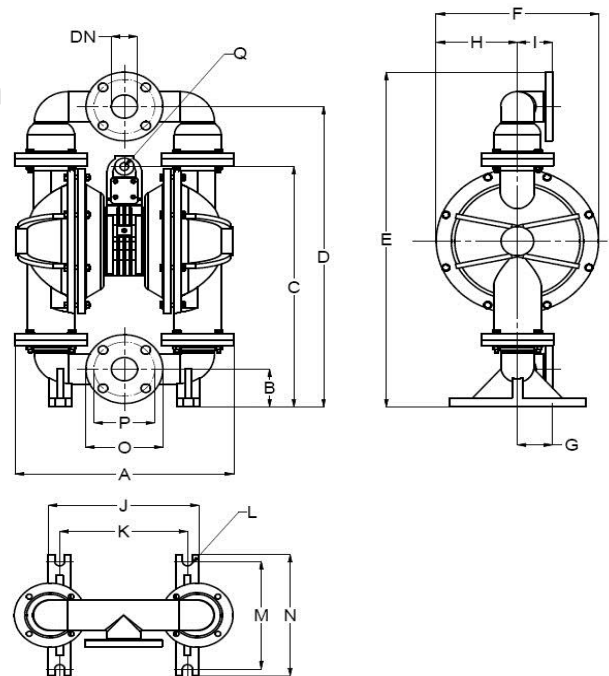


Available types - Verfügbare Typen

Type	liquid wetted parts - Temperature Limits
T530-AX-D	Alu / Santoprene 0 to +100 degr.C.
T530-ANB-D	Alu / NBR 0 to + 82 degr.C.
T530-ATW	Alu / PTFE + 4 to +100 degr.C.

Air-motor made from POM-C

- A** = Aluminium body
- X** = Santoprene diaphragms & valve balls
- NB** = NBR diaphragms & valve balls
- TW** = Teflon vulcanised diaphragms & teflon valve balls
- D** = Domed shaped diaphragms (extended lifetime!!)



A	435 mm	G	70 mm	M	240 mm
B	84 mm	H	162 mm	N	270 mm
C	535 mm	I	70 mm	Q	½" BSP fem.
D	669 mm	J	299 mm	O	153 mm
E	746 mm	K	254 mm	P	121 mm
F	323 mm	L	20 mm	DN	52 mm

Weight: 34 kg.

xylem
Let's Solve Water