

# FY 60 TF

Compliance with standard

ISO

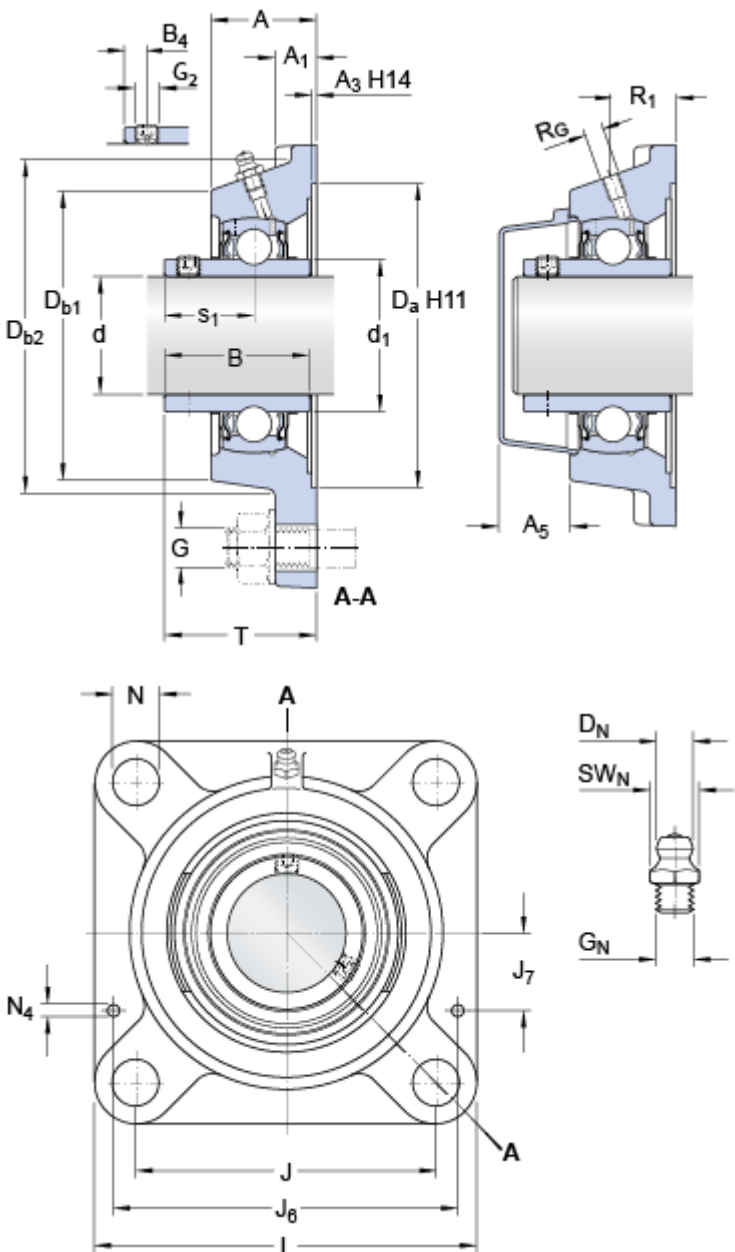
Housing material

Cast iron

Sealing solution

Standard seals with additional flingers

## Dimensions



d	60	mm
d <sub>1</sub>	≈ 75.64	mm
A	52	mm
A <sub>1</sub>	17	mm
A <sub>3</sub>	3.2	mm
A <sub>5</sub>	39	mm
B	65.1	mm
B <sub>4</sub>	10	mm
D <sub>a</sub>	161.9	mm
D <sub>b1</sub>	130	mm
D <sub>b2</sub>	143	mm
J	143	mm
L	175	mm
N	18	mm
s <sub>1</sub>	39.7	mm
T	73.7	mm

### Grease fitting

D <sub>N</sub>	6.5	mm
SW <sub>N</sub>	7	mm
G <sub>N</sub>	1/4-28 SAE-LT	

### Threaded hole

R <sub>G</sub>	1/4-28 UNF	
R <sub>1</sub>	34.5	mm

### Dowel pins

J <sub>6</sub>	161	mm
J <sub>7</sub>	49.5	mm
N <sub>4</sub>	4	mm

### Calculation data

Basic dynamic load rating	C	52.7	kN
Basic static load rating	C <sub>0</sub>	36	kN
Fatigue load limit	P <sub>u</sub>	1.53	kN
Limiting speed with shaft tolerance h6		3400	r/min

### Mass

Mass bearing unit		3.95	kg
-------------------	--	------	----

### Mounting information

Thread grub screw	G <sub>2</sub>	M10x1	
Hexagonal key size for grub screw	N	5	mm
Recommended tightening torque for grub screw		16.5	N·m
Recommended diameter for attachment bolts, mm	G	16	mm
Recommended diameter for attachment bolts, inch	G	0.625	in

### Included products

Housing		FY 512 M
Bearing		YAR 212-2F

### Associated products

End cover		ECY 212
-----------	--	---------