

Specification Status: Released

Maximum Electrical Rating

Voltage: 6.0V_{DC}
Short Circuit Current: 100A

Notes:

1. All terminations are tin plated.
2. Drawing not to scale

Marking:

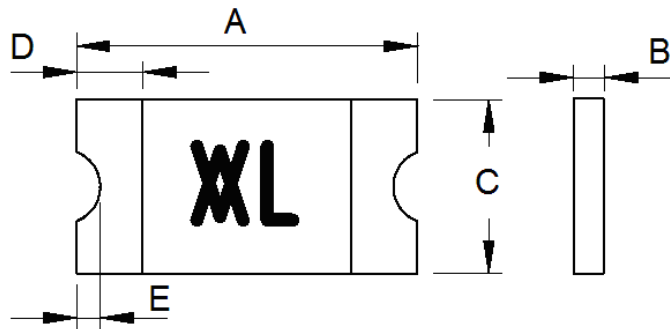
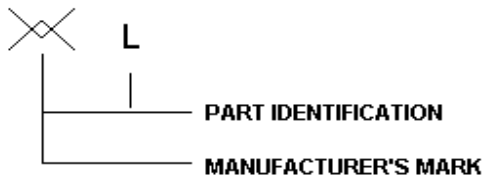


TABLE I. DIMENSIONS:

	A		B		C		D		E
	MIN	MAX	MIN	MAX	MIN	MAX	MIN	MAX	MIN
mm:	3.00	3.40	0.44	0.68	1.37	1.80	0.25	0.75	0.076
in:	(0.118)	(0.134)	(0.017)	(0.027)	(0.054)	(0.071)	(0.010)	(0.030)	(0.003)

TABL II. PERFORMANCE RATINGS:

CURRENT RATINGS**						TIME TO TRIP**	RESISTANCE VALUES		TRIPPED-STATE POWER DISSIPATION**
AMPERES AT 0°C		AMPERES AT 25°C		AMPERES AT 60°C		SECONDS AT 25°C, 8.0A	OHMS AT 25°C		WATTS AT 25°C, 6.0V
HOLD	TRIP	HOLD	TRIP	HOLD	TRIP	MAX	MIN	MAX*	MAX
0.92	1.87	0.75	1.50	0.58	1.14	0.1	0.09	0.30	0.8

*Maximum resistance is measured 1 hour after reflow.

** Values specified were determined using PCB's with 0.030"X1.5 ounce copper traces.

Agency Recognition: UL, CSA, TÜV
 Reference Document: PS300
 Precedence: This specification takes precedence over documents referenced herein.
 Effectivity: Reference documents shall be the issue in effect on the date of invitation for bid.
 CAUTION: Operation beyond the rated voltage or current may result in rupture, electrical arcing or flame.

Materials Information

ROHS Compliant



ELV Compliant



Pb-Free



Halogen Free*



* Halogen Free refers to: Br≤900ppm, Cl≤900ppm, Br+Cl≤1500ppm.