



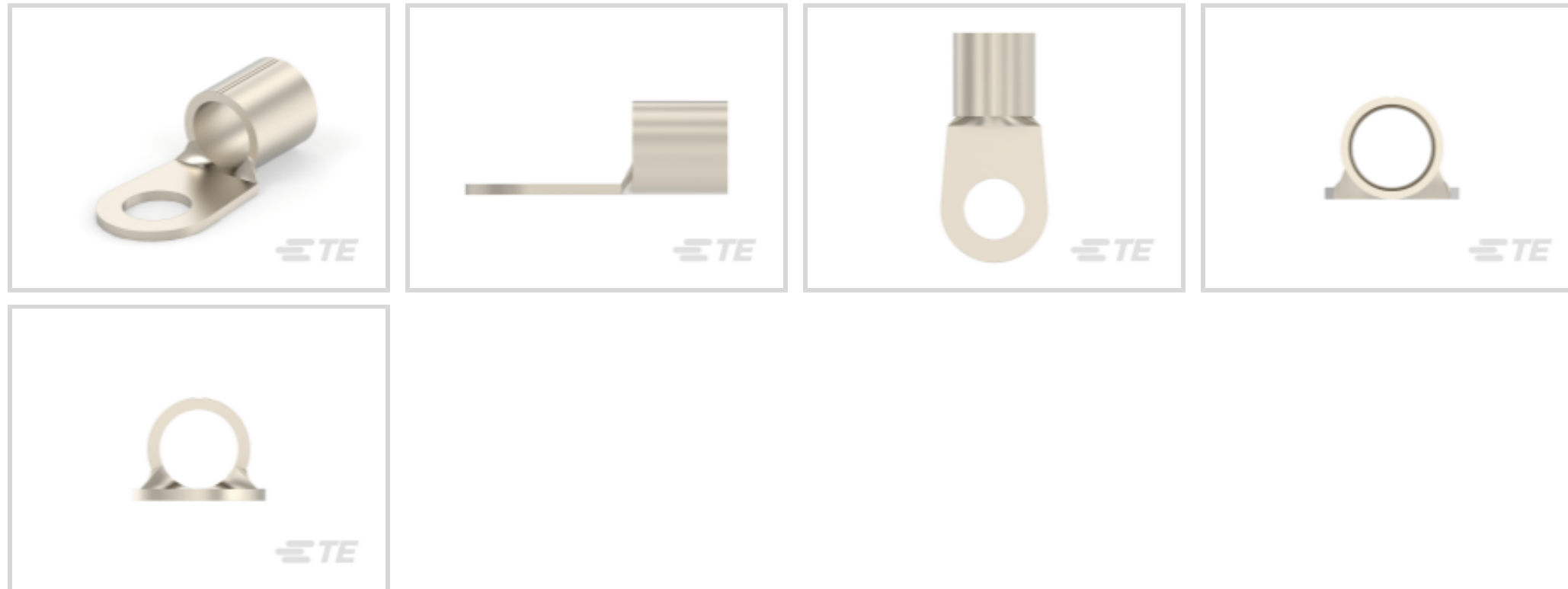
STRATO-THERM

TE Internal #: 321873-2

Closed Ring Tongue Terminal, 2/0 AWG, 1/2 Stud, 13.08 mm [.515 in] Stud Diameter, Closed Barrel, Straight, Nickel Plating, Uninsulated, STRATO-THERM

[View on TE.com >](#)

Terminals & Splices > Ring Terminals



Ring Terminal Product Type: **Closed Ring Tongue Terminal**

Wire Size: **119500 – 150500 CMA**

Stud Size: **1/2**

Features

Product Type Features

Ring Terminal Product Type	Closed Ring Tongue Terminal
Stud Size	1/2
Sealable	No
Wire Insulation Support Retention Type	Non-Insulation Support

Configuration Features

Number of Holes	1
-----------------	---

Contact Features

Contact Base Material	Copper
Barrel Type	Closed
Terminal Orientation	Straight
Terminal Plating Material	Nickel
Contact Underplating Material	None

Dimensions

Wire Size	119500 – 150500 CMA
Stud Diameter	13.08 mm [.515 in]



Tongue Thickness	2.03 mm[.08 in]
Product Length	47.93 mm[1.96 in]
Barrel Inside Diameter	12.8 mm[.504 in]

Usage Conditions

Insulation Option	Uninsulated
Operating Temperature Range	0 – 343 °C[0 – 649 °F]

Packaging Features

Packaging Quantity	50
Packaging Method	Loose Piece

Product Compliance

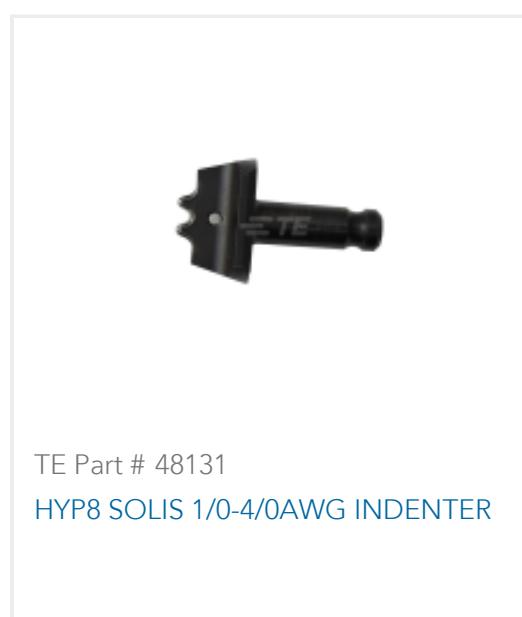
[For compliance documentation, visit the product page on TE.com>](#)

EU RoHS Directive 2011/65/EU	Compliant
EU ELV Directive 2000/53/EC	Compliant
China RoHS 2 Directive MIIT Order No 32, 2016	有害物质含量符合标准要求 No Restricted Substance(s) Above Threshold
EU REACH Regulation (EC) No. 1907/2006	Current ECHA Candidate List: JUNE 2025 (250) Candidate List Declared Against: JAN 2025 (247) Does not contain REACH SVHC
Halogen Content	Low Halogen - Br, Cl, F < 900 ppm per homogenous material. Also BFR/CFR/PVC Free
Solder Process Capability	Not applicable for solder process capability

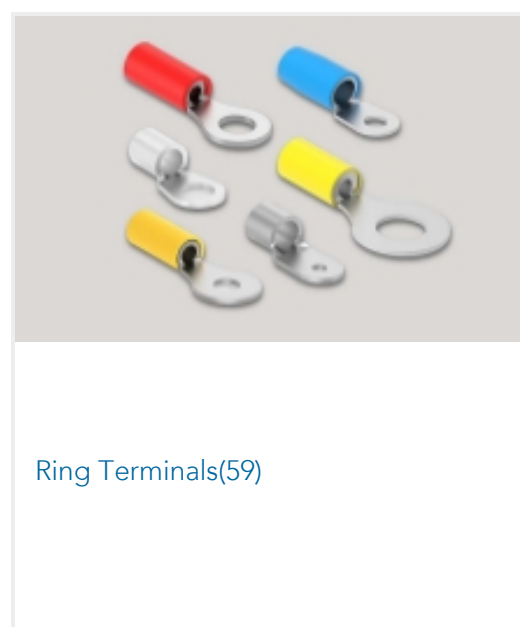
Product Compliance Disclaimer

This information is provided based on reasonable inquiry of our suppliers and represents our current actual knowledge based on the information they provided. This information is subject to change. The part numbers that TE has identified as EU RoHS compliant have a maximum concentration of 0.1% by weight in homogenous materials for lead, hexavalent chromium, mercury, PBB, PBDE, DBP, BBP, DEHP, DIBP, and 0.01% for cadmium, or qualify for an exemption to these limits as defined in the Annexes of Directive 2011/65/EU (RoHS2). Finished electrical and electronic equipment products will be CE marked as required by Directive 2011/65/EU. Components may not be CE marked. Additionally, the part numbers that TE has identified as EU ELV compliant have a maximum concentration of 0.1% by weight in homogenous materials for lead, hexavalent chromium, and mercury, and 0.01% for cadmium, or qualify for an exemption to these limits as defined in the Annexes of Directive 2000/53/EC (ELV). Regarding the REACH Regulation, the information TE provides on SVHC in articles for this part number is based on the latest European Chemicals Agency (ECHA) 'Guidance on requirements for substances in articles' posted at this URL: <https://echa.europa.eu/guidance-documents/guidance-on-reach>

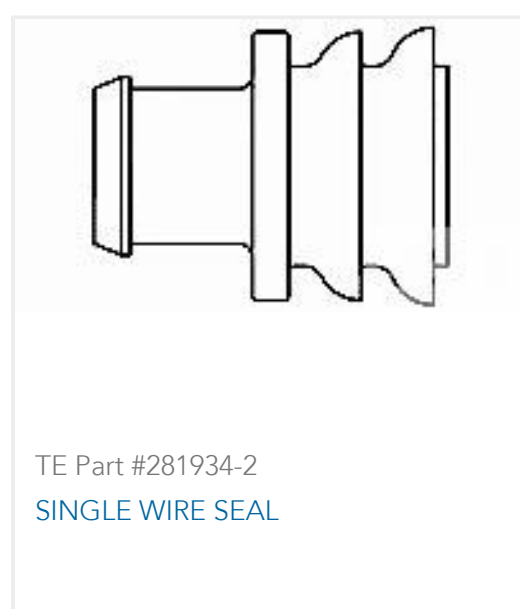
Compatible Parts



Also in the Series | STRATO-THERM



Customers Also Bought





Documents

Product Drawings

[STRATO-THERM, HR 2/0 1/2 NIPL](#)

English

CAD Files

Customer View Model

[ENG_CVM_CVM_321873-2_AJ.2d_dxf.zip](#)

English

3D PDF

3D

Customer View Model

[ENG_CVM_CVM_321873-2_AJ.3d_igs.zip](#)

English

Customer View Model

[ENG_CVM_CVM_321873-2_AJ.3d_stp.zip](#)

English

By downloading the CAD file I accept and agree to the [Terms and Conditions](#) of use.

Product Specifications

[Product Specification](#)

English