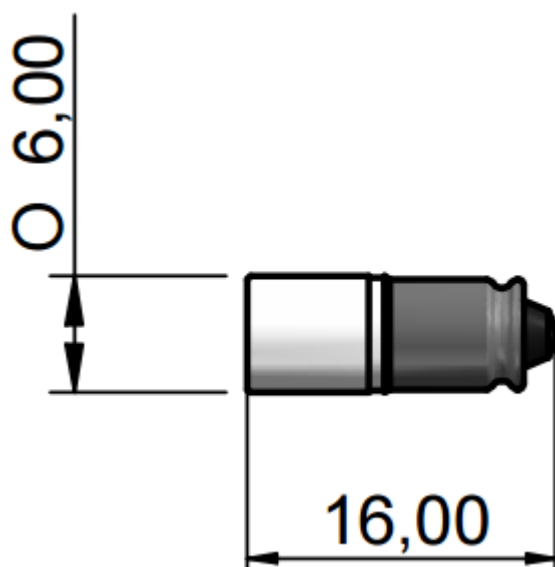


Datasheet

White Midget Groove LED Indicator Lamp, Single Chip, 5 mm Lamp, 6mm dia., 12 V ac/V dc

RS Stock number [225-997](#)



Specifications

LED/Multiled	LED	Optimum voltage (V)	12Vac/dc	Intensity	1500mcd
Mounting Size	T1 ¼ Midget Groove	Rectifier			
Mounting Finish		AC current	6mA		
Protection		DC current	15mA		
Mount Holder	T1 ¼ Midget Groove	Voltage Tolerance(%)	10%		
Chip Qty	1	Optimum temperature (°C)	-30°C...+60°C		
Indicator colour	White	Storage temperature (°C)	-30°C...+60°C		
Wavelength (nm)		Contact Tab x 2	Midget Groove Base Cap		



Dimension in mm (typical), not to scale.
We reserve the right to make changes without further notice to this product to improve reliability, function or design.