

8-328730-1 ✓ ACTIVE

TE Internal #: 8-328730-1

Closed End Splice, 22 – 10 AWG, .3 – 6 mm² Wire, 3.248 – 13.1

kcmil, 3248 – 13100 CMA, Fully Insulated, Copper, 18.29 mm [.72 in]

Length, Loose Piece

[View on TE.com >](#)



Terminals & Splices > Splices



Splice Type: **Closed End Splice**

Wire Size: **.3 – 6 mm²**

Sealable: **No**

Compatible Insulation Diameter Range: **9.53 mm [.375 in]**

Features

Product Type Features

Splice Accessory Type	Splice
Splice Type	Closed End Splice
Sealable	No
Compatible With Discrete Wire Type	Solid, Stranded
Wire Insulation Support Retention Type	Insulation Support

Configuration Features

Compatible With Wire & Cable Type	Discrete Wire
-----------------------------------	---------------

Electrical Characteristics

Operating Voltage	600 V
-------------------	-------

Body Features

Insulation Material	Nylon
---------------------	-------

Contact Features

Terminal Plating Material	Tin
Contact Base Material	Copper
Barrel Type	Closed



Mechanical Attachment

Wire Insulation Support	With
-------------------------	------

Dimensions

Outside Diameter	11.58 mm[.456 in]
Wire Size	3.248 – 13.1 kcmil
Compatible Insulation Diameter Range	9.53 mm[.375 in]
Barrel Inside Diameter	3.68 mm[.145 in]
Terminal Material Thickness	.55 mm[.022 in]
Product Length	18.29 mm[.72 in]

Usage Conditions

Insulation Option	Fully Insulated
-------------------	-----------------

Operation/Application

Compatible With Wire Base Material	Copper
------------------------------------	--------

Identification Marking

Splice Marking	EC
----------------	----

Industry Standards

Government Qualified Splice	No
-----------------------------	----

Packaging Features

Packaging Quantity	100
Packaging Method	Loose Piece

Product Compliance

[For compliance documentation, visit the product page on TE.com>](#)

EU RoHS Directive 2011/65/EU	Compliant
EU ELV Directive 2000/53/EC	Compliant
China RoHS 2 Directive MIIT Order No 32, 2016	有害物质含量符合标准要求 No Restricted Substance(s) Above Threshold
EU REACH Regulation (EC) No. 1907/2006	Current ECHA Candidate List: JUNE 2025 (250) Candidate List Declared Against: JUNE 2025 (250) Does not contain REACH SVHC
Halogen Content	Low Halogen - Br, Cl, F < 900 ppm per homogenous material. Also BFR/CFR/PVC

Free

Solder Process Capability

Not applicable for solder process capability

Product Compliance Disclaimer

This information is provided based on reasonable inquiry of our suppliers and represents our current actual knowledge based on the information they provided. This information is subject to change. The part numbers that TE has identified as EU RoHS compliant have a maximum concentration of 0.1% by weight in homogenous materials for lead, hexavalent chromium, mercury, PBB, PBDE, DBP, BBP, DEHP, DIBP, and 0.01% for cadmium, or qualify for an exemption to these limits as defined in the Annexes of Directive 2011/65/EU (RoHS2). Finished electrical and electronic equipment products will be CE marked as required by Directive 2011/65/EU. Components may not be CE marked. Additionally, the part numbers that TE has identified as EU ELV compliant have a maximum concentration of 0.1% by weight in homogenous materials for lead, hexavalent chromium, and mercury, and 0.01% for cadmium, or qualify for an exemption to these limits as defined in the Annexes of Directive 2000/53/EC (ELV). Regarding the REACH Regulation, the information TE provides on SVHC in articles for this part number is based on the latest European Chemicals Agency (ECHA) 'Guidance on requirements for substances in articles' posted at this URL: <https://echa.europa.eu/guidance-documents/guidance-on-reach>


Compatible Parts



TE Part # 2217484-2
KIT, BTLI, HEAVY HEAD



TE Part # 2217484-1
KIT, BTLI, HEAVY HEAD



TE Part # 46866
SAHT ECECV PVF2 CLSD END SPLC
22-10 ASSY

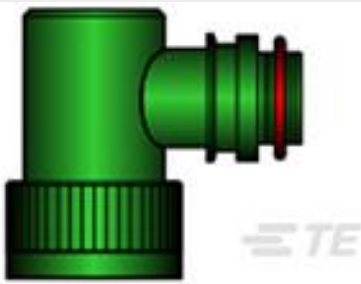


TE Part # 217212-1
PRO-CR ASSY, CES



TE Part # 217212-2
PRO-CR DIE, CES

Customers Also Bought



TE Part #851659-000
TXR40AB90-1006AI



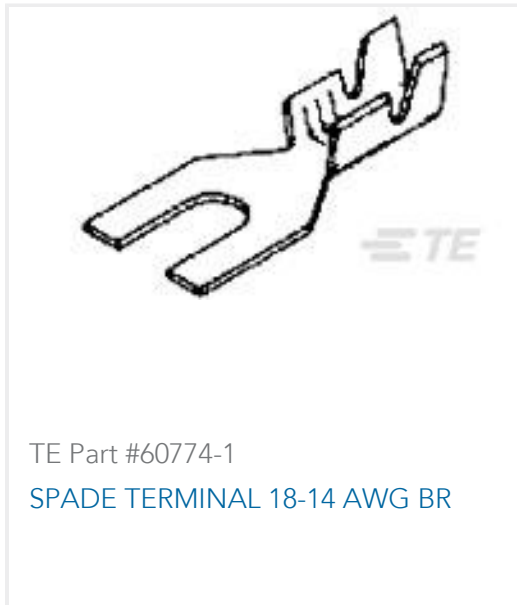
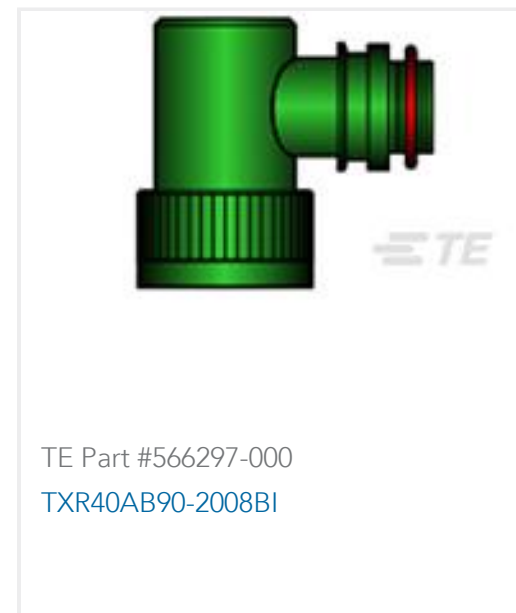
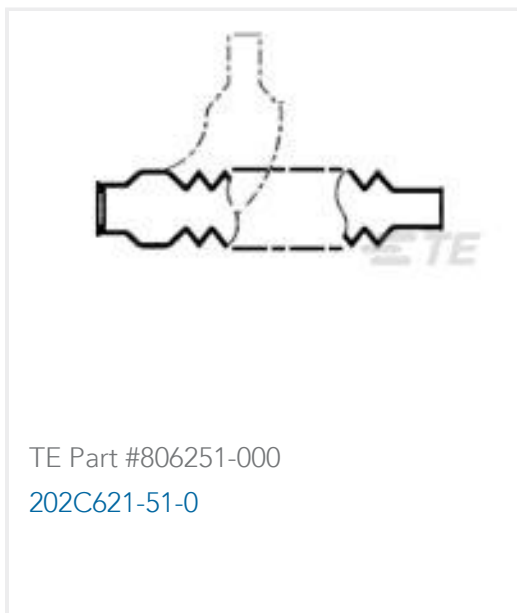
TE Part #TRAB9023P
OMNI,SB,Ph,902-928MHz BLK,3,PMT



TE Part #5054284002
RNF-100-1-3-SP



TE Part #5054214002
RNF-100-1/2-3-SP



Documents

Product Drawings

[SPLICE,N CE 22-10](#)

English

CAD Files

[3D PDF](#)

English

Customer View Model

[ENG_CVM_8-328730-1_AD.2d_dxf.zip](#)

English

Customer View Model

[ENG_CVM_8-328730-1_AD.3d_igs.zip](#)

English

Customer View Model

[ENG_CVM_8-328730-1_AD.3d_stp.zip](#)

English

[3D PDF](#)

3D

Customer View Model

[ENG_CVM_CVM_8-328730-1_AG.2d_dxf.zip](#)

English

Customer View Model

[ENG_CVM_CVM_8-328730-1_AG.3d_igs.zip](#)

English

Customer View Model

[ENG_CVM_CVM_8-328730-1_AG.3d_stp.zip](#)

English



By downloading the CAD file I accept and agree to the [Terms and Conditions](#) of use.

Product Specifications

Application Specification

English

Instruction Sheets

Instruction Sheet (U.S.)

English

Instruction Sheet (U.S.)

English

Agency Approvals

Agency Approval Document

English