

Monitor Calibration Unit Installation, Operation and Maintenance



Made in the
United States of America



Figure 1. EMIT 50512 Monitor Calibration Unit

Description

The EMIT 50512 Monitor Calibration Unit is designed to simplify the process of calibrating Workstation Continuous Monitors. The unit allows the user to quickly and easily verify whether a tester is operating within specifications. The Monitor Calibration Unit is a passive device and requires no power source.

“A Compliance Verification Plan shall be established to ensure the Organization’s fulfillment of the technical requirements of the ESD Control Program Plan (ANSI/ESD S20.20 section 7.3). The product qualification for the Continuous Monitors per ANSI/ESD S20.20 Table 3 is “User defined” test method and required limits, and compliance verification is per ESD TR53 with the required limit being “Manufacturer defined.” Per ESD TR53 Compliance Verification “Compliance verification of the constant monitor device should follow the manufacturer’s instructions.”

Packaging

- 1 Monitor Calibration Unit
- 1 Alligator Clip
- 1 Stacking Snap Adapter
- 1 Banana Plug / Wire Adapter
- 1 Certificate of Calibration

Calibration Test Procedures

The Monitor Calibration Unit was specifically designed for use in calibration of Desco brand equipment. The following step by step procedures will cover calibration for specific test units. The procedures will not cover adjustment of the test equipment. Contact our Customer Service Department for detailed information regarding adjustment of specific continuous monitors.

Calibrating the Full Time Continuous Monitor

The Full Time Continuous Monitor is available as the following item number:

Brand	Item
EMIT	50543
EMIT	50544

TESTING THE OPERATOR CIRCUIT

1. Connect the Calibration Unit’s GROUND test lead to a ground point.
2. Insert the Calibration Unit’s OPERATOR test lead into the Full Time Monitor’s OPERATOR jack.

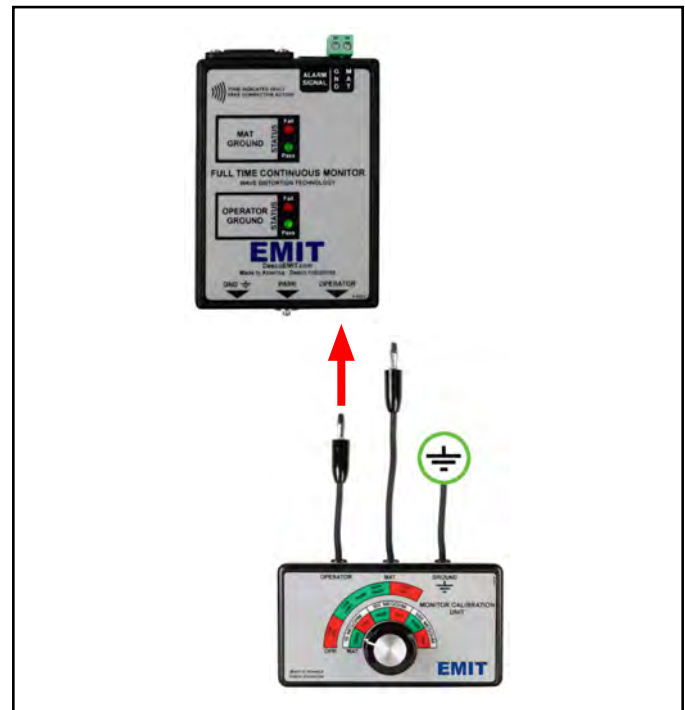


Figure 2. Connecting the OPERATOR test lead from the Monitor Calibration Unit to the Full Time Continuous Monitor

3. Start the Calibration Unit’s selector knob at the full counter-clockwise position. When testing the operator circuit, test only the first four limits on the Calibration Unit. Rotate the selector knob to the LOW FAIL position. The red OPERATOR GROUND LED on the monitor should illuminate, and the alarm should sound.
4. Rotate the selector knob clockwise to the LOW LIMIT position of the green pass sector. The monitor’s green OPERATOR GROUND LED should illuminate.

5. Rotate the selector knob clockwise to the HIGH PASS position at the end of the green pass sector. The monitor's green OPERATOR GROUND LED should remain illuminated.
6. Rotate the selector knob clockwise to the HIGH FAIL position. The monitor's red OPERATOR GROUND LED should illuminate, and the alarm should sound.
7. Disconnect the Monitor Calibration Unit from the monitor.

TESTING THE MAT CIRCUIT

1. Connect the Calibration Unit's GROUND test lead to a ground point.
2. Insert a wrist cord into the monitor's operator jack and snap it to the parking station. This will enable the audible alarm circuit needed for calibration verification.
3. Connect the included banana plug / wire adapter to the Calibration Unit's MAT test lead. Insert the adapter's wire terminal into monitor's MAT terminal.

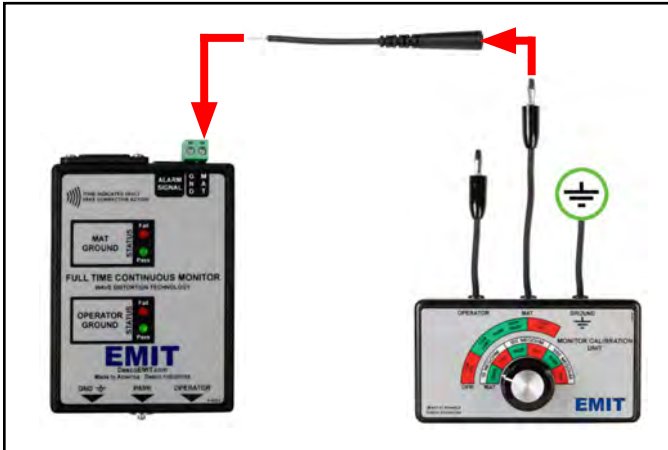


Figure 3. Connecting the MAT test lead from the Monitor Calibration Unit to the Full Time Continuous Monitor

4. Rotate the Calibration Unit's selector knob to the MAT FAIL 10M position. The monitor's red MAT GROUND LED should illuminate, and the alarm should sound.
5. Rotate the selector knob counter-clockwise to the MAT PASS 10M position. The monitor's green MAT GROUND LED should illuminate.

Calibrating the Dual Operator Continuous Monitor with Satellites

The Dual Operator Continuous Monitor with Satellites is available as the following item numbers:

Brand	Item
Charleswater	99093
Charleswater	99095

TESTING THE OPERATOR CIRCUITS

1. Connect the Calibration Unit's GROUND test lead to a ground point.
2. Insert the Calibration Unit's OPERATOR test lead into the satellite's OPERATOR jack.

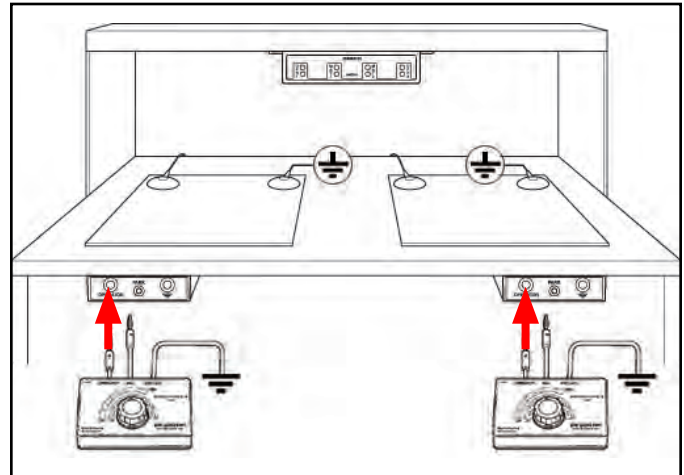


Figure 4. Connecting the OPERATOR test lead from the Monitor Calibration Unit to the satellite remote

3. Start the Calibration Unit's selector knob at the full counter-clockwise position. When testing the operator circuit, test only the first four limits on the Calibration Unit. Rotate the selector knob to the LOW FAIL position. The corresponding red operator LED on the monitor should illuminate, and the alarm should sound.
4. Rotate the selector knob clockwise to the LOW LIMIT position of the green pass sector. The monitor's corresponding green operator LED should illuminate.
5. Rotate the selector knob clockwise to the HIGH PASS position at the end of the green pass sector. The monitor's corresponding green operator LED should remain illuminated.
6. Rotate the selector knob clockwise to the HIGH FAIL position. The monitor's corresponding red operator LED should illuminate, and the alarm should sound.
7. Disconnect the Monitor Calibration Unit from the satellite.
8. Perform the same procedure for the other satellite.

TESTING THE MAT CIRCUITS

1. Connect the Calibration Unit's GROUND test lead to a ground point.
2. Insert a wrist cord into the satellite's operator jack and snap it to the parking station. This will enable the audible alarm circuit needed for calibration verification.
3. Connect the included stacking snap to the Calibration Unit's MAT test lead. Disconnect the satellite from its mat connection and re-install it to the Calibration Unit's stacking snap.

NOTE: The stacking snap must be isolated from the grounded mat.

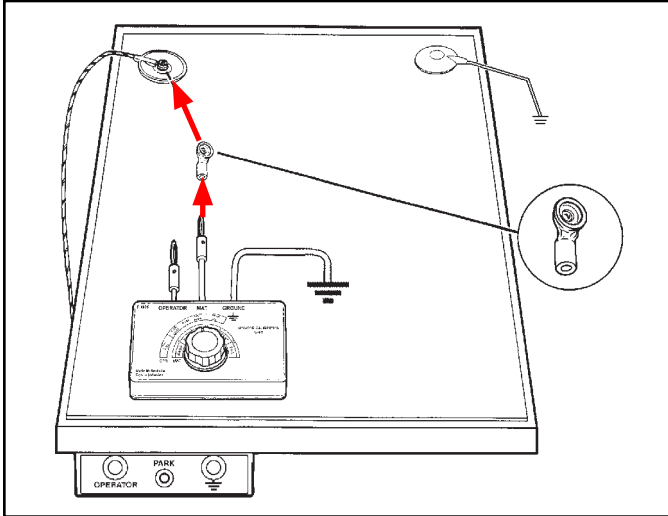


Figure 5. Connecting the MAT test lead from the Monitor Calibration Unit to the satellite

4. Rotate the Calibration Unit's selector knob to the MAT FAIL 10M position. The monitor's corresponding red mat LED should illuminate, and the alarm should sound.
5. Rotate the selector knob counter-clockwise to the MAT PASS 10M position. The monitor's corresponding green mat LED should illuminate.
6. Perform the same procedure for the other satellite.

Calibrating the Jewel® Workstation Continuous Mini Monitor

The Jewel® Workstation Continuous Mini Monitor is available as the following item number:

Brand	Item
Charleswater	99135

TESTING THE OPERATOR CIRCUIT

1. Connect the Calibration Unit's GROUND test lead to a ground point.
2. Insert the Calibration Unit's OPERATOR test lead into the Jewel® Mini Monitor's OPERATOR jack.

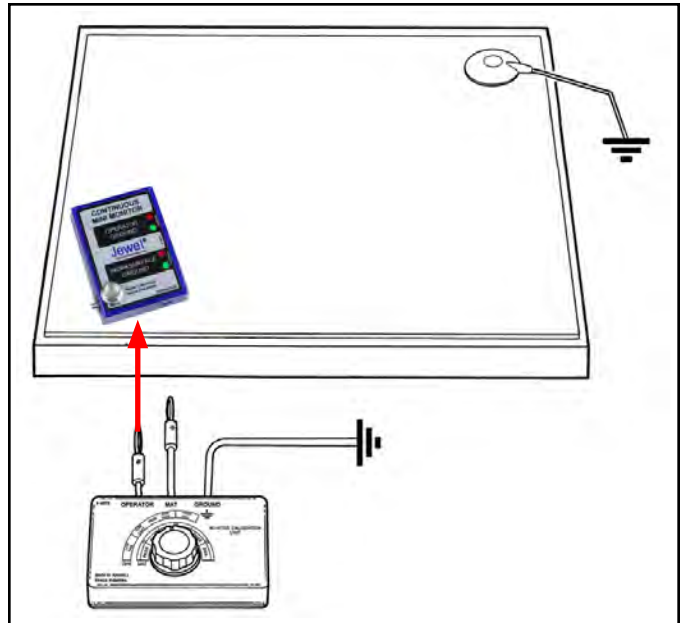


Figure 6. Connecting the OPERATOR test lead from the Monitor Calibration Unit to the Jewel® Workstation Continuous Mini Monitor

3. Start the Calibration Unit's selector knob at the full counter-clockwise position. When testing the operator circuit, test only the first four limits on the Calibration Unit. Rotate the selector knob to the LOW FAIL position. The red OPERATOR GROUND LED on the monitor should illuminate, and the alarm should sound.
4. Rotate the selector knob clockwise to the LOW LIMIT position of the green pass sector. The monitor's green OPERATOR GROUND LED should illuminate.
5. Rotate the selector knob clockwise to the HIGH PASS position at the end of the green pass sector. The monitor's green OPERATOR GROUND LED should remain illuminated.
6. Rotate the selector knob clockwise to the HIGH FAIL position. The monitor's red OPERATOR GROUND LED should illuminate, and the alarm should sound.
7. Disconnect the Monitor Calibration Unit from the monitor.

TESTING THE MAT CIRCUIT

1. Connect the Calibration Unit's GROUND test lead to a ground point.
2. Insert a wrist cord into the monitor's operator jack and snap it to the parking station. This will enable the audible alarm circuit needed for calibration verification.
3. Connect the included stacking snap to the Calibration Unit's MAT test lead. Disconnect the monitor from its mat connection and re-install the snap located underneath the LEDs to the Calibration Unit's stacking snap.

NOTE: The stacking snap must be isolated from the grounded mat.

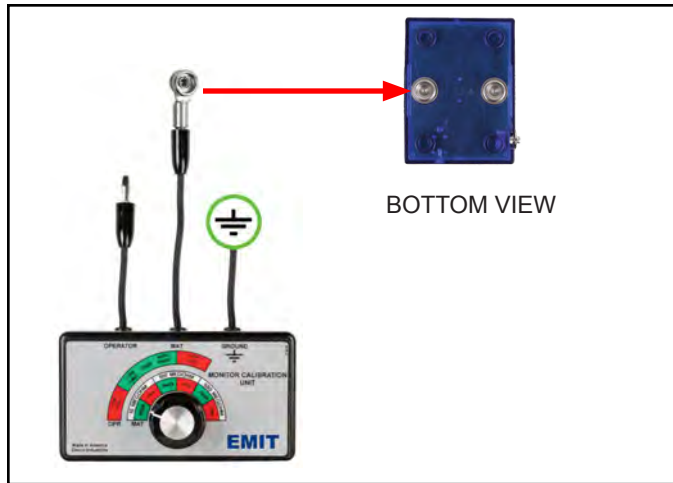


Figure 7. Connecting the MAT test lead from the Monitor Calibration Unit to the Jewel® Workstation Continuous Mini Monitor

4. Rotate the Calibration Unit's selector knob to the MAT FAIL 500M position. The monitor's red WORKSURFACE GROUND LED should illuminate, and the alarm should sound.
5. Rotate the selector knob counter-clockwise to the MAT PASS 500M position. The monitor's green WORKSURFACE LED should illuminate.

Calibrating the Multi-Mount Continuous Monitor

The Multi-Mount Continuous Monitor is available as the following item number:

Brand	Item
Charleswater	99129

TESTING THE OPERATOR CIRCUIT

1. Connect the Calibration Unit's GROUND test lead to a ground point.
2. Insert the Calibration Unit's OPERATOR test lead into the Multi-Mount Monitor's operator jack.

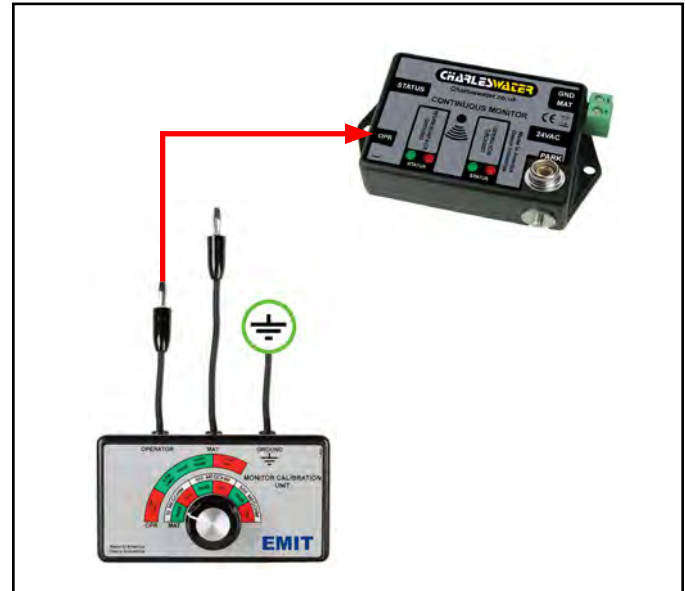


Figure 8. Connecting the OPERATOR test lead from the Monitor Calibration Unit to the Multi-Mount Continuous Monitor

3. Start the Calibration Unit's selector knob at the full counter-clockwise position. When testing the operator circuit, test only the first four limits on the Calibration Unit. Rotate the selector knob to the LOW FAIL position. The red OPERATOR GROUND LED on the monitor should illuminate, and the alarm should sound.
4. Rotate the selector knob clockwise to the LOW LIMIT position of the green pass sector. The monitor's green OPERATOR GROUND LED should illuminate.
5. Rotate the selector knob clockwise to the HIGH PASS position at the end of the green pass sector. The monitor's green OPERATOR GROUND LED should remain illuminated.
6. Rotate the selector knob clockwise to the HIGH FAIL position. The monitor's red OPERATOR GROUND LED should illuminate, and the alarm should sound.
7. Disconnect the Monitor Calibration Unit from the monitor.

TESTING THE MAT CIRCUIT

1. Connect the Calibration Unit's GROUND test lead to a ground point.
2. Insert a wrist cord into the monitor's operator jack and snap it to the parking station. This will enable the audible alarm circuit needed for calibration verification.
3. Connect the included banana plug / wire adapter to the Calibration Unit's MAT test lead. Insert the adapter's wire terminal into monitor's MAT terminal.

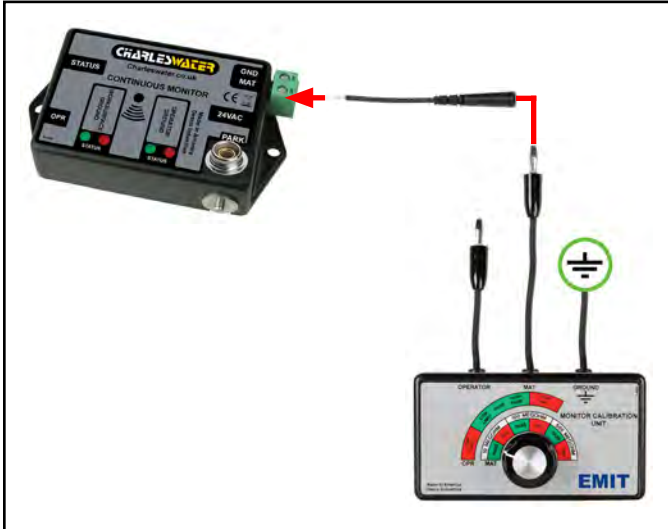


Figure 9. Connecting the MAT test lead from the Monitor Calibration Unit to the Multi-Mount Continuous Monitor

4. Rotate the Calibration Unit's selector knob to the MAT FAIL 10M position. The monitor's red MAT GROUND LED should illuminate, and the alarm should sound.
5. Rotate the selector knob counter-clockwise to the MAT PASS 10M position. The monitor's green MAT GROUND LED should illuminate.

Calibration

Required Test Equipment: RLC Bridge

Settings:

For 50 Hz, Frequency = 1,000 Hz (20 x 50), 20th Harmonic
 For 60 Hz, Frequency = 1,020 Hz (17 x 60), 17th Harmonic
 Set function switch to read "equivalent parallel circuit"

Additional Required Test Equipment for MAT Resistance Measurement:

Megger: Set V compliance = 50V or less
 or
 DMM: 50V power supply

Record Data for:

	Low Pass		Low Fail		High Pass		High Fail	
Serial #	Cp	Dis	Cp	Dis	Cp	Dis	Cp	Dis

Serial #	Mat Pass	Mat Fail	Megohms @ 50V

Compare with the following specs (tolerance = ± 10%):

	Equiv. Parallel C	Dissipation Factor
Low Fail	138.9 pF	0.158
Low Pass	118.6 pF	0.367
Hi Pass	49.0 pF	0.445
Hi Fail	44.7 pF	0.192

Mat (tolerance = ± 4%):

	Pass	Fail	V Measure ~ 50
10 Meg	8 Megohms	12 Megohms	
100 Meg	80 Megohms	120 Megohms	
500 Meg	400 Megohms	600 Megohms	

Specifications

Weight: 6.8 oz
 192 g

Dimensions: 4.5" x 2.5" x 1.2"
 11.4 cm x 6.4 cm x 3.0 cm

Limited Warranty, Warranty Exclusions, Limit of Liability and RMA Request Instructions

See EMIT's Warranty - <http://emit.descoindustries.com/Warranty.aspx>