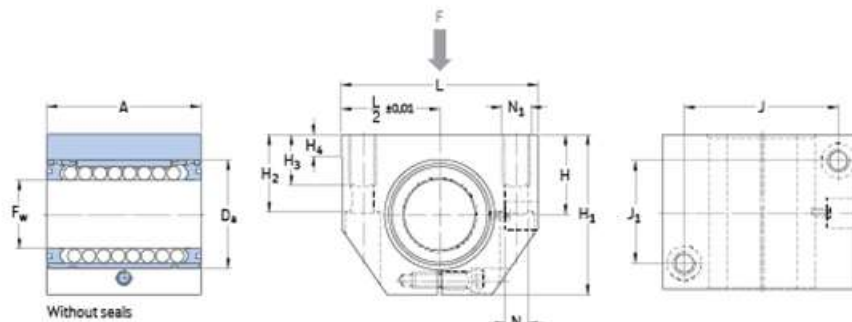
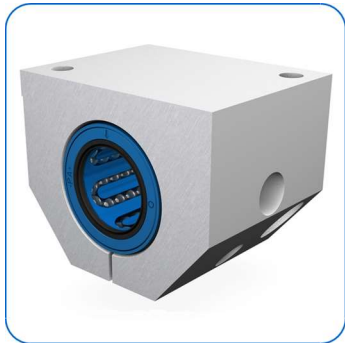


Produktdatenblatt

LUNE 12 D-2LS

Geschlossene Linearlagereinheit, winkeleinstellbar, radial einstellbar, beidseitig abgedichtet, nachschmierbar



Ersatz für LUNE 12-2LS

Fw:	12
A [mm]:	32
D = Da [mm]:	22
H [mm]:	18
H1 [mm]:	35
H2 [mm]:	16.5
H3 [mm]:	11
H4 [mm]:	6
J [mm]:	32

Datum: 22/05/2020

The contents of this report are the copyright of the publisher and may not be reproduced (even extracts) unless permission is granted. Every care has been taken to ensure the accuracy of the information contained in this report but no liability can be accepted for any loss or damage whether direct, indirect or consequential arising out of the use of the information contained herein.

Produktdatenblatt

LUNE 12 D-2LS

Geschlossene Linearlagereinheit, winkeleinstellbar, radial einstellbar, beidseitig abgedichtet, nachschmierbar

J1 [mm]:	23
L [mm]:	43
N [mm]:	4.3
N1:	M5
Cmin[N]:	800
Cmax[N]:	1220
C0min[N]:	570
C0max[N]:	930
vmax[m/s]:	5
amax[m/s ²]:	100
Gewicht [kg]:	0.097

Datum: 22/05/2020

The contents of this report are the copyright of the publisher and may not be reproduced (even extracts) unless permission is granted. Every care has been taken to ensure the accuracy of the information contained in this report but no liability can be accepted for any loss or damage whether direct, indirect or consequential arising out of the use of the information contained herein.