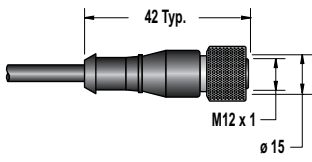
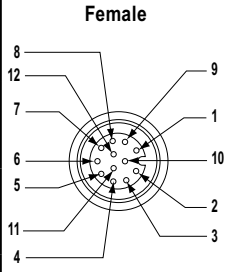


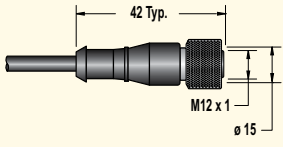
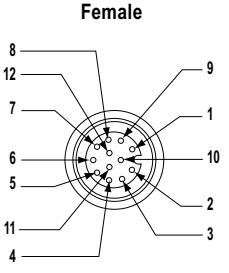
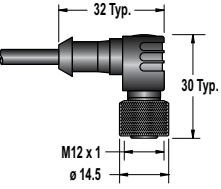
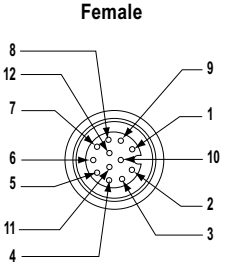
12-Pin M12/Euro-Style Cordsets with Open Shield

Cable: PVC jacket, PUR (polyurethane) connector body, nickel-plated brass coupling nut
Conductors: 20 and 24 AWG, gold-plated contacts
Voltage Rating: 250V ac/300V dc
Temperature: -40° to +105° C **Environmental Rating:** IP67

Style	Length	Model	Cable Diameter	Dimensions (mm)	Pinout	Used With
Straight	1.83 m	MQDC2S-1206	7.50 mm		<p>Female</p>  <p>1 = White 7 = Blue 2 = Brown 8 = Red 3 = Green 9 = Orange 4 = Yellow 10 = Lt. Blue 5 = Gray 11 = Black 6 = Pink 12 = Violet</p>	<ul style="list-style-type: none"> • IP68 Sealed P4 • iVu BCR—Integrated Touch Screen models • iVu Plus <p>(For CE compliance)</p>
	4.57 m	MQDC2S-1215				
	9.14 m	MQDC2S-1230				
	15.2 m	MQDC2S-1250				
	22.9 m	MQDC2S-1275				

12-Pin M12/Euro-Style Cordsets

Cable: PVC jacket, PUR (polyurethane) connector body, nickel-plated brass coupling nut
Conductors: 24, 20 AWG, gold-plated contacts
Voltage Rating: 300V ac/dc, 2.0, 7.0 A
Temperature: -40° to +105° C **Environmental Rating:** IP67

Style	Length	Model	Cable Diameter	Dimensions (mm)	Pinout	Used With
Straight	1.83 m	iVUC-1206	7.50 mm		<p>Female</p>  <p>1 = White 7 = Blue 2 = Brown 8 = Red 3 = Green 9 = Orange 4 = Yellow 10 = Lt. Blue 5 = Gray 11 = Black 6 = Pink 12 = Violet</p>	<ul style="list-style-type: none"> • iVu TG—BCR Remote Touch Screen models • iVu BCR—Integrated Touch Screen models • iVu Plus
	4.57 m	iVUC-1215				
	9.14 m	iVUC-1230				
	15.2 m	iVUC-1250				
	22.9 m	iVUC-1275				
Right-Angle	1.83 m	iVUC-1206RA	7.50 mm		<p>Female</p>  <p>1 = White 7 = Blue 2 = Brown 8 = Red 3 = Green 9 = Orange 4 = Yellow 10 = Lt. Blue 5 = Gray 11 = Black 6 = Pink 12 = Violet</p>	<ul style="list-style-type: none"> • iVu TG—BCR Remote Touch Screen models • iVu BCR—Integrated Touch Screen models • iVu Plus
	4.57 m	iVUC-1215RA				
	9.14 m	iVUC-1230RA				
	15.2 m	iVUC-1250RA				
	22.9 m	iVUC-1275RA				

12-Pin Threaded M12/Euro-Style QD to DB15 Cordsets

Style	Length	Model	Cable Diameter	Dimensions (mm)	Pinout	Used With
Straight (High Flex)/DB15	1.83 m	PPC06SHF	7.60 mm		<p>Female</p> <p>1 = Blue 7 = Not Used 2 = Violet 8 = Pink 3 = Green 9 = Gray 4 = Red 10 = Brown 5 = White 11 = Yellow 6 = Black 12 = Drain</p> <p>Male</p>	<ul style="list-style-type: none"> • Pro • Mini Pro • Sealed Pro
	3.96 m	PPC13SHF				
	7.01 m	PPC23SHF				
	9.75 m	PPC32SHF				
Right-Angle (High Flex)/DB15	1.83 m	PPC06SRAHF	7.60 mm		<p>Female</p> <p>1 = Blue 7 = Not Used 2 = Violet 8 = Pink 3 = Green 9 = Gray 4 = Red 10 = Brown 5 = White 11 = Yellow 6 = Black 12 = Drain</p> <p>Male</p>	<ul style="list-style-type: none"> • Pro • Mini Pro • Sealed Pro
	3.96 m	PPC13SRAHF				
	7.01 m	PPC23SRAHF				
	9.75 m	PPC32SRAHF				

12-Pin M16 Cordsets

Cable: PVC jacket, nickel-plated brass coupling nut
Conductors: 22 AWG, gold-plated contacts
Voltage/Current Rating: 60V ac/dc, 4.0 A
Temperature: 40° to +80° C **Environmental Rating:** IP67

Style	Length	Model	Cable Diameter	Dimensions (mm)	Pinout	Used With
Straight	3.05 m	MQDC-1210ST	7.60 mm		<p>Female</p> <p>1 = White 7 = Red 2 = Brown 8 = Black 3 = Green 9 = Violet 4 = Yellow 10 = Gy/Pk 5 = Gray 11 = Rd/Bu 6 = Pink 12 = Blue</p>	<ul style="list-style-type: none"> • LT7
	9.14 m	MQDC-1230ST				
	24.4 m	MQDC-1280ST				

12-Pin QD Cordsets

Style	Length	Model	Cable Diameter	Dimensions (mm)	Pinout	Used With
Straight	1.83 m	P4C06	7.70 mm		<p>Female</p> <p>1 = Yellow 7 = White 2 = Gray 8 = Lt. Blue 3 = Orange 9 = Violet 4 = Pink 10 = Green 5 = Black 11 = Blue 6 = Red 12 = Brown</p> <p>Shield = Bare Metal</p>	<ul style="list-style-type: none"> • P4 • PPSIM with terminal strip to P4
	7.01 m	P4C23				
	9.75 m	P4C32				
	15.2 m	P4C50				
	22.9 m	P4C75				
	34.0 m	P4C110				

12-Pin QD to DB15 Cordsets

Style	Length	Model	Cable Diameter	Dimensions (mm)	Pinout	Used With	
Straight/ DB15	2.00 m	P4C06SIM	6.9 mm			Female Male 	• P4 to PPSIM
	7.00 m	P4C23SIM					
	10.0 m	P4C32SIM					

3-Pin Micro-Style Cordsets

Cable: PVC jacket, PUR (polyurethane) connector body, nickel-plated brass coupling nut
Conductors: 22 AWG, gold-plated contacts
Voltage/Current Rating: 250V ac/dc, 4.0 A
Temperature: -40 to +80° C **Environmental Rating:** IP67

Style	Length	Model	Cable Diameter	Dimensions (mm)	Pinout	Used With
Straight	1.83 m	MQDC-306	5.20 mm		Female 1 = Green 2 = Red/Black 3 = Red/White	• MINI-BEAM ac SM2A312 sensors
	4.57 m	MQDC-315				
	9.14 m	MQDC-330				
Right-Angle	1.83 m	MQDC-306RA	5.20 mm		Female 1 = Green 2 = Red/Black 3 = Red/White	• MINI-BEAM ac SM2A312 sensors
	4.57 m	MQDC-315RA				
	9.14 m	MQDC-330RA				

4-Pin Micro-Style Cordsets

Cable: PVC jacket, PUR (polyurethane) connector body, nickel-plated brass coupling nut
Conductors: 22 AWG, gold-plated contacts
Voltage/Current Rating: 250V ac/dc, 4.0 A
Temperature: -40° to +105° C **Environmental Rating:** IP67

Style	Length	Model	Cable Diameter	Dimensions (mm)	Pinout	Used With
Straight	1.83 m	MQAC-406	5.70 mm		Female 1 = Red/Black 2 = Red/White 3 = Red 4 = Green	• QS18 ac/dc sensors • Q45 ac series (suffix Q1) • S18, M18, T18, Q25, S30, T30 & Q40 ac sensors (suffix Q1) • Q60
	4.57 m	MQAC-415				
	9.14 m	MQAC-430				
Right-Angle	1.83 m	MQAC-406RA	5.70 mm		Female 1 = Red/Black 2 = Red/White 3 = Red 4 = Green	• QS18 ac/dc sensors • Q45 ac series (suffix Q1) • S18, M18, T18, Q25, S30, T30 & Q40 ac sensors (suffix Q1) • Q60
	5.00 m	MQAC-415RA				
	9.14 m	MQAC-430RA				