

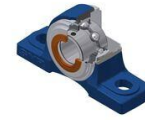


Brand of NTN Group

## Technical data

### UCP210CO

Bearing units

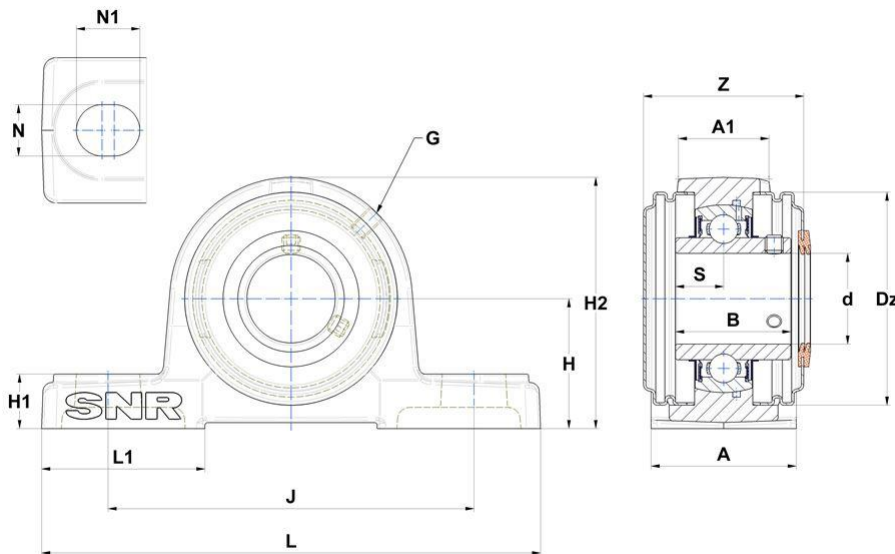


Grey cast housing, radial insert ball bearing with socket set screws, seal with slinger. In the figure, bearing units are presented with one open and one closed cover. The product you have chosen is equipped with two open covers.

## KIT CONTENT

UC210G2, SCO210-50, P210N

## VISUAL (S)



## PRODUCT DEFINITION

<b>Brand</b>	SNR
<b>A - Housing width</b>	60 mm
<b>A1 - Housing top width</b>	39 mm
<b>B - Width of Inner Ring</b>	51,6 mm
<b>d - Shaft diameter</b>	50 mm



**NTN Europe**

1 rue des Usines · BP 2017 · 74010 Annecy Cedex · France · Tel. +33 (0)4 50 65 30 00  
S.A. au capital de 322 639 919 € · RCS ANNECY B 325 821 072 · Id. Fiscale : FR 48 325 821 072  
SIRET 325 821 072 00015 · Code APE 2815 Z · Code NACE 28.15

### PRODUCT DEFINITION

<b>Dz - Outer diameter of cover</b>	100 mm
<b>G - Grease fitting</b>	M6x1
<b>H - Distance mounting base to centerline spheric. seating diam.</b>	57,2 mm
<b>H1 - Housing foot height</b>	22 mm
<b>H2 - Housing height</b>	114 mm
<b>J - Mounting holes distance</b>	159 mm
<b>L - Housing length</b>	206 mm
<b>L1 - Housing foot length</b>	65 mm
<b>N - Mounting hole dimension</b>	20 mm
<b>N1 - Mounting hole length</b>	25 mm
<b>S - Distance front side/bearing centre</b>	19 mm
<b>Z - Width over covers</b>	76 mm

### PRODUCT PERFORMANCE

<b>C - Dynamic load rating</b>	35100000 mN
<b>C0 - Static load rating</b>	23200000 mN
<b>Operating temperature min.</b>	253,15 °K
<b>Operating temperature max.</b>	373,15 °K

### OTHER FEATURES

<b>Mass</b>	3,014 kg
<b>Recommended tightening torque for set screw</b>	22 N-m

