



The RS potentiometer joystick employs high quality, plastic film 10K potentiometers with 340° tracks. This joystick has an all-metal mechanism to provide the finest performance and service life over a wide range of temperatures and loads. Furthermore the 5mm shaft ensures a truly robust solution for everyday use.

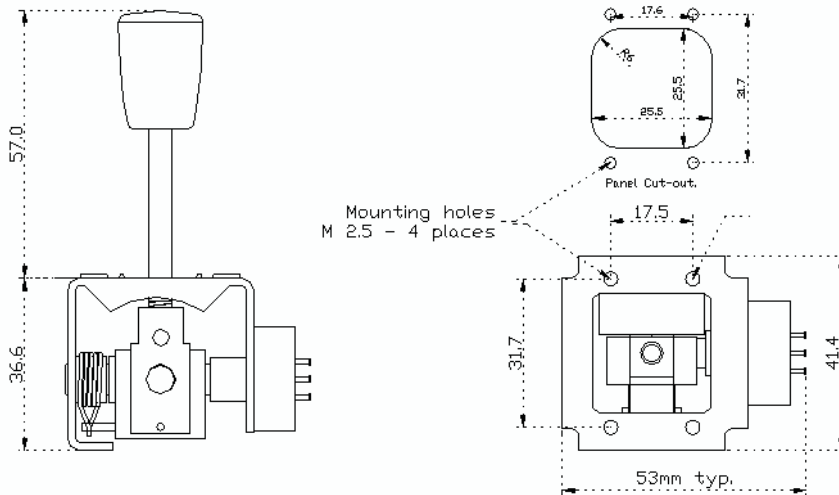
With a shaft travel angle of 55° (+/- 27.5°) a typical 12V supply would therefore result in full-scale nominal deflection from 5V to 7V, operating about a nominal 6V centre.

Designed for sub panel mount the joystick is supplied with a mounting bezel, which if required, may be affixed to the top side of the panel to complete the finish.

Being a sub panel mount product, the throw of the shaft maybe controlled by the size and shape of the panel cut-out.

The joystick is designed for use as a variable potential divider, rather than a two pin variable resistor. Noise generated by the contact resistance of the wiper to the track dictates that for optimum performance the output signals should be fed into a load of greater than 100K.

**MOUNTING DIMENSIONS**



**WIRING SPECIFICATION**

Red	+Vs
Blue	X Axis output
Yellow	Y Axis output
Black	0V

**MECHANICAL SPECIFICATION**

Frame	Pressed metal
Shafts	Stainless steel
Pivot blocks	HE30 Alloy
Alignment	+/- 0.5% of track

[www.rswww.com](http://www.rswww.com)

Many of the these Apem products are also available through the RS Components catalogue

**Switches and Indicators**



**Membrane Switchpanels**

**Joysticks**

