

Datasheet

RS SPDT 16 A Thermostat, +90°C +110°C

RS Stock number [733-4735](#)



Application

Altecnic safety limit thermostat is designed for panel or bracket mounting in a central boiler plant room in a commercial or public building. They are intended to measure and limit the maximum temperature in calorifiers, hot water cylinders and other similar appliances by measuring the surface temperature or on adjacent pipework. When the upper switching temperature 90 to 110°C has been reached the thermostat breaks the electrical circuit causing a motorised control valve to close and isolate the primary hot water supply to the appliance. The safety limit thermostat must be manually reset to restore the electrical circuit. The black protective cover is attached to the thermostat by an internal M10 x 1 thread. Allow the system to cool before unscrewing the black cover and depressing the reset button. The thermostats require two M4 x 6 long screws to mount the thermostat to the panel or bracket - not supplied. The M10 nut also helps secure the thermostat to the panel or bracket.

Technical Specification

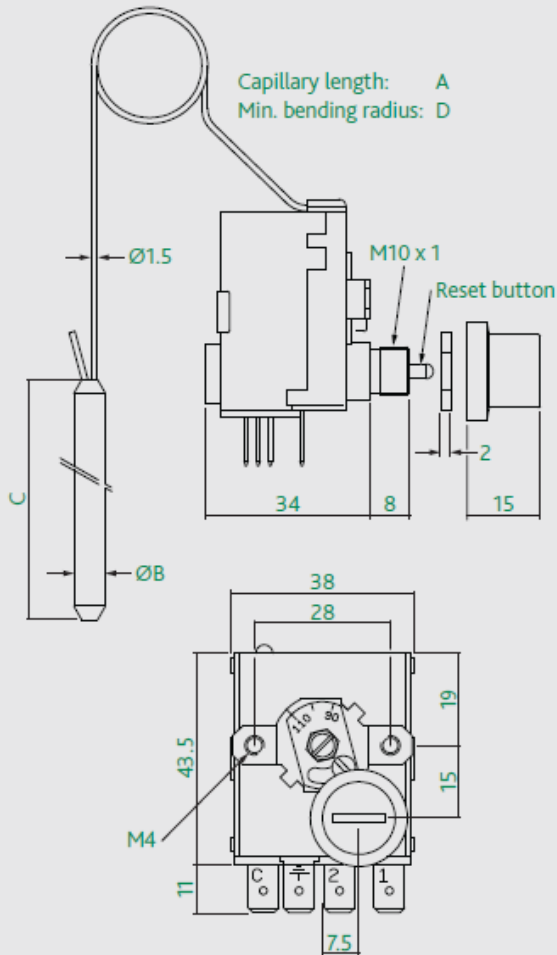
Electricity supply: 15(2.5)A / 250V AC

Switching point with thermostat at temperature: 20°C

Marked: Sensing element: Liquid filled

Capillary and sensing element material: Copper

Dimensions



Product Code	A	B	C	D
IM-LSI/541510	1m	6.5	95	5