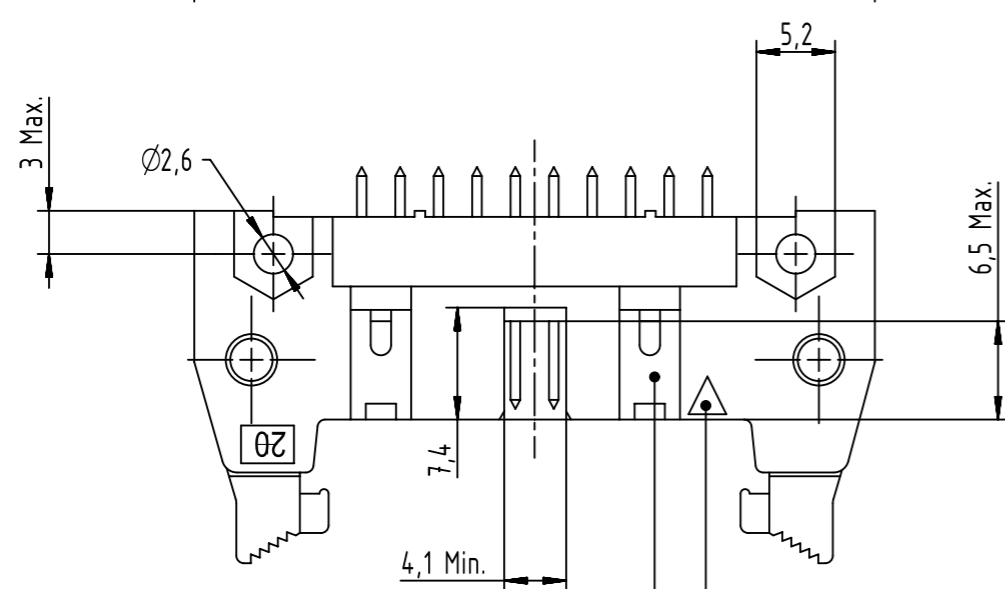
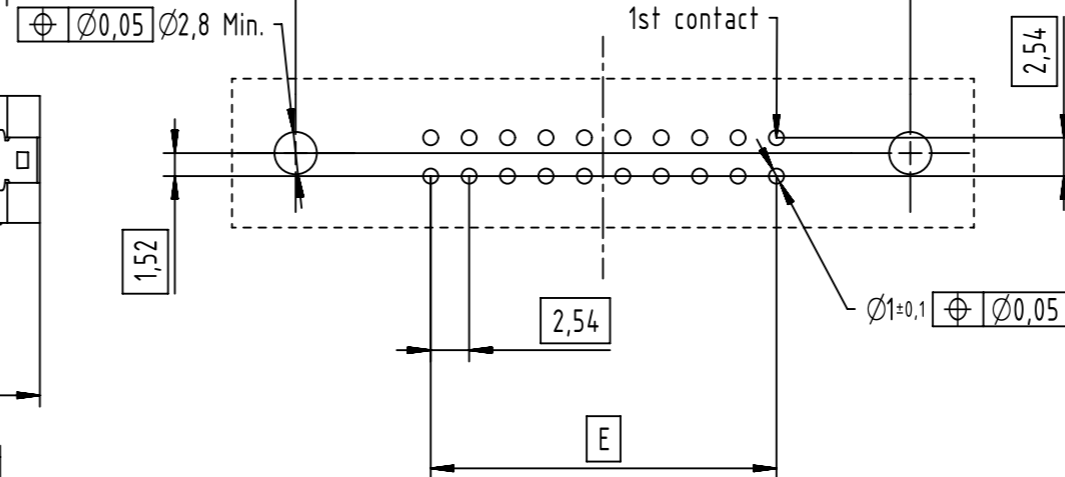
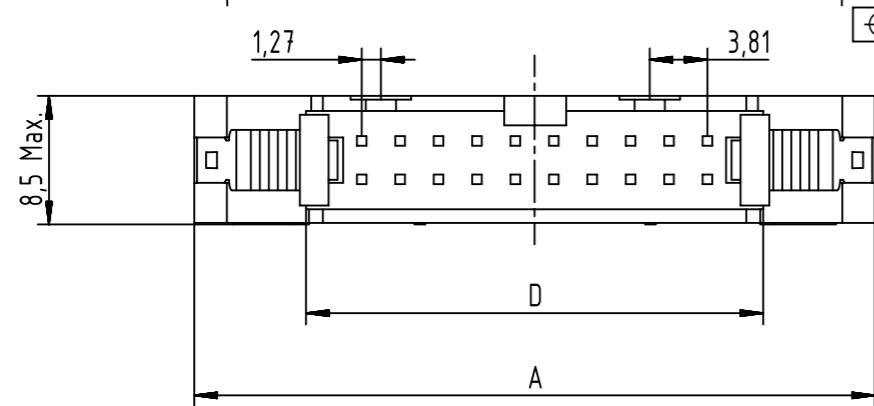


PC-Board layout
view component side
thickness up to 3,2 mm



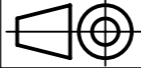
Coding style table	
	Style A: For connectors 6 poles
	Style B: For connectors from 10 to 14 poles
	Style C: For connectors from 16 to 64 poles

See table for coding
feature arrangement and style

-Technical information available on a separate document ref: DS 09181200001
-Full range of P/N's and dimensions shown on page 2/2

	All rights reserved Department EC PD - FR	Created by DOUGE	Inspected by BAGDIKIAN	Standardisation HOFFMANN	Date 2014-05-16	State Final Release	Ref. Sub.
	HARTING Electronics GmbH D-32339 Espelkamp	Title SEK 18 male STD straight with short levers				Doc-Key / ECM-Nr. 100566977/UGD/001/A 50000068837	
		Type TB	Number 09185XXX912		Rev. A	Page 1/2	

Performance Level				Dimensions					
	PL3	PL2	S4	Insulator Color	A Max	C	D	E	F
Nb of Contacts	Part Number	Part Number	Part Number		A Max	C	D	E	F
06	0918 506 7912	0918 506 6912	0918 506 5912	Grey	27,2	22,86	12,45	2,54 x 2 = 5,08	36,9
10	0918 510 7912	0918 510 6912	0918 510 5912		32,3	27,94	17,53	2,54 x 4 = 10,16	42,0
14	0918 514 7912	0918 514 6912	0918 514 5912		37,4	33,02	22,61	2,54 x 6 = 15,24	47,1
16	0918 516 7912	0918 516 6912	0918 516 5912		39,9	35,56	25,15	2,54 x 7 = 17,78	49,6
20	0918 520 7912	0918 520 6912	0918 520 5912		45,0	40,64	30,23	2,54 x 9 = 22,86	54,7
24	0918 524 7912	0918 524 6912	0918 524 5912		50,1	45,72	35,91	2,54 x 11 = 27,94	59,8
26	0918 526 7912	0918 526 6912	0918 526 5912		52,6	48,26	37,85	2,54 x 12 = 30,48	62,3
30	0918 530 7912	0918 530 6912	0918 530 5912		58,0	53,34	43,83	2,54 x 14 = 35,56	68,2
34	0918 534 7912	0918 534 6912	0918 534 5912		62,8	58,42	48,01	2,54 x 16 = 40,64	72,5
40	0918 540 7912	0918 540 6912	0918 540 5912		70,4	66,04	55,63	2,54 x 19 = 48,26	80,1
50	0918 550 7912	0918 550 6912	0918 550 5912		83,1	78,74	68,33	2,54 x 24 = 60,96	92,8
60	0918 560 7912	0918 560 6912	0918 560 5912		95,8	91,44	81,03	2,54 x 29 = 73,66	105,5
64	0918 564 7912	0918 564 6912	0918 564 5912		100,9	96,52	86,11	2,54 x 31 = 78,74	110,6
06	0918 506 7912 001	0918 506 6912 001	0918 506 5912 001		Black	27,2	22,86	12,45	2,54 x 2 = 5,08
10	0918 510 7912 001	0918 510 6912 001	0918 510 5912 001	32,3		27,94	17,53	2,54 x 4 = 10,16	42,0
14	0918 514 7912 001	0918 514 6912 001	0918 514 5912 001	37,4		33,02	22,61	2,54 x 6 = 15,24	47,1
16	0918 516 7912 001	0918 516 6912 001	0918 516 5912 001	39,9		35,56	25,15	2,54 x 7 = 17,78	49,6
20	0918 520 7912 001	0918 520 6912 001	0918 520 5912 001	45,0		40,64	30,23	2,54 x 9 = 22,86	54,7
24	0918 524 7912 001	0918 524 6912 001	0918 524 5912 001	50,1		45,72	35,91	2,54 x 11 = 27,94	59,8
26	0918 526 7912 001	0918 526 6912 001	0918 526 5912 001	52,6		48,26	37,85	2,54 x 12 = 30,48	62,3
30	0918 530 7912 001	0918 530 6912 001	0918 530 5912 001	58,0		53,34	43,83	2,54 x 14 = 35,56	68,2
34	0918 534 7912 001	0918 534 6912 001	0918 534 5912 001	62,8		58,42	48,01	2,54 x 16 = 40,64	72,5
40	0918 540 7912 001	0918 540 6912 001	0918 540 5912 001	70,4		66,04	55,63	2,54 x 19 = 48,26	80,1
50	0918 550 7912 001	0918 550 6912 001	0918 550 5912 001	83,1		78,74	68,33	2,54 x 24 = 60,96	92,8
60	0918 560 7912 001	0918 560 6912 001	0918 560 5912 001	95,8		91,44	81,03	2,54 x 29 = 73,66	105,5
64	0918 564 7912 001	0918 564 6912 001	0918 564 5912 001	100,9		96,52	86,11	2,54 x 31 = 78,74	110,6

	All Dimensions in mm Original Size DIN A3	Scale 2:1	Free size tol.	Ref.
	All rights reserved Department EC PD - FR	Created by DOUGE	Inspected by BAGDIKIAN	Standardisation HOFFMANN
HARTING Electronics GmbH D-32339 Espelkamp		Title SEK 18 male STD straight with short levers		Date 2014-05-16
		Type TB	Number 09185XXX912	State Final Release
				Doc-Key / ECM-Nr. 100566977/UGD/001/A 50000068837
				Rev. A Page 2/2