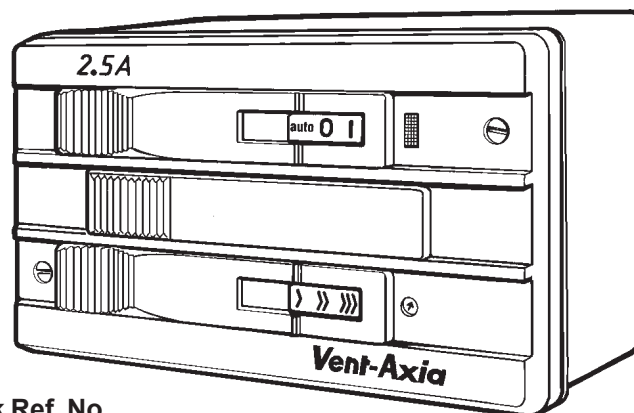


Vent-Axia®

2.5A Electronic Single Phase Speed Controller

INSTALLATION AND WIRING INSTRUCTIONS



Stock Ref. No.
W103-03-102M



On receipt of your Controller, check that:

- it is the correct rating for the size of motor.
- the voltage and frequency printed on the 2.5Amp controller rating label match the installation supply.

IMPORTANT

- WARNING THIS EQUIPMENT MUST BE EARTHED.
- MAINS SUPPLY MUST BE ISOLATED BEFORE MAKING CONNECTION.
- CONNECTION TO MAINS SUPPLY MUST BE IN ACCORDANCE WITH BS7671, CURRENT I.E.E WIRING REGULATIONS, LOCAL BUILDING AND FACTORY REGULATIONS, OR THE APPROPRIATE STANDARDS IN YOUR COUNTRY.
- ENSURE SAFETY REGULATIONS AND PRACTICES ARE ADHERED TO WHEN INSTALLING AND USING THIS EQUIPMENT.

2.5A Electronic Single Phase Speed Control

INSTALLATION AND WIRING INSTRUCTIONS

IMPORTANT

PLEASE READ ALL INSTRUCTIONS CAREFULLY BEFORE COMMENCING INSTALLATION

MOUNTING

The controller may be sited in any convenient position that is unaffected by direct heat sources such as radiators, boilers etc. Do not site the controller where it may be subject to water spray, condensation, damp or wet conditions. Ensure that the controller is installed in a ventilated area. Do not recess mount. Surface mount only.

Ensure that the enclosure is securely mounted using appropriate fixing screws or bolts.

If the enclosure is mounted on a metal surface or partition, ENSURE THAT THE SURFACE IS EARTHED.

WIRING INSTRUCTIONS

WARNING: THIS APPLIANCE MUST BE EARTHED

Ensure that mains supply is isolated before proceeding with the wiring. The installation must be provided with a double-pole isolator switch, having a contact separation of not less than 3mm, and be protected with a 5 amp fuse (U.K.).

Remove lid and connect unit in accordance with wiring diagrams overleaf.

When using surface wiring that is not being contained in conduit, the supply and output cables must be securely clipped to the mounting surface close to the controller.

If using automatic control via electro-mechanical ON/OFF switched sensor e.g. electro-mechanical thermostat, timer, relay etc. ensure sensor switch is adequately rated for the full switched fan load.

After making wiring connections, check that they are all correct and secure, replace lid.

NOTES ON RUNNING

Before switching on CHECK:

Control unit and motor/fan are secure
Earth connections have been made and are secure.

Switch on mains.

Slide control to FAN ON. Slide variable fan speed control to maximum and down to minimum to ensure motor/fan and (if present) shutter operate as intended.

MINIMUM SPEED

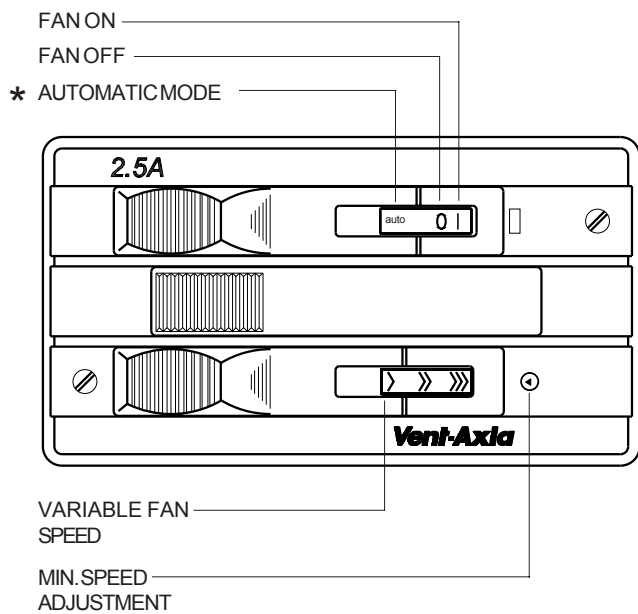
The control unit has been factory set to Vent-Axia's recommended minimum speed.

A minimum speed adjuster is located on the front of the controller and is exposed when the bottom slide bar is moved fully to the left.

This adjuster is used to vary the lowest speed setting if the fan does not revolve when the controller is set to minimum speed.

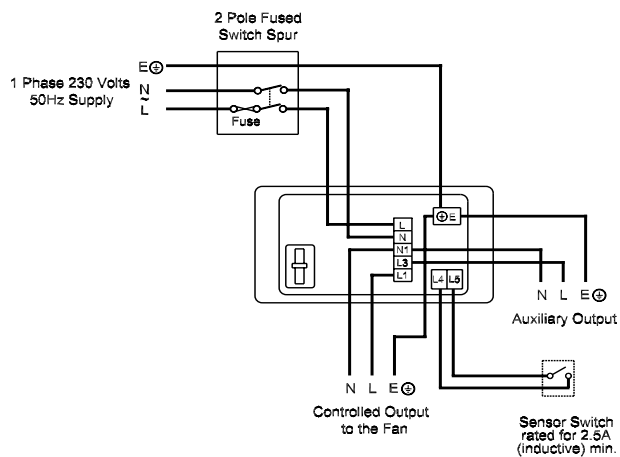
Using a small screwdriver, turn the adjuster clockwise to increase the minimum speed setting.

After any adjustment, make sure the fan will start from a stationary condition by using the ON/OFF switch with the variable speed slide knob set fully to the left (minimum speed).



* For AUTOMATIC REMOTE SWITCHING (if required) see also relevant sensor wiring instructions.
 Note: Only mechanical or electro-mechanical switched sensors should be used. Connect sensor switch leads to L4 and L5 in the terminal block. When slide switch is in the position marked, 'auto', automatic switching from sensor/switch (if fitted) will be obtained. Ensure sensor switch is adequately rated for the full switched fan load.

For SHUTTER MECHANISM (if required) see also relevant shutter wiring instructions.
 Note: Connect the shutter cable to L3 when required. (Note: The load on L3 should be kept to less than 0.25A (60W)
 Recommend the use of Vent-Axia 4 core cable when shutter application required.



VENT-AXIA SALES CENTRES

UK NATIONAL CALL CENTRE

Newton Road,
Crawley,
West Sussex RH10 9JA.
Telephone: 01293 530202
Fax: 01293 565169.

TECHNICAL SUPPORT

Telephone: 01293 526062
Fax: 01293 551188

SALES ENQUIRIES

Telephone: 01293 530202
Fax: 01293 551188

REPUBLIC OF IRELAND

Vent-Axia Ventilation Ltd.
921 Western Industrial Estate,
Naas Road,
Dublin 12.
Telephone: (01) 450 4133
Fax: (01) 450 4570.

Did you find these instructions easy to use ? We value your comments.

Contact us via:

email: info@vent-axia.com

The Vent-Axia Guarantee

Applicable only to products installed and used in the United Kingdom. For details of guarantee outside the United Kingdom contact your local supplier.

Vent-Axia guarantees its products for two years from the date of purchase against faulty material or workmanship. In the event of any part being found to be defective, the product will be repaired, or at the Company's option replaced, without charge, provided that the product:

- 1) has been installed and used in accordance with the instructions given with each unit.
- 2) has not been connected to an unsuitable electricity supply. (The correct electricity supply voltage is shown on the product rating label attached to the unit.)
- 3) has not been subjected to misuse, neglect or damage.
- 4) has not been modified or repaired by any person not authorised by the company.

IF CLAIMING UNDER TERMS OF GUARANTEE

Please return the complete product, carriage paid to your original supplier or nearest Vent-Axia Centre, by post or personal visit. Please ensure that it is adequately packed and accompanied by a letter clearly marked 'Guarantee Claim' stating the nature of the fault and providing evidence of date and source of purchase.

The guarantee is offered to you as an extra benefit, and does not affect your legal rights.

As part of the policy of continuous product improvement Vent-Axia reserves the right to alter specifications without notice.

Vent-Axia®

Head Office: Fleming Way, Crawley, West Sussex RH10 9YX
Tel: 01293 526062 Fax: 01293 551188

Internet site at: www.vent-axia.com