



C2 Compression Latch

Lever latch

- Low profile when latched
- Easy grip adjustment
- Push button actuation

Material and Finish

Zinc alloy, powder coated or chrome plated and steel, zinc plated

Performance Details

Max. static load: 200 N (45 lbf)

Installation Notes

* Serrated Mounting Screw M5 x 16. For door thickness greater than 5 (.20) calculate screw length using the following formula:
Door thickness + 12 (.47)

Keys

See page 58

Accessories

Rubber Bumper:
Part Number: C2-25-301-82



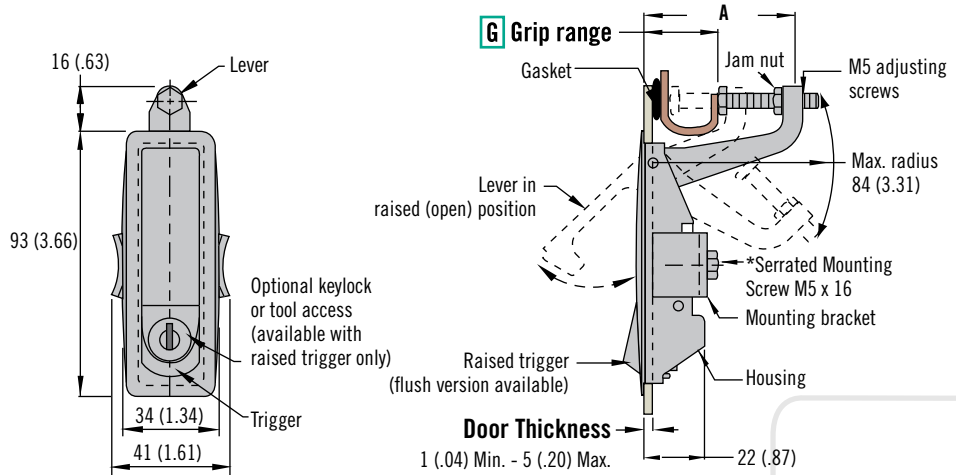
Keys

See page 58

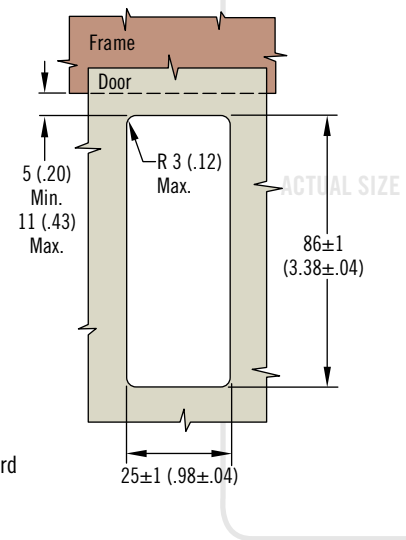
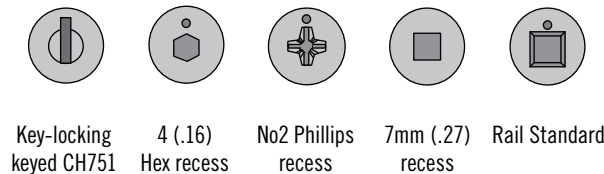
Part Number Selection

Notes

For lock core selection and a complete overview of the *SOUTHCO*[®] Key-Choice System see pages 182 - 183



L Lock Styles



L Lock style

- 1 Non-locking raised trigger
- 2 Key-locking raised trigger keyed CH751 (two flat keys supplied)
- 3 Flush trigger non-locking
- 4 4 (.16) Hex recess raised trigger
- 10 No. 2 Phillips raised trigger
- 11 7mm Square
- 13 Locking without lock core (see pages 182 - 183 for lock core options)
- 14 Railway standard

F Finish

- 1 Textured chrome
- 5 Black powder coated

P Packaging option

- 3 Latches are sold layer packed. Omit for individually packaged latches.

C2 - 3 G - L F - P

G Grip Range	A
2	1 - 24 (.04 - .95) 35 (1.38)
3	23 - 46 (.91 - 1.81) 57 (2.24)

Dimensions in millimeters (inch) unless otherwise stated