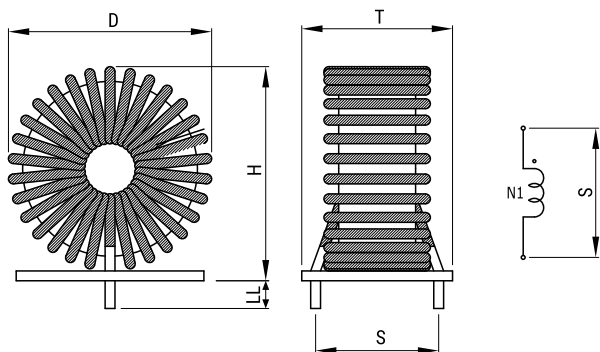


KEMET Part Number: SN14P-300J
(UALSN14P300J00)

KEMET, SN-J, AC Line Filters, Normal Mode, 80 uH



Dimensions

D	35mm MAX
T	25mm MAX
H	37mm MAX
LL	4.5mm +/-1mm
S	20mm NOM

Packaging Specifications

Packaging:	Tray
Weight:	56 g

General Information

Series:	SN-J
Style:	Through-Hole
RoHS:	Yes
Miscellaneous:	Temperature Rise Maximum: 77 K

Specifications

Inductance:	80 uH (0.1 MHz)
Current:	15 A
Temperature Range:	-25/+120°C
DC Resistance:	15 mOhms