

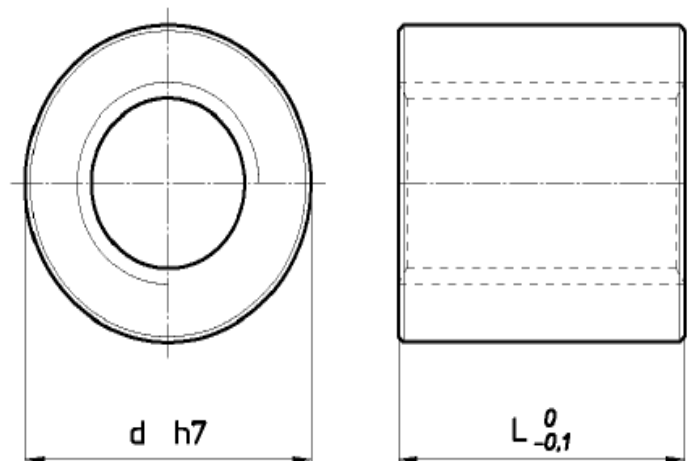
# Datasheet

## RS Trapezoidal Nut Type HBD - Cylindrical Bronze

Material EN 1982 Cu Sn7 Zn4 Pb7-C - CC493K



chamfer 1x45°



Cylindrical bronze nut for movement with modest loads compared with FXN, HDL and HAL. Good lubrication is recommended.

| RS Number | Screw Type  | Material                                | Screw | Diameter x lead | Thread starts | d mm | L mm | Wt. kg/each | At mm <sup>2</sup> (1) |
|-----------|-------------|---|-------|-----------------|---------------|------|------|-------------|------------------------|
| 8625345   | Trapezoidal | Bronze EN 1982 Cu Sn7 Zn4 Pb7-C -CC493K | Right | Tr 10x2         | 1             | 22   | 20   | 0.058       | 200                    |
| 8625354   | Trapezoidal | Bronze EN 1982 Cu Sn7 Zn4 Pb7-C -CC493K | Right | Tr 12x3         | 1             | 26   | 24   | 0.094       | 396                    |
| 8625357   | Trapezoidal | Bronze EN 1982 Cu Sn7 Zn4 Pb7-C -CC493K | Right | Tr 14x3         | 1             | 30   | 28   | 0.146       | 526                    |
| 8625351   | Trapezoidal | Bronze EN 1982 Cu Sn7 Zn4 Pb7-C -CC493K | Right | Tr 16x4         | 1             | 36   | 32   | 0.245       | 704                    |
| 8625360   | Trapezoidal | Bronze EN 1982 Cu Sn7 Zn4 Pb7-C -CC493K | Right | Tr 18x4         | 1             | 40   | 36   | 0.337       | 905                    |
| 8625363   | Trapezoidal | Bronze EN 1982 Cu Sn7 Zn4 Pb7-C -CC493K | Right | Tr 20x4         | 1             | 45   | 40   | 0.476       | 1130                   |
| 8625367   | Trapezoidal | Bronze EN 1982 Cu Sn7 Zn4 Pb7-C -CC493K | Right | Tr 22x5         | 1             | 45   | 40   | 0.456       | 1225                   |
| 8625376   | Trapezoidal | Bronze EN 1982 Cu Sn7 Zn4 Pb7-C -CC493K | Right | Tr 24x5         | 1             | 50   | 48   | 0.680       | 1620                   |

(1) Total bearing surface between screw and nut teeth on plane perpendicular to axis.