

DESCRIPTION: 971 SERIES D-SUB BACKSHELL

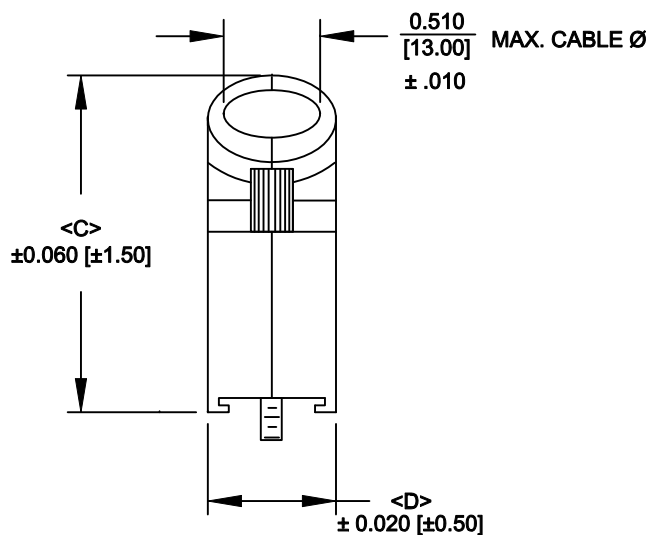
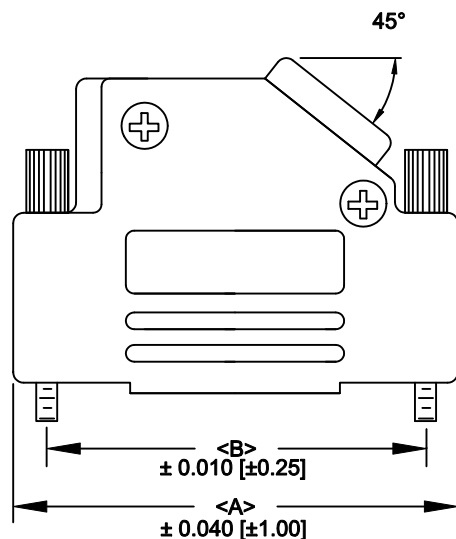
971-YYY-030R121

**BACKSHELL KIT INCLUDES:**

- (2) BACKSHELL HALVES
- (2) 4-40 THUMBSCREWS
- (2) HOUSING SCREWS
- (1) COMPRESSION INSERTS - VARIOUS SIZES  
 $\varnothing 0.157$  [4.0],  $\varnothing 0.197$  [5.0],  $\varnothing 0.276$  [7.0],  $\varnothing 0.354$  [9.0]

SERIES \_\_\_\_\_  
 POSITIONS \_\_\_\_\_  
 009 \_\_\_\_\_  
 015 \_\_\_\_\_  
 025 \_\_\_\_\_  
 037 \_\_\_\_\_  
 MATERIAL \_\_\_\_\_  
 030 = ZINC \_\_\_\_\_  
 COLOR: \_\_\_\_\_  
 12 = NICKEL OVER COPPER \_\_\_\_\_  
 PUT-UPS \_\_\_\_\_  
 1 = KIT \_\_\_\_\_


NOTE: 9 POSITION HAS ONLY 1 THUMBSCREW  
 (OPPOSITE CABLE ENTRY)



POS.	A	B	C	D
9	1.220	.984	1.429	.570
	30.99	24.99	36.30	14.48
15	1.556	1.312	1.587	.570
	39.50	33.32	40.30	14.48
25	2.094	1.852	1.587	.570
	53.20	47.04	40.30	14.48
37	2.744	2.500	1.587	.570
	69.70	63.50	40.30	14.48

MATERIAL: DIE CAST ZINC ALLOY  
 PLATING: NICKEL OVER COOPER  
 JACKSCREWS: STEEL, ZINC PLATED  
 HOOD SCREWS: STEEL, ZINC PLATED  
 COMPRESSION INSERTS: ABS UL 94-HB  
 OPERATING TEMP: -40°C to +120°C

RoHS COMPLIANT

	THESE DRAWINGS AND SPECIFICATIONS ARE THE PROPERTY OF NorComp AND SHALL NOT BE REPRODUCED, COPIED OR USED AS THE BASIS FOR THE MANUFACTURE OR SALE OF APPARATUS WITHOUT WRITTEN PERMISSION.		DRAWN: <b>PAM JENKINS</b>	DATE: <b>6-10-05</b>
	<h1>NorComp</h1>			CHECKED:
SCALE				SHEET <b>1</b> OF <b>1</b>
DWG NO. <b>971-YYY-030R121</b>				