

## Features

- 13mm x 19mm panel cutout
- 10A / 250VAC
- 50,000 mechanical cycles
- SPST, SPDT
- Non illuminated and illuminated versions
- Splash proof cap accessory

## RS PRO Rocker Switches

RS Stock No.: 793-2471, 793-2468, 793-2443,  
793-2456



RS PRO is the own brand of RS. The RS PRO Seal of Approval is your assurance of professional quality, a guarantee that every part is rigorously tested, inspected, and audited against demanding standards. Making RS PRO the Smart Choice for our customers.

## Product Description

*Small, stylish and reliable rocker switches manufactured in Europe. Designed for panel mount applications with 13x19mm panel hole size.*

- *Single pole on-off latching, changeover & red illuminated*
- *Suitable for small appliances, consumer electronics, panels & small machinery and equipment*
- *Splash proof cap available for IP65 rating*

## General Specifications

	793-2471	793-2468	793-2443	793-2456
RS Code:				
Contact Configuration	SPST	SPST	SPDT	SPST
Switch Operation	On-Off, Latching	On-Off, Latching	On-On, Changeover	On-Off, Latching
Illuminated	No	Yes	No	No
Actuator Colour	Black	Red	Black	Red
Actuator Shape	Rectangular	Rectangular	Rectangular	Rectangular
Legend Text	0 I	NA	NA	NA
Legend Text Colour	White	NA	NA	NA
Contact Material	Copper alloy, silver plated			
Case Material	PA66			
Actuator Style	Rocker			
Lamp Type	Neon			

## Electrical Specifications

RS Code:	793-2471, 793-2443, 793-2456	793-2468
Contact Current Rating	10(4)A	13(4)A
	Resistive load (inductive load)	
AC Voltage Rating	250VAC	
Terminal Type	Blade	
Termination Style	Quick Connect 4.8x0.8mm	
Illumination Voltage	250VAC	

## Mechanical Specifications

Panel Cut Out Size	13x19 mm
Panel Cut Out Width	13mm
Panel Cut Out Height	19mm
Mounting Type	Panel
Mechanical Life	50000 Operations
Unit Weight	4g

## Operation Environment Specifications

Operating Temperature Range	Housing 125°C / Rocker 55 °C
-----------------------------	------------------------------

## Protection Category

IP Rating	IP40 – IP65 if used with Splash proof cap 793-2474
-----------	--

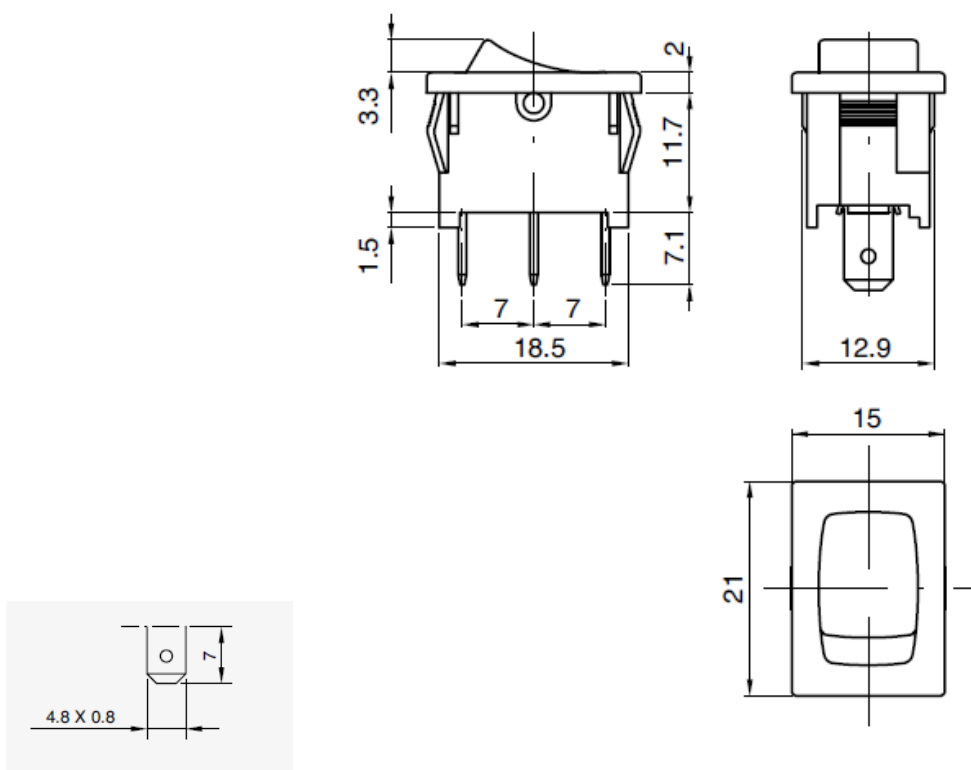
## Classification

Class of Appliance	II
--------------------	----

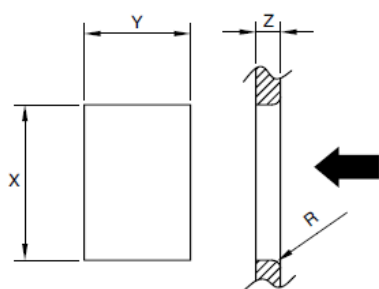
## Approvals

Compliance/Certifications	EN 61058-1, UL 61058-1, ENEC, UL, CE
Declarations	GWFI 850°C heat and fire resistance

## CONSTRUCTIONAL DIAGRAM/CIRCUIT DIAGRAMS



### Panel Cutout



Z	Y		X	
0,75 ... 1,25	13,0	±0,1	19,0	$\begin{matrix} +0,2 \\ 0 \end{matrix}$
1,25 ... 2,0	13,0	±0,1	19,3	$\begin{matrix} +0,2 \\ 0 \end{matrix}$
2,0 ... 3,0	13,0	±0,1	19,6	$\begin{matrix} +0,2 \\ 0 \end{matrix}$

**Accessory – Splash Proof Cap RS Code 793-2474**

**For IP65 protection if fitted correctly to switch.**



## Related Products – 13x19mm Indicator Lights

**RS Codes: 1917783, 1917784, 1917786**