

Preparation of compressed air → Maintenance units and components

Pressure regulator, Series AS2-RGS

► G 1/4 - G 3/8 ► Qn = 2200 - 2700 l/min ► Activation : mechanical ► lockable ► ATEX certified



00119369

ATEX	II 2G2D T4 X
Regulator type	Diaphragm-type pressure regulator, Can be assembled into blocks
Function	with relieving air exhaust
Lock type	with padlock
Installation location	Any
Pressure supply	single
Ambient temperature min./max.	-10 °C / +50 °C
Medium temperature min./max.	-10 °C / +50 °C
Working pressure min./max.	See table below
Adjustment range min./max.	See table below
Medium	Compressed air
Materials:	
Housing	Polyamide
Cover	Acrylonitrile butadiene styrene
Seal	Acrylonitrile Butadiene Rubber

Technical Remarks

- The pressure dew point must be at least 15 °C under ambient and medium temperature and may not exceed 3 °C.

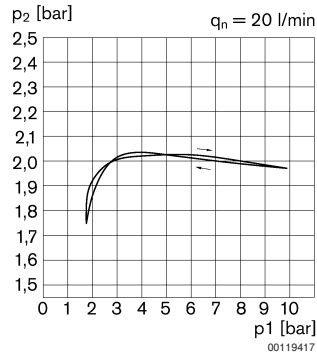
	Port	Qn	Working pressure		Adjustment range	Weight	Part No.
			min./max.	min. - max..			
		[l/min]	[bar]	[bar]	[kg]		
	G 1/4	2200	0.1 / 16	0.1 - 1	0.32	R412006101	
	G 1/4	2200	0.1 / 16	0.1 - 2		R412006103	
	G 1/4	2200	0.2 / 16	0.2 - 4		R412006105	
	G 1/4	2200	0.5 / 16	0.5 - 8		R412006107	
	G 1/4	2200	0.5 / 16	0.5 - 10		R412006109	
	G 1/4	2200	0.5 / 16	0.5 - 16		R412006111	
	G 3/8	2700	0.1 / 16	0.1 - 1		R412006113	
	G 3/8	2700	0.1 / 16	0.1 - 2		R412006115	
	G 3/8	2700	0.2 / 16	0.2 - 4		R412006117	
	G 3/8	2700	0.5 / 16	0.5 - 8		R412006119	
	G 3/8	2700	0.5 / 16	0.5 - 10		R412006121	
	G 3/8	2700	0.5 / 16	0.5 - 16		R412006123	
		G 1/4	2200	0.1 / 16		0.1 - 1	0.248
G 1/4		2200	0.1 / 16	0.1 - 2	R412006102		
G 1/4		2200	0.2 / 16	0.2 - 4	R412006104		
G 1/4		2200	0.5 / 16	0.5 - 8	R412006106		
G 1/4		2200	0.5 / 16	0.5 - 10	R412006108		
G 1/4		2200	0.5 / 16	0.5 - 16	R412006110		
G 3/8		2700	0.1 / 16	0.1 - 1	R412006112		
G 3/8		2700	0.1 / 16	0.1 - 2	R412006114		
G 3/8		2700	0.2 / 16	0.2 - 4	R412006116		
G 3/8		2700	0.5 / 16	0.5 - 8	R412006118		
G 3/8		2700	0.5 / 16	0.5 - 10	R412006120		
G 3/8		2700	0.5 / 16	0.5 - 16	R412006122		

Nominal flow Qn at 6.3 bar and $\Delta p = 1$ bar.

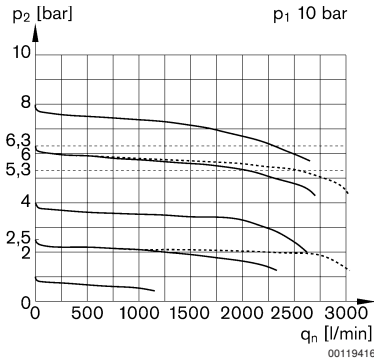
Preparation of compressed air → Maintenance units and components

Pressure regulator, Series AS2-RGS

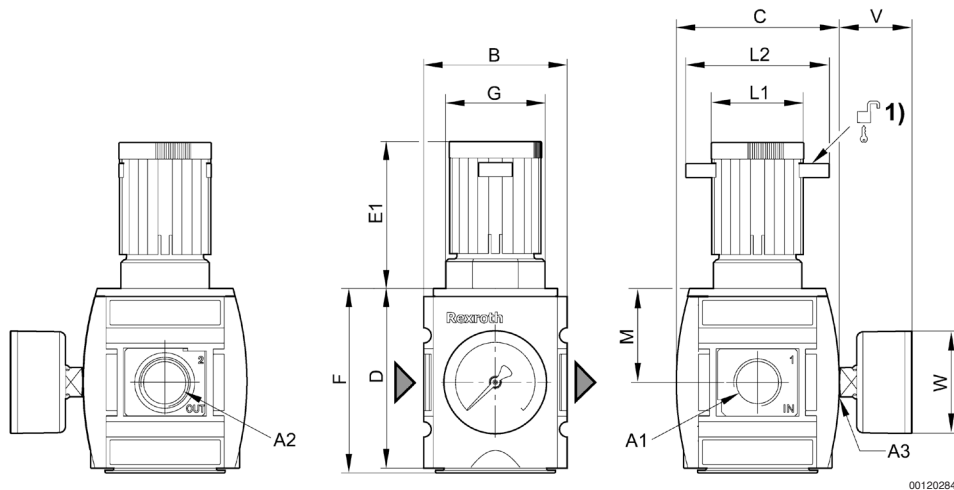
▶ G 1/4 - G 3/8 ▶ Qn = 2200 - 2700 l/min ▶ Activation : mechanical ▶ lockable ▶ ATEX certified

Pressure characteristics curve

p1 = working pressure; p2 = secondary pressure; qn = nominal flow

Flow rate characteristic (p2: 0,5 - 8 bar)

p1 = working pressure; p2 = secondary pressure; qn = nominal flow

Dimensions

1) Mounting option for padlocks; max. shackle Ø 8

Preparation of compressed air → Maintenance units and components

Pressure regulator, Series AS2-RGS

► G 1/4 - G 3/8 ► Qn = 2200 - 2700 l/min ► Activation : mechanical ► lockable ► ATEX certified

A1	A2	A3	B	C	D	E1	F	G	L1	L2	M	V
G 1/4	G 1/4	G 1/4	52	59	65	57.9	66.8	M36x1,5	34	54	34	37
G 3/8	G 3/8	G 1/4	52	59	65	57.9	66.8	M36x1,5	34	54	34	37
A1	W											
G 1/4	50											
G 3/8	50											
