



Terminals & Splices > Automotive Terminals > TIMER, RECEPTACLE AND TAB



Terminal & Splice Type: **Receptacle**

Mating Tab Width: **5.8 mm, 6.3 mm** [.228 in, .248 in]

Mating Tab Thickness: **.8 mm** [.031 in]

Terminal Transmits: **0 – 24 A (Low Power)**

Wire Size: **.5 – 1 mm²**

[All TIMER, RECEPTACLE AND TAB \(362\)](#)

Features

Product Type Features

Receptacle Style	180°
Sealable	No
Primary Locking Feature	Locking Lance
Automotive Terminal Wire Type	Copper

Contact Features

Typical Current Rating	40 A
Crimp Type	F-Crimp
Terminal & Splice Type	Receptacle
Mating Tab Width	5.8 mm, 6.3 mm [.228 in][.248 in]
Mating Tab Thickness	.8 mm [.031 in]
Automotive Terminal Interface Plating	Tin (Sn)
Contact Termination Area Plating Material	Tin (Sn)

Termination Features

Automotive Terminal Termination Method	Crimp
--	-------

Dimensions

Wire Size	.5 – 1 mm ²
Wire Size Search	.5 mm ² , .6 mm ² , .75 mm ² , .85 mm ² , 1 mm ²

Wire Insulation Diameter	1.3 – 2.1 mm [.055 – .083 in]
--------------------------	-------------------------------

Usage Conditions

Operating Temperature (Max)	80 °C, 85 °C, 90 °C, 100 °C, 105 °C, 110 °C, 120 °C, 125 °C, 130 °C [176 °F][185 °F][194 °F][212 °F][221 °F][230 °F][248 °F][257 °F][266 °F]
-----------------------------	--

Operating Temperature Range	-40 – 130 °C [-40 – 266 °F]
-----------------------------	-----------------------------

Industry Standards

Agency/Standard	IEC 664/664A (DIN VDE 0110)
-----------------	-----------------------------

Packaging Features

Packaging Method	Reel
------------------	------

Packaging Quantity	2300
--------------------	------

Other

Terminal Transmits	0 – 24 A (Low Power)
--------------------	----------------------

Product Compliance

[For compliance documentation, visit the product page on TE.com>](#)

EU RoHS Directive 2011/65/EU	Compliant
------------------------------	-----------

EU ELV Directive 2000/53/EC	Compliant
-----------------------------	-----------

China RoHS 2 Directive MIIT Order No 32, 2016	No Restricted Materials Above Threshold
---	---

EU REACH Regulation (EC) No. 1907/2006	Current ECHA Candidate List: JUN 2020 (209) Candidate List Declared Against: JUN 2020 (209) Does not contain REACH SVHC
--	---

Halogen Content	Low Halogen - Br, Cl, F, I < 900 ppm per homogenous material. Also BFR/CFR/PVC Free
-----------------	---

Solder Process Capability	Not applicable for solder process capability
---------------------------	--

Product Compliance Disclaimer

This information is provided based on reasonable inquiry of our suppliers and represents our current actual knowledge based on the information they provided. This information is subject to change. The part numbers that TE has identified as EU RoHS compliant have a maximum concentration of 0.1% by weight in homogenous materials for lead, hexavalent chromium, mercury, PBB, PBDE, DBP, BBP, DEHP, DIBP, and 0.01% for cadmium, or qualify for an exemption to these limits as defined in the Annexes of Directive 2011/65/EU (RoHS2). Finished electrical and electronic equipment products will be CE marked as required by Directive 2011/65/EU. Components may not be CE marked. Additionally, the part numbers that TE has identified as EU ELV compliant have a maximum concentration of 0.1% by weight in homogenous materials for lead, hexavalent chromium, and mercury, and 0.01% for cadmium, or qualify for an exemption to these limits as defined in the Annexes of Directive 2000/53/EC (ELV). Regarding the REACH Regulation, the information TE provides

on SVHC in articles for this part number is based on the latest European Chemicals Agency (ECHA) 'Guidance on requirements for substances in articles' posted at this URL: <https://echa.europa.eu/guidance-documents/guidance-on-reach>

Compatible Parts



TE Model / Part # 2305570-1
TERMINAL CUTTER, SIDE FEED



TE Model / Part # 1-1579007-6
EXTRACTION TOOL



TE Model / Part # CAT-T4827-CH8172
TIMER, CONNECTOR HOUSING



TE Model / Part # CAT-M9194-CH8172
MULTILOCK, CONNECTOR HOUSING



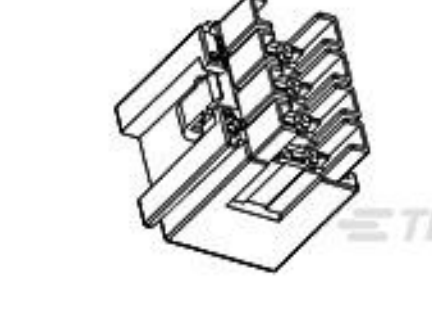
TE Model / Part # 2836290-1
OCEAN_2.0_APPLICATOR-S-081F110OV



TE Model / Part # 4-1579007-3
EXTRACTION TOOL KIT



TE Model / Part # 185402-2
MODULAR RELAY HOLDER



TE Model / Part # 185847-2
AUTOFUSE HOLDER BLACK



TE Model / Part # 185403-1
MODULAR RELAY HOLDER



TE Model / Part # 185402-1
MODULAR RELAY HOLDER



TE Model / Part # 185403-2
MODULAR RELAY HOLDER



TE Model / Part # 282159-1
FUSE HOLDER W/S LOCK STD



TE Model / Part # 282435-2
MODULAR RELAY HOUSING



TE Model / Part # 185403-4
MODULAR RELAY HOLDER



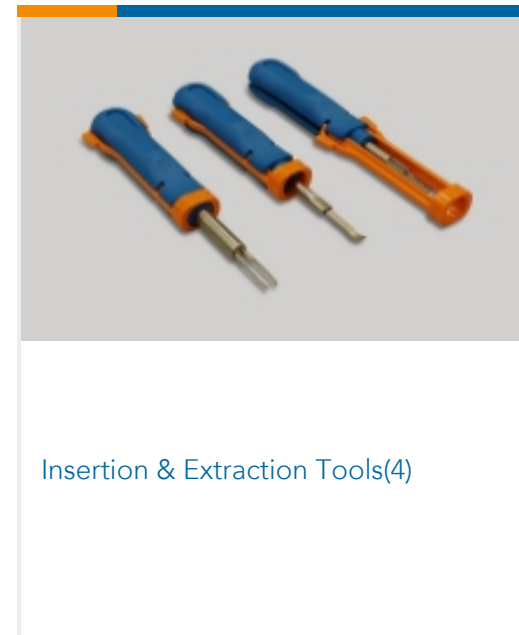
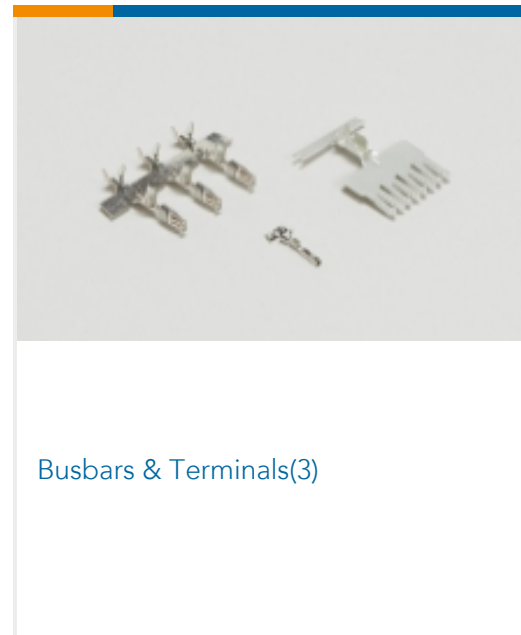
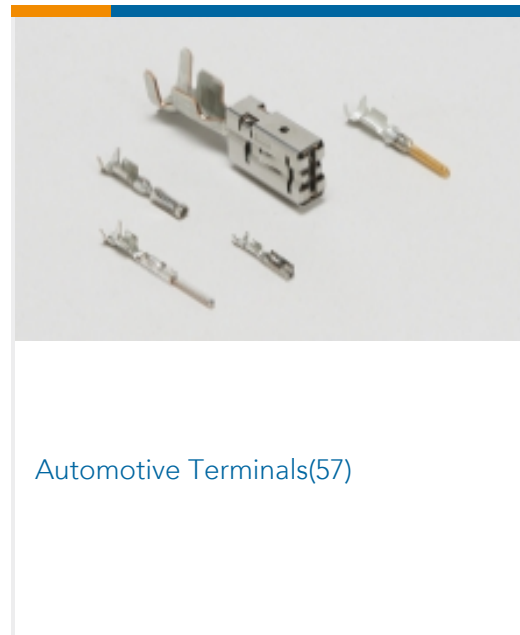
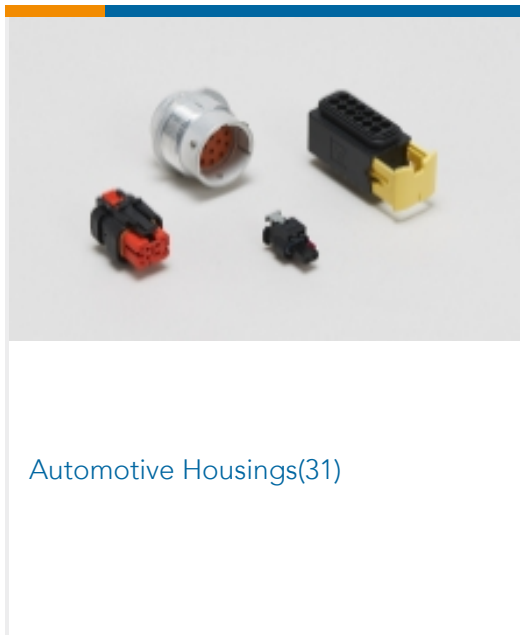
TE Model / Part # 1380006-1
MINI RELAY SUPPORT



TE Model / Part # 185847-1
AUTOFUSE HOLDER WHITE



Also in the Series | Standard Power Timer



Customers Also Bought





Documents

Product Drawings

[SPT REC 6.3 Contact SRC Sn](#)

English

[SPT REC 6.3 Contact SRC Sn](#)

English

CAD Files

[3D PDF](#)

3D

[Customer View Model](#)

[ENG_CVM_CVM_927831-2_C.2d_dxf.zip](#)

English

[Customer View Model](#)

[ENG_CVM_CVM_927831-2_C.3d_igs.zip](#)

English

[Customer View Model](#)

[ENG_CVM_CVM_927831-2_C.3d_stp.zip](#)

English

By downloading the CAD file I accept and agree to the [Terms and Conditions](#) of use.

Datasheets & Catalog Pages

[Timer Interconnection System](#)

English

Product Specifications

[Application Specification](#)

German

[Application Specification](#)

German

[Application Specification](#)

English

[Application Specification](#)

English

Product Environmental Compliance

[MD_927831-2_111620181047_dmtec](#)

English

[MD_927831-2_111620181047_dmtec](#)

English