

UCS 145-125-F-GD-RPI 7035 - Universal housings



1019749

<https://www.phoenixcontact.com/gb/products/1019749>

Please be informed that the data shown in this PDF document is generated from our online catalog. Please find the complete data in the user documentation. Our general terms of use for downloads are valid.



Complete housing for printed-circuit boards. Includes housing half shells, side panels with openings for all relevant connections, adhesive pads for affixing the Raspberry Pi model B2 and B3 computers, screws for housing and PCB attachment; light gray housing with turquoise-blue corner inlays

Your advantages

- High degree of application flexibility, thanks to the modular housing design
- Flexible PCB attachment, adapts to virtually all form factors
- Practical customization options
- Reduced logistics outlay, thanks to components which are compatible with one another
- Delivery as a complete housing with ready-machined side panels

Commercial data

Item number	1019749
Packing unit	1 pc
Minimum order quantity	1 pc
Sales key	ACFCAA
Product key	ACFCAA
GTIN	4055626506982
Weight per piece (including packing)	396.5 g
Weight per piece (excluding packing)	396.5 g
Customs tariff number	84879090
Country of origin	DE

Technical data

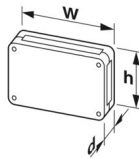
Notes

Assembly note	The housing can be opened a maximum of 10 times.
Note on application	Attach the adhesive pads: Make sure that the surface of the housing is clean, dry, and free of grease. Temperature range: +18°C ... +30°C / Closing pressure force: 60 N / Closing pressure time: 3 s
General	Please observe the application note in the download area.

Product properties

Product type	Complete housing
Housing type	Universal housings
Housing series	UCS
Product family	UCS 145-125
Number (Connection openings)	6
Type	Flat design (GD), RPI
Ventilation openings present	no

Dimensions

Dimensional drawing	
Width	145 mm
Height	125 mm
Depth	47 mm
Dimensions	120 mm x 62 mm (Maximum circuit board dimensions)

PCB design

PCB thickness	0.8 mm ... 3 mm
---------------	-----------------

Material specifications

Color (Housing)	light gray (RAL 7035)
Color (Corner inlay)	turquoise green (RAL 5018)
Material (Housing)	PC
Material (Corner inlay)	PA
Flammability rating according to UL 94	V0
CTI according to IEC 60112	225
Surface characteristics	untreated

Environmental and real-life conditions

Power dissipation single housing for 20 °C

1019749

<https://www.phoenixcontact.com/gb/products/1019749>

Ambient temperature	20 °C
Reduction factor	1
Mounting position	vertical
Power dissipation	11 W

Power dissipation single housing for 30 °C

Ambient temperature	30 °C
Reduction factor	0.85
Mounting position	vertical
Power dissipation	9.4 W

Power dissipation single housing for 40 °C

Ambient temperature	40 °C
Reduction factor	0.7
Mounting position	vertical
Power dissipation	7.7 W

Power dissipation single housing for 50 °C

Ambient temperature	50 °C
Reduction factor	0.55
Mounting position	vertical
Power dissipation	6 W

Power dissipation single housing for 60 °C

Ambient temperature	60 °C
Reduction factor	0.4
Mounting position	vertical
Power dissipation	4.4 W

Vibration test

Specification	IEC 60068-2-6:2007-12
Frequency	10 - 150 - 10 Hz
Sweep speed	1 octave/min
Amplitude	0.15 mm (10 Hz ... 58.1 Hz)
Acceleration	2g (58.1 Hz ... 150 Hz)
Test duration per axis	2.5 h
Test directions	X-, Y- and Z-axis

Glow-wire test

Specification	IEC 60695-2-11:2014-02
Temperature	850 °C
Time of exposure	30 s

Thermal stability / ball thrust test

Specification	IEC 60695-10-2:2014-02
Temperature	125 °C
Test duration	1 h

Force	20 N
-------	------

Mechanical strength / tumbling barrel

Specification	IEC 60068-2-31:2008-05
Height of fall	50 cm
Frequency	50

Shocks

Specification	IEC 60068-2-27:2008-02
Pulse shape	Half-sine
Acceleration	15g
Shock duration	11 ms
Number of shocks per direction	3
Test directions	X-, Y- and Z-axis (pos. and neg.)

Test for substances that would hinder coating with paint or varnish

Specification	VW PV 3.10.7:2005-02
Result	Test passed

Degree of protection (IP code)

Specification	IEC 60529:1989-11 + AMD 1:1999-11 + AMD 2:2013-08
Result, degree of protection, IP code	IP20

Ambient conditions

Max. IP code to attain	IP20
Ambient temperature (operation)	-40 °C ... 105 °C (depending on power dissipation)
Ambient temperature (storage/transport)	-40 °C ... 55 °C
Ambient temperature (assembly)	-5 °C ... 100 °C
Relative humidity (storage/transport)	80 %

PCB data

Number of PCB holders	1
Type of PCB mount	Bolt mounting
Total PCB surface	12000 mm ²
Thickness of the PCB	0.8 mm ... 3 mm
Supported form factors	Raspberry Pi
Note on PCB holders	This product is prepared for a printed-circuit board. Additional printed-circuit boards can be mounted using adhesive pads (accessories).

Mounting

Mounting type	Screw mounting
Mounting position	any
Tightening torque / speed	Screw connection between housing halves: 1.2 - 1.4 Nm / 500 - 1000 rpm Mounting the PCB: 0.4 - 0.5 Nm / 500 - 1000 rpm

Packaging specifications

UCS 145-125-F-GD-RPI 7035 - Universal housings



1019749

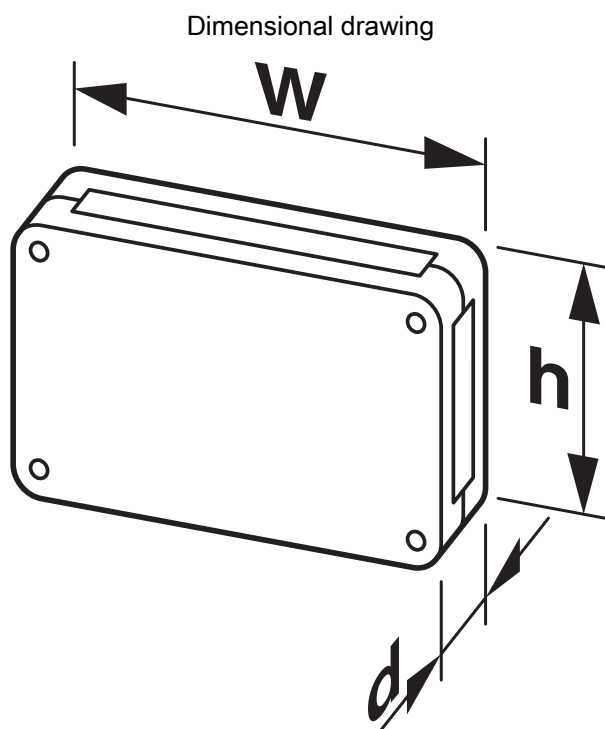
<https://www.phoenixcontact.com/gb/products/1019749>

Type of packaging	Box packaging
-------------------	---------------

1019749

<https://www.phoenixcontact.com/gb/products/1019749>

Drawings



Schematic representation – for additional information, see product range drawing in the Download Center

UCS 145-125-F-GD-RPI 7035 - Universal housings



1019749

<https://www.phoenixcontact.com/gb/products/1019749>

Approvals

To download certificates, visit the product detail page: <https://www.phoenixcontact.com/gb/products/1019749>



UL Recognized

Approval ID: E240868

1019749

<https://www.phoenixcontact.com/gb/products/1019749>

Classifications

ECLASS

ECLASS-13.0

27190104

ETIM

ETIM 9.0

EC001031

UNSPSC

UNSPSC 21.0

31261500

1019749

<https://www.phoenixcontact.com/gb/products/1019749>

Environmental product compliance

EU RoHS

Fulfills EU RoHS substance requirements	Yes, No exemptions
---	--------------------

China RoHS

Environment friendly use period (EFUP)	EFUP-E
	No hazardous substances above the limits

EU REACH SVHC

REACH candidate substance (CAS No.)	Perfluorobutane sulfonic acid (PFBS) and its salts(CAS: n/a)
-------------------------------------	--

Phoenix Contact 2025 © - all rights reserved
<https://www.phoenixcontact.com>

PHOENIX CONTACT Ltd
Halesfield 13, Telford
Shropshire, TF7 4PG
01952 681700
info@phoenixcontact.co.uk